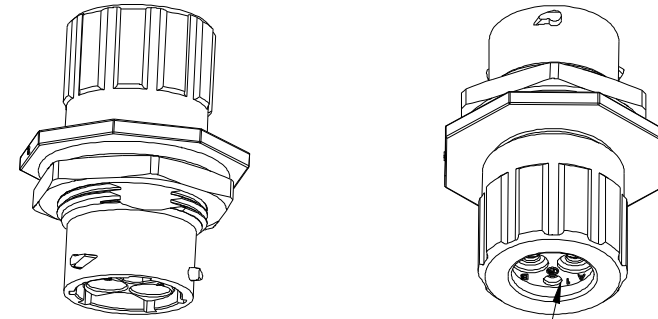
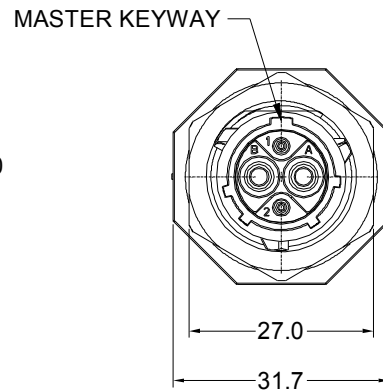
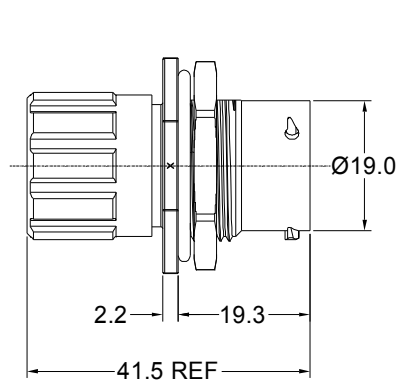


REVISIONS					
REV	ECO	DESCRIPTION	DATE	BY	APPR
A1	-	FIRST RELEASED	Jun-14-2018	Blink	Tommy
A2	-	UPDATE DESCRIPTION AND VOLTAGE	SEP-23-2021	BLINK	TOMMY



NOTES : (UNLESS OTHERWISE SPECIFIED)

1. MATERIAL :

- SHELL : THERMOPLASTIC , UL94 V-0.
- INSERT : THERMOPLASTIC , UL94 V-0.
- O-RING : NBR OR SILICONE RUBBER.
- SEAL GASKET : NBR OR SILICONE RUBBER.
- END CAP : THERMOPLASTIC , UL94 V-0.
- PLASTIC RING:THERMOPLASTIC , UL94 V-0.
- WIRE SEAL : SILICONE RUBBER.

2. SPECIFICATIONS :

2.1 RATED CURRENT :

- 2.1.1 2.5MM CONTACT 23A (MAX).
- 2.1.2 20# CONTACT 5A (MAX).

2.2 RATED VOLTAGE : 500V(AC/DC).

2.3. OPERATING TEMPERATURE : SEE TABLE.

2.4. DIELECTRIC WITHSTANDING VOLTAGE : LESS THAN 2 MILLIAMPS CURRENT LEAKAGE@2000 VOLTS AC.

2.5. INSULATION RESISTANCE : 5000 MEGOHMS MIN.

2.6. IP-CLASS : IP67 AND IP69K IN THE MATED CONDITION, WIRE SEALS FULLY POPULATED.

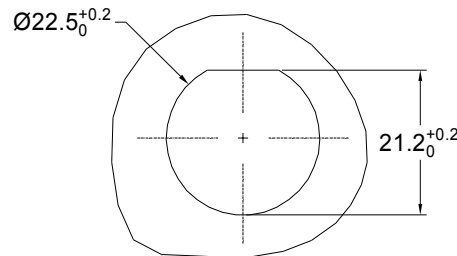
2.7. MATING CYCLES DURABILITY : 500 CYCLES MIN.

2.8. RoHS COMPLIANT.

3. SUITABLE CONTACTS : 2.5mm&20# CONTACT.

4. ALL DIMENSIONS ARE FOR REFERENCE USE ONLY.

CONTACT SIZE	MIN. INSUL O.D.	MAX. INSUL O.D.	WIRE RANGE
2.5mm	Ø3.3mm	Ø4.3mm	14 - 12AWG
20#	Ø1.6mm	Ø2.6mm	30 - 20AWG



PANEL CUT OUT REFERENCE

SEALING PLUGS CAN BE PURCHASED SEPARATELY

KEY	PART NUMBER	
		-40°C ~ 105°C
N	RTS712N2PHEC	RTS712N2PHEC03

QUANTITY	PART NUMBER	DESCRIPTION	ITEM
MATERIALS LIST			
UNLESS OTHERWISE SPECIFIED		SIGNATURES DATE	
1) All dimensions are in metric(mm).		DRAWN: BLINK	SEP-23-2021
2) Tolerances are as follows:		CHECKED: ORION	SEP-24-2021
1 PL DEC ±0.30 Fractions ±1/64		ENGINEER:	
2 PL DEC ±0.15 Angles ±1°		APPROVAL: TOMMY	SEP-27-2021
3) Note reference =		CUSTOMER:	
MATERIAL SPECIFICATIONS:		THIS DRAWING IS SUPPLIED FOR INFORMATION ONLY. DESIGN FEATURES, SPECIFICATIONS AND PERFORMANCE DATA SHOWN HEREON ARE THE PROPERTY OF THE AMPHENOL CORPORATION. NO RIGHTS OF REPRODUCTION ARE IMPLIED. ALL DIMENSIONS ARE SUBJECT TO NORMAL MANUFACTURING VARIATIONS.	
PROCESS SPECIFICATIONS:		EcoMate Aquarius, RECEPTACLE, END CAP, JAM NUT, SIZE 12, 2+2 POS, PIN	
NEXT ASSY:		SIZE	REVISION
		B C-	A2
		SCALE NONE	SHEET 1 OF 1

TITLE: EcoMate Aquarius RECEPTACLE END CAP JAM NUT, SIZE 12, 2+2 POS, PIN

DWG NO:

RTS712*2PHECxx

REV: A2

SH: 1

OF: 1