



P-DUKE POWER

MAD65 Multi Series

2 X 3.5 Inch AC-DC POWER SUPPLIES
Up to 65 Watts

5
YEARS
WARRANTY

ROHS
COMPLIANT

REACH
COMPLIANT

+85°C
-40°C
AMBIENT TEMP.



Medical



Automation



Datacom



IPC



Industry



Measurement



Telecom



Automobile



Boat



Charger



PV



Railway

UL US CB CE UK CA



2 x MOPP	4000 VAC Isolation Voltage	ADJ. Output Voltage	Internal EN55032 Class Filter B	LOW Cross Reg.	LOW Leakage Current	LOW Standby Power	Operating Altitude 5000 meter	Protection Class I Class II	OPP	OVP	SCP
----------------	-------------------------------------	---------------------------	---	----------------------	---------------------------	-------------------------	---	-----------------------------------	-----	-----	-----

PART NUMBER STRUCTURE

MAD	65	U	□	□	□	□	□	C	- xx	yy	- □
Series Name	Output Power (W)	Input Voltage (VAC)	Output Quantity	Output Voltage 1 (VDC)	Output Voltage 2 (VDC)	Output Voltage 3 (VDC)	Output Voltage 3 (VDC)	Protection Type	Vo2 Voltage Code	Vo3 Voltage Code	Connector Options
				Vo1	Vo2	Vo3 (Triple only)					
A: Open type		U: Universal	D: Dual	3: 5V	1: 2.5V	M: Minus	1: 2.5V	C: CLASS I			□: JST
U: U chassis type		85 - 264	T: Triple	4: 7.5V	2: 3.3V	□: Positive	2: 3.3V	D: CLASS II			M: Molex
E: Enclosed type				5: 9V	3: 5V		3: 5V				T: Terminal Block
D: Din rail type				6: 12V	x: refer to Suffix xx		4: 7.5V	□: CLASS I (※NRND)			
				7: 15V			5: 9V	B: CLASS II (※NRND)			
				8: 18V			6: 12V				
				9: 24V			7: 15V				
				0: 28V			8: 18V				
							9: 24V	※NRND: Not recommended for new designs			
							y: refer to Suffix yy				



TECHNICAL SPECIFICATION All specifications are typical at 230VAC input, full load and 25°C unless otherwise noted

Model Number	Output 1			Output 2			Output 3		Max. Output Power W	Efficiency %	Maximum Capacitor Load µF
	Voltage	Current (Normal)	Current (MAX)	Voltage	Current (Normal)	Current (MAX)	Voltage	Current (MAX)			
	VDC	A	A	VDC	A	A	VDC	A			
MAD65UD32C MUD65UD32C MED65UD32C MDD65UD32C	+5	6	10	+3.3	6	8	---	---	50	88.5	12000 / 3000
MAD65UD63C MUD65UD63C MED65UD63C MDD65UD63C	+12	3	5.42	+5	6	8	---	---	65	90	2500 / 3000
MAD65UD62C MUD65UD62C MED65UD62C MDD65UD62C	+12	3	5.42	+3.3	6	8	---	---	65	89.5	2500 / 3000
MAD65UD73C MUD65UD73C MED65UD73C MDD65UD73C	+15	2.4	4.34	+5	6	8	---	---	65	90.5	1200 / 3000
MAD65UD93C MUD65UD93C MED65UD93C MDD65UD93C	+24	1.5	2.71	+5	6	8	---	---	65	89	625 / 3000
MAD65UD03C MUD65UD03C MED65UD03C MDD65UD03C	+28	1.25	2.33	+5	6	8	---	---	65	88	390 / 3000
MAD65UT32M3C MUD65UT32M3C MED65UT32M3C MDD65UT32M3C	+5	6	10	+3.3	6	8	-5	0.6	50	88	12000 / 3000 / 500
MAD65UT326C MUD65UT326C MED65UT326C MDD65UT326C	+5	6	10	+3.3	6	8	+12	0.6	50	88	12000 / 3000 / 500
MAD65UT32M6C MUD65UT32M6C MED65UT32M6C MDD65UT32M6C	+5	6	10	+3.3	6	8	-12	0.6	50	88	12000 / 3000 / 500
MAD65UT63M3C MUD65UT63M3C MED65UT63M3C MDD65UT63M3C	+12	3	5.42	+5	6	8	-5	0.6	65	89.5	2500 / 3000 / 500
MAD65UT63M6C MUD65UT63M6C MED65UT63M6C MDD65UT63M6C	+12	3	5.42	+5	6	8	-12	0.6	65	89	2500 / 3000 / 500
MAD65UT623C MUD65UT623C MED65UT623C MDD65UT623C	+12	3	5.42	+3.3	6	8	+5	0.6	65	89	2500 / 3000 / 500



Model Number	Output 1			Output 2			Output 3		Max. Output Power	Efficiency	Maximum Capacitor Load
	Voltage	Current (Normal)	Current (MAX)	Voltage	Current (Normal)	Current (MAX)	Voltage	Current (MAX)			
	VDC	A	A	VDC	A	A	VDC	A			
MAD65UT62M6C MUD65UT62M6C MED65UT62M6C MDD65UT62M6C	+12	3	5.42	+3.3	6	8	-12	0.6	65	88.5	2500 / 3000 / 500
MAD65UT73M7C MUD65UT73M7C MED65UT73M7C MDD65UT73M7C	+15	2.4	4.34	+5	6	8	-15	0.6	65	89.5	1200 / 3000 / 500
MAD65UT936C MUD65UT936C MED65UT936C MDD65UT936C	+24	1.5	2.71	+5	6	8	+12	0.6	65	88.5	625 / 3000 / 500
MAD65UT93M6C MUD65UT93M6C MED65UT93M6C MDD65UT93M6C	+24	1.5	2.71	+5	6	8	-12	0.6	65	88.5	625 / 3000 / 500

INPUT SPECIFICATIONS

Parameter	Conditions	Min.	Typ.	Max.	Unit
Operating input voltage range	AC input	85		264	VAC
	DC input	120		370	VDC
Input frequency	AC input	47		63	Hz
Input current	100VAC			1.65	A
	240VAC			0.95	A
No load input power	230VAC		0.15		Watts
Leakage current	264VAC		75		μA
Start up time				1000	ms
Rise time			20		ms
Hold up time	115VAC and Full Load		16		ms
Input inrush current	230VAC		60		A
Input protection	Internal fuse			T3.15A/250VAC	

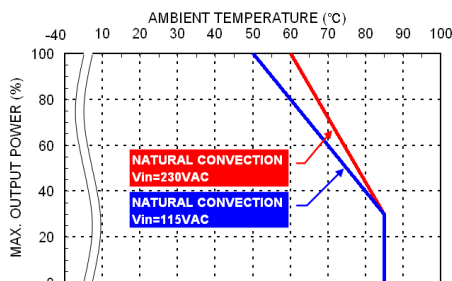
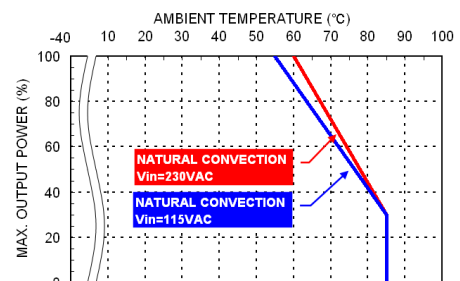
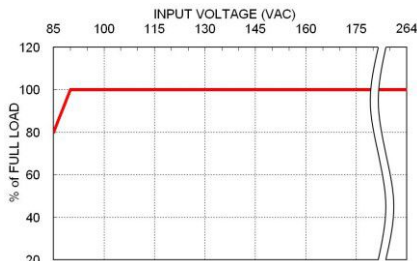
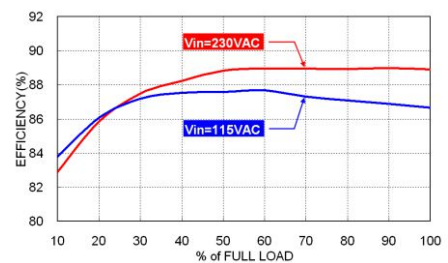
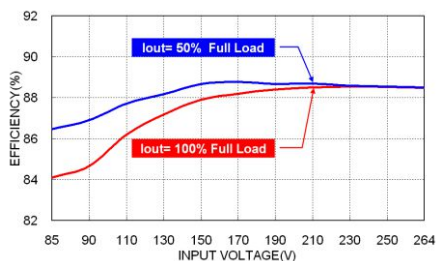
OUTPUT SPECIFICATIONS						
Parameter	Conditions		Min.	Typ.	Max.	Unit
Output power	Pout 1+Pout 2+Pout 3	Vout 1 5V Others			50 65	Watts
Initial set voltage accuracy	230VAC and Full Load	Vout 1 Vout 2 - Vout 3	-1.0 -2.0		+1.0 +2.0	%
Line regulation	Low Line to High Line at Full Load		-0.2		+0.2	%
Load regulation	No Load to Full Load	Vout 1 Vout 3	-0.5 -0.7		+0.5 +0.7	%
	No Load to Full Load 0.1W Load to Full Load	Vout 2	-1.5 -0.7		+1.5 +0.7	%
Cross regulation	Asymmetrical load 25%/100% FL		-1.5		+1.5	%
Voltage adjustability		Vout 1	-10		+10	%
Minimum load	M□D65UD□□ M□D65UT□□□□; Vout 3 is full load	Vout 1 + Vout 2		0 0.5		W
Ripple and noise	Measured by 20MHz bandwidth					
	With a 10μF/25V 1206 X7R MLCC	Vout 1 5V		100		mVp-p
	With a 1μF/50V 1206 X7R MLCC	Vout 1 12V		120		
		15V		150		
		24V		240		
		28V		280		
	Vout 2 All		100			
	With a 10μF/25V 1206 X7R MLCC	Vout 3 5V		100		
	With a 10μF/25V 1206 X7R MLCC	12V		120		
		15V		150		
Temperature coefficient			-0.02		+0.02	%/°C
Transient response	Load step from 50 ~ 75% change at 2.5A/μs	Vout 1 Peak deviation Recovery time		600	3	% Vout μs
Over voltage protection	% of Vout(nom); Latch mode	Vout 1	125		140	%
Over power protection	% of nominal output power; Hiccup mode	Pout 1+Pout 2		145		%
Short circuit protection			Continuous, automatics recovery			

GENERAL SPECIFICATIONS						
Parameter	Conditions		Min.	Typ.	Max.	Unit
Isolation voltage	1 minute (2MOPP insulation)	Input to Output Input (Output) to F.G.	4000 2500			VAC
Isolation resistance	500VDC		0.1			GΩ
Switching frequency	230VAC	Vout 1 5V		60		kHz
		Others		115		
		Vout 2 Vout 3		750 510		
Safety approvals	IEC/ EN/ ANSI/AAMI ES 60601-1 IEC/ EN/ UL 62368-1				UL:E360199 UL:E193009 CB:UL(Demko)	
Weight		MAD				155g (5.47oz)
		MUD				203g (7.16oz)
		MED				221g (7.80oz)
		MDD				243g (8.57oz)
MTBF	MIL-HDBK-217F, Full load					1.059 x 10 ⁶ hrs

ENVIRONMENTAL SPECIFICATIONS						
Parameter	Conditions		Min.	Typ.	Max.	Unit
Operating ambient temperature	Natural convection	With derating	-40		+85	°C
Storage temperature range			-40		+85	°C
Operating altitude					5000	m
Shock						IEC60068-2-27
Vibration						IEC60068-2-6
Relative humidity	Non-condensing					5% to 95% RH

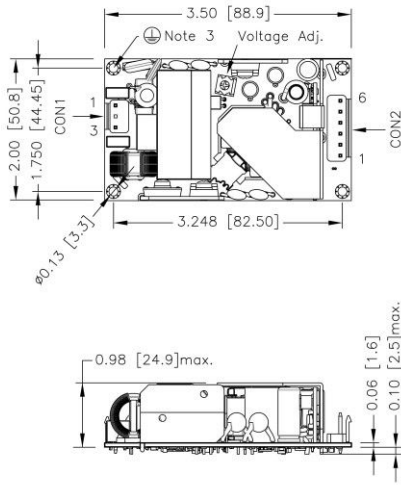
EMC SPECIFICATIONS

Parameter	Conditions	Level
EMI	EN55011, EN55032, EN60601-1-2 and FCC Part 18 / 15 External components may be required for class I application	Conducted Class B Radiated Class B
Harmonic currents	EN61000-3-2 Full Load	Class A
Voltage flicker	EN61000-3-3	
EMS	EN55035 and EN60601-1-2	
ESD	EN61000-4-2	Perf. Criteria A
Radiated immunity	EN61000-4-3 20 V/m	Perf. Criteria A
Fast transient	EN61000-4-4 $\pm 2kV$	Perf. Criteria A
Surge	EN61000-4-5 DM $\pm 1kV$ and CM $\pm 2kV$	Perf. Criteria A
Conducted immunity	EN61000-4-6 20 Vr.m.s	Perf. Criteria A
Power frequency magnetic field	EN61000-4-8 30 A/m	Perf. Criteria A
Dip and interruptions	EN61000-4-11	

CHARACTERISTIC CURVE

 Derating Curve vs. Ambient Temperature
 M□D65UD

 Derating Curve vs. Ambient Temperature
 M□D65UT

 Derating Curve vs. Input Voltage
 M□D65

 Efficiency vs. Output Load
 M□D65UT63M6B

 Efficiency vs. Input Voltage
 M□D65UT63M6B

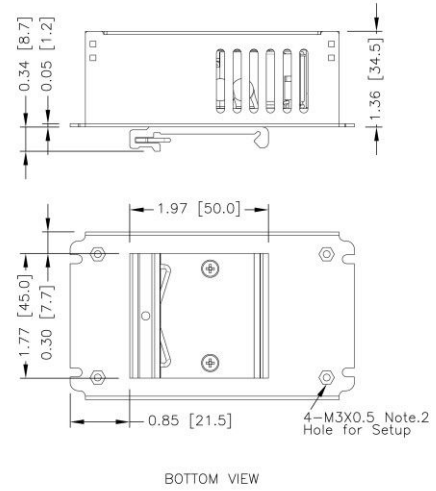
MECHANICAL DRAWING

MAD Open type



FRONT VIEW

MDD Din rail type

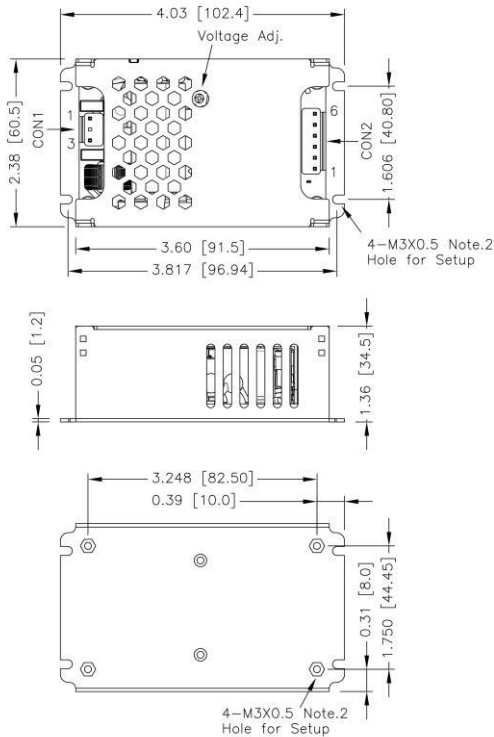


BOTTOM VIEW

- 1.All dimensions in inch[mm]
Tolerance:x.xx±0.02[x.x±0.5] x.xxx±0.010[x.xx±0.25]
- 2.The screw locked torque: MAX 5.0kgf-cm/0.49N-m
- 3.The screws holes can be considered as PE connection for CLASS I application.

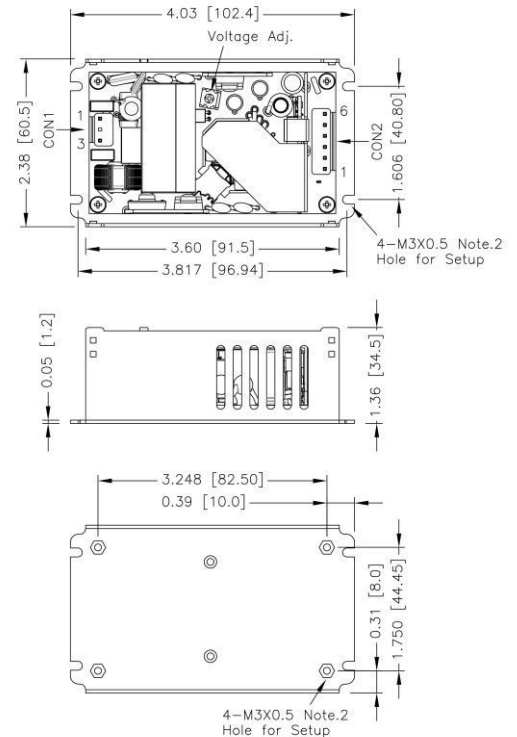
- 1.All dimensions in inch[mm]
Tolerance:x.xx±0.02[x.x±0.5] x.xxx±0.010[x.xx±0.25]
- 2.The screw locked torque: MAX 5.0kgf-cm/0.49N-m

MED Enclosed type



BOTTOM VIEW

MUD U chassis type



BOTTOM VIEW

- 1.All dimensions in inch[mm]
Tolerance:x.xx±0.02[x.x±0.5] x.xxx±0.010[x.xx±0.25]
- 2.The screw locked torque: MAX 5.0kgf-cm/0.49N-m

- 1.All dimensions in inch[mm]
Tolerance:x.xx±0.02[x.x±0.5] x.xxx±0.010[x.xx±0.25]
- 2.The screw locked torque: MAX 5.0kgf-cm/0.49N-m

CONNECTOR CONNECTIONS

CON1 – Input Connector

Pin Number	AC Input	DC Input
		M□D65UDXXC · M□D65UDXXD M□D65UTXXC · M□D65UTXXD
Pin 1	Line	DC+
Pin 3	Neutral	DC-

CON2 – Output Connector

Pin 1	Vout3
Pin 2,3	Com
Pin 4,5	Vout2
Pin 6	Vout1

*Either one of four screws holes of Chassis type can be considered as PE connection for CLASS I application.

CONNECTOR OPTIONS

Blank:

JST Type



Mates with housing

CON1: VHR-3N

CON2: VHR-6N

Crimp terminals

CON1: SVH-21T-P1.1

CON2: SVH-21T-P1.1

-M

Molex Type



Mates with housing

CON1: 09-50-8031

CON2: 09-50-8061

Crimp terminals

CON1: SD-2478

CON2: SD-2478

-T

Terminal Block



**Screw locked torque
MAX 2Kgf.cm/0.2N.m**

**Wire dimension range
26 ~ 16AWG**