

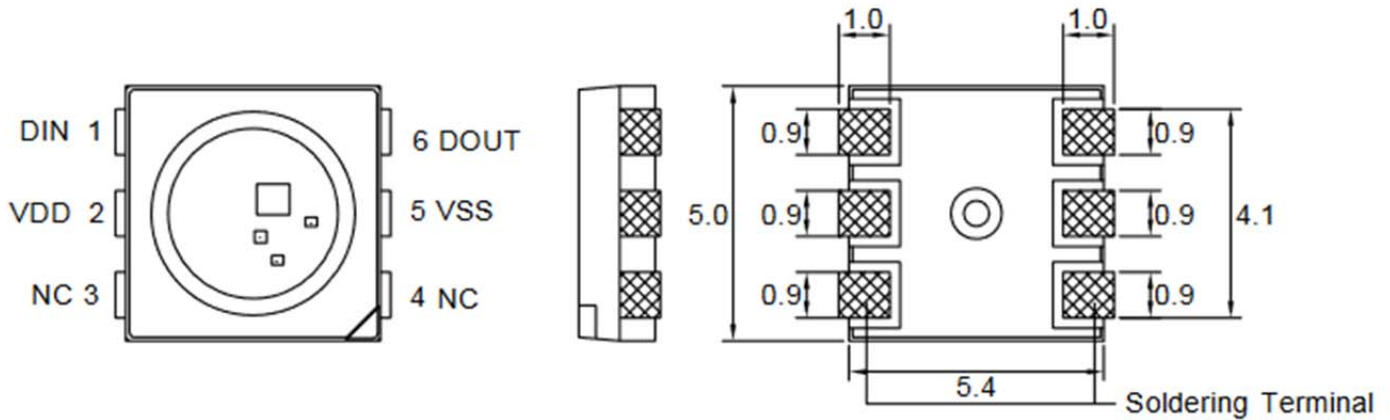


American Opto Plus LED Corp.

L381L-LEPGB3DI6

5.4 x 5.0 x 1.6mm RGB SMD LED with IC (5050 Package)

PACKAGE DIMENSION



NO.	Symbol	Function Description
1	DIN	Control data signal input
2	VDD	DC power input
3	NC	
4	NC	
5	VSS	Ground
6	DOUT	Control data signal output

Notes:

1. All dimension are in millimeter tolerance is $\pm 0.2\text{mm}$ unless otherwise noted.
2. Specifications are subject to change without notice.

Material	Color	
	Emitted	Lens
AlGaInP	Red	Water Clear
InGaN	Pure Green	
InGaN	Blue	

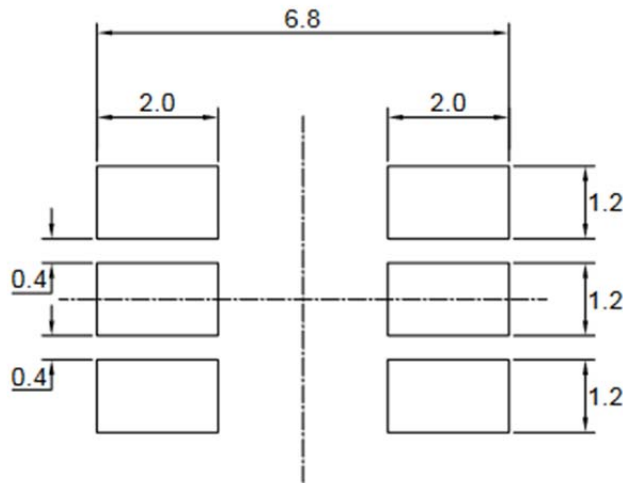


American Opto Plus LED Corp.

L381L-LEPGB3DI6

5.4 x 5.0 x 1.6mm RGB SMD LED with IC (5050 Package)

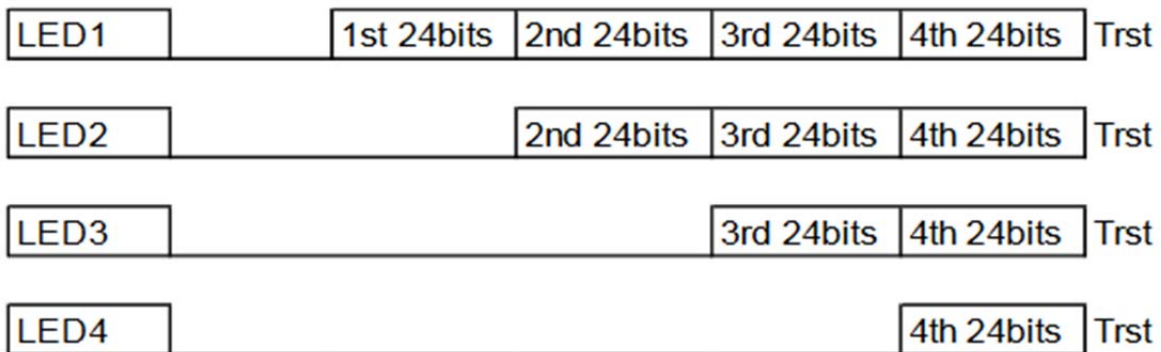
RECOMMENDED SOLDERING PAD PATTERN



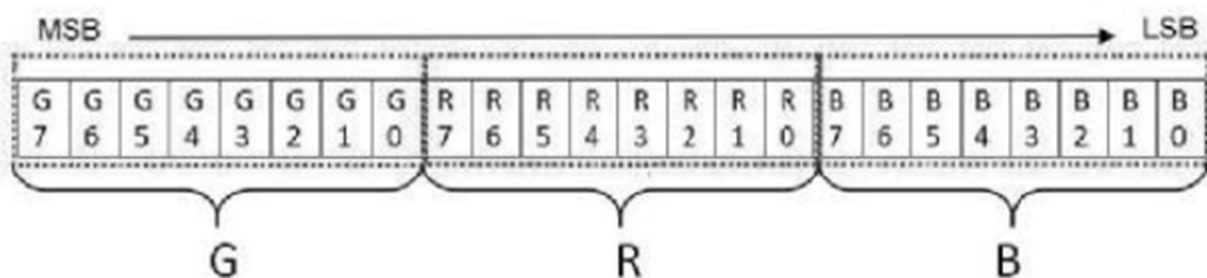
Notes:

1. The tolerances unless mentioned is ± 0.1 mm, angle ± 0.5 .
2. Unit = mm.

DATA COMMUNICATION



SINGLE DATA IN 24BIT FOR RGB



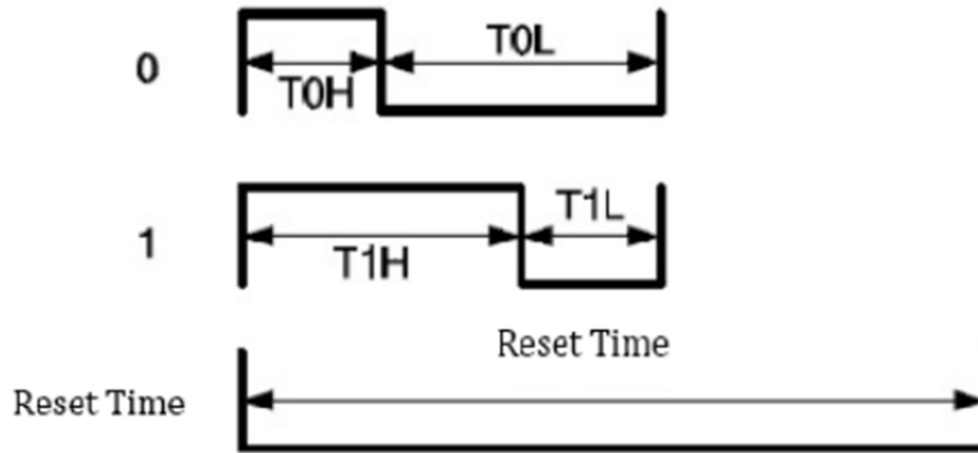


American Opto Plus LED Corp.

L381L-LEPGB3DI6

5.4 x 5.0 x 1.6mm RGB SMD LED with IC (5050 Package)

TIMING WAVE FORM



HIGH SPEED MODE

Item	Description	Min.	Max.	Unit
TOH	0 code, High- level time	0.22	0.38	us
TOL	0 code, Low- level time	0.58	1	us
T1H	1 code, High- level time	0.58	1	us
T1L	1 code, Low- level time	0.22	1	us
Trst	Rest code, Low- level time	280	--	us

Note: $T_H + T_L > 1.2\mu s$.



American Opto Plus LED Corp.

L381L-LEPGB3DI6

5.4 x 5.0 x 1.6mm RGB SMD LED with IC (5050 Package)

ABSOLUTE MAXIMUM RATINGS

(Ta=25°C, VDD=5V, Vss=0)

Parameter	Symbol	Value	Unit
Supply Voltage	VDD	5.3	V
LED Output Current	Iout	25	mA
Operating Temperature Range	Topr	-40~+85	°C
Storage Temperature Range	Tstg	-40~+100	°C
Power Dissipation	Pd	240	mW

OPTICAL-ELECTRICAL CHARACTERISTICS

(TA=25°C, VDD=5V, VSS=0)

Parameter	Symbol	Test Condition	Value			Unit
			Min	Typ	Max	
Supply Voltage	VDD	--	3.7	5	5.3	V
Each R/G/B Current	IOL	VDD=5V	--	12	--	mA
Input High Voltage	VIH	DI	2.7	--	VDD	V
Input Low Voltage	VIL	DI	0	--	0.7	V

ELECTRICAL OPTICAL CHARACTERISITICS

Parameter	Symbol		Test Condition	Value			Unit
				Min	Typ	Max	
Luminous intensity	Iv	R	VDD=5V	320	500	1000	mcd
		PG		500	1000	1600	
		B		125	200	500	
Dominant Wavelength	λD	R		615	622	630	nm
		PG		515	523	530	
		B		460	470	475	
Viewing angle	2θ 1/2			--	120	--	Deg

Notes:

1. The dominant wavelength data did not including ±1nm testing tolerance.
2. The luminous intensity data did not including ±15% testing tolerance.

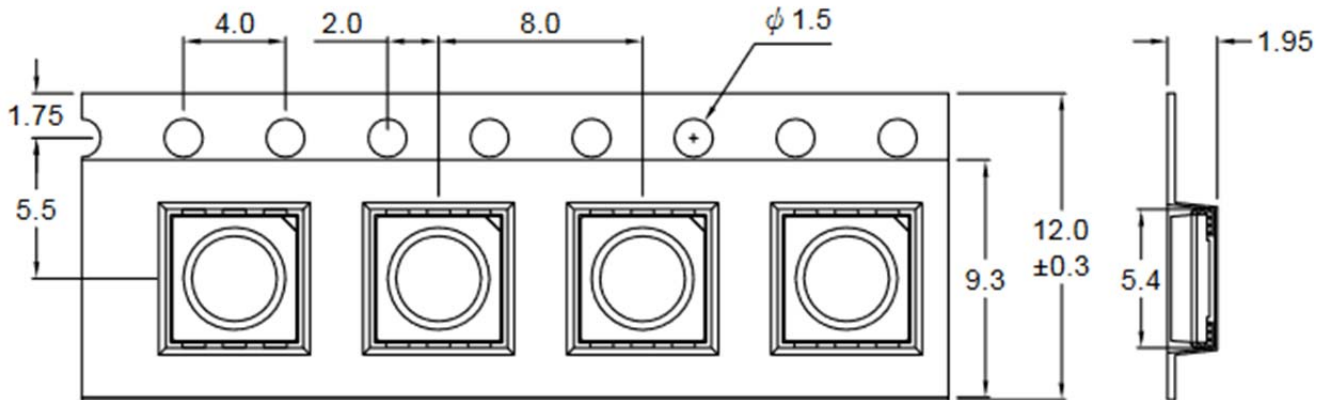


American Opto Plus LED Corp.

L381L-LEPGB3DI6

5.4 x 5.0 x 1.6mm RGB SMD LED with IC (5050 Package)

CARRIER TAPE DIMENSIONS



Note:

1. The tolerances unless mentioned is ± 0.1 mm, Angle ± 0.5 , Unit=mm.

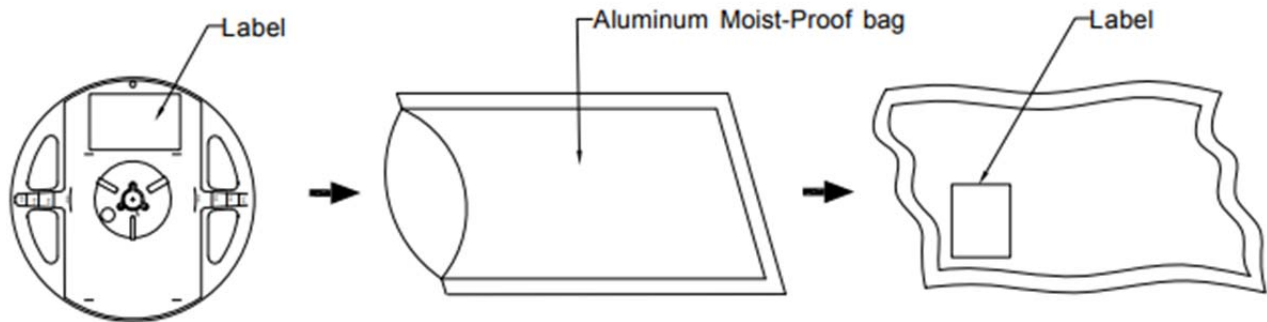
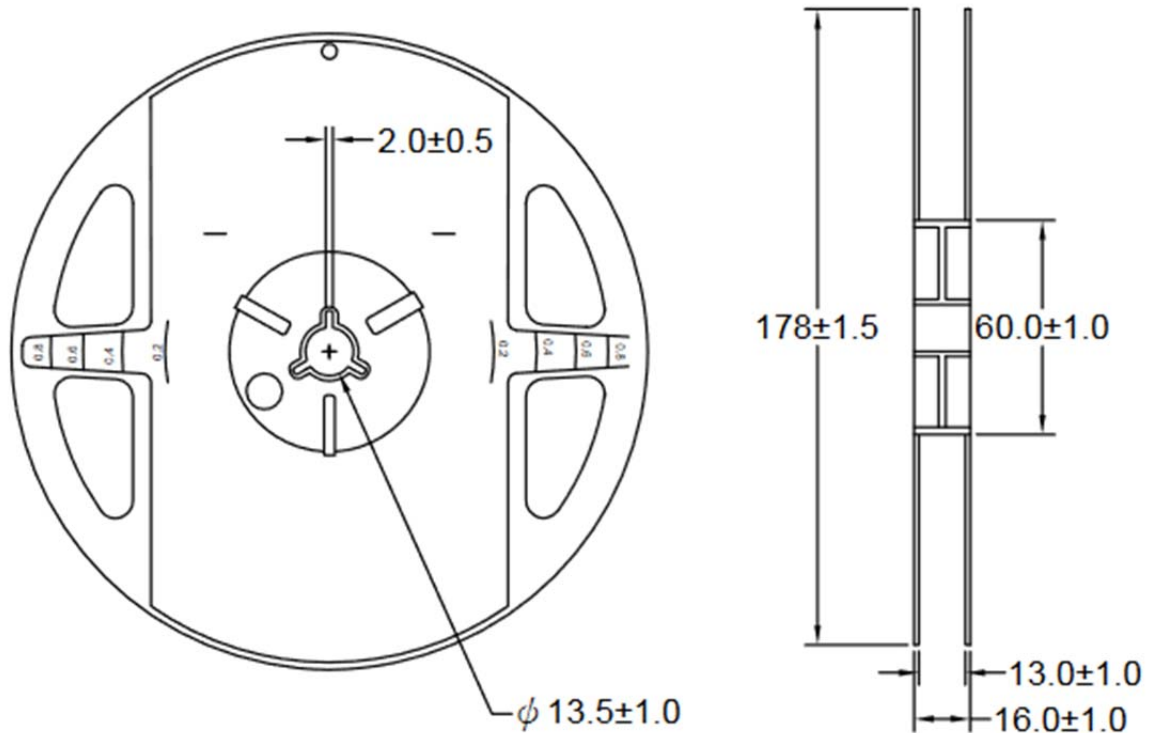


American Opto Plus LED Corp.

L381L-LEPGB3DI6

5.4 x 5.0 x 1.6mm RGB SMD LED with IC (5050 Package)

REEL DIMENSIONS



Description	Quantity/Reel
12.0mm tape, 7" reel	1000 PCS

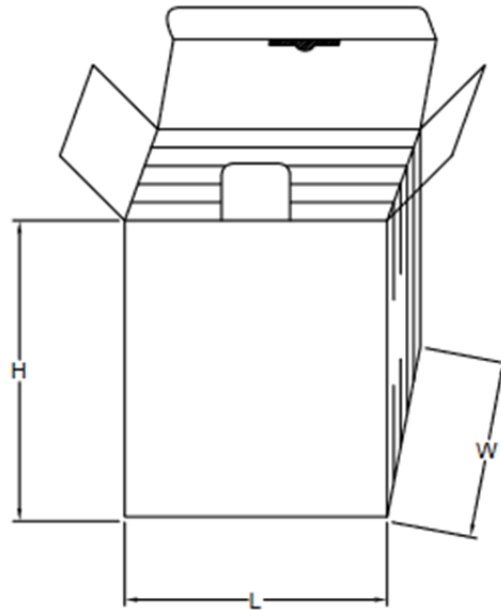


American Opto Plus LED Corp.

L381L-LEPGB3DI6

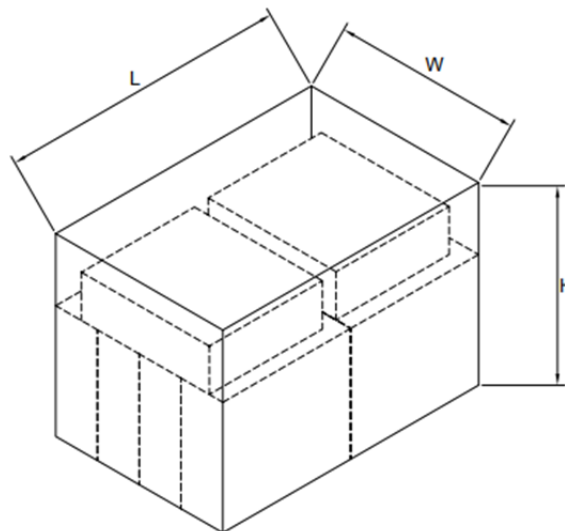
5.4 x 5.0 x 1.6mm RGB SMD LED with IC (5050 Package)

BOX EXPLANATION



Notes:

1. 5 bag/inner box
2. Carton size : L x W x H 23cm x 8.5cm x 26cm



Notes:

1. 10 inner boxes/carton
2. Carton size : L x W x H 58cm x 34cm x 35cm



American Opto Plus LED Corp.

L381L-LEPGB3DI6

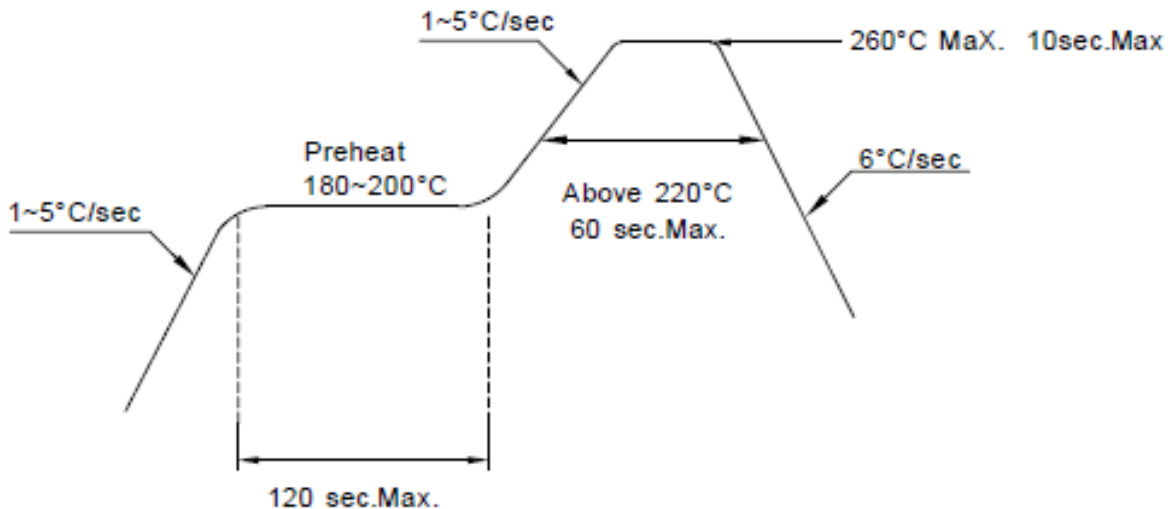
5.4 x 5.0 x 1.6mm RGB SMD LED with IC (5050 Package)

RECOMMENDED SOLDERING CONDITIONS

1. Hand Solder

Basic spec is $\leq 280^{\circ}\text{C}$ 3 sec one time only

2. PB-Free Reflow Solder



Note:

1. Reflow soldering should not be done more than two times.
2. When soldering, do not put stress on the LED during heating.
3. After soldering, do not warp the circuit board.



American Opto Plus LED Corp.

L381L-LEPGB3DI6

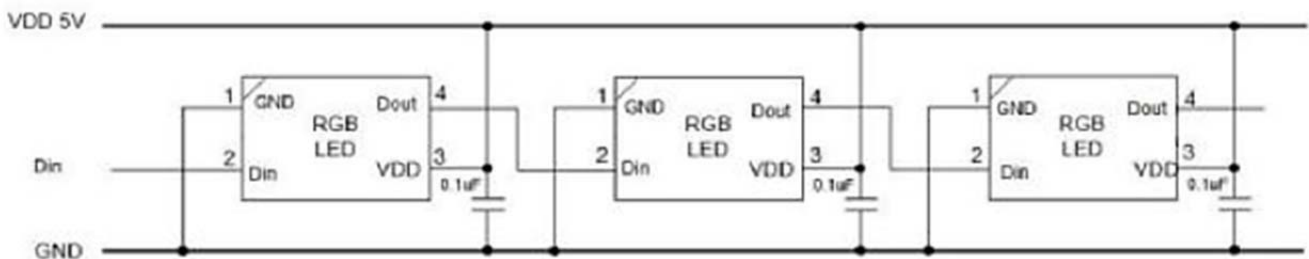
5.4 x 5.0 x 1.6mm RGB SMD LED with IC (5050 Package)

PRECAUTIONS FOR USE:

Storage time:

1. Calculated shelf life before opening is 12 months at $< 30^{\circ}\text{C}$ and $< 90\%$ relative humidity (RH).
2. After bag is opened, devices which will be subjected to reflow soldering or other high temperature processes must be:
 - a) Assembled within 24 hours in an environment of $\leq 30^{\circ}\text{C}$ / 60% RH, or
 - b) Stored at ambient of 10% RH or less.
3. Devices are required baking before assembly if:
 - a) Humidity Indicator Card reads $>10\%$ (for level 2a -5a) or $>60\%$ (for level 2) at ambient temperature $23\pm 5^{\circ}\text{C}$.
 - b) 2.a) or 2.b) doesn't meet.
4. If baking is required, devices should be baked for >8 hours at $60\pm 5^{\circ}\text{C}$ / 5% RH. Performing baking only once, and using the baked devices within 8 hours.

Recommended Route



Cleaning:

Use alcohol-based cleaning solvents such as isopropyl alcohol to clean the LED.

ESD (Electrostatic Discharge):

Static Electricity or power surge will damage the LED. Use of a conductive wrist band or anti-electrostatic glove is recommended when handling these LED. All devices, equipment and machinery must be properly grounded.