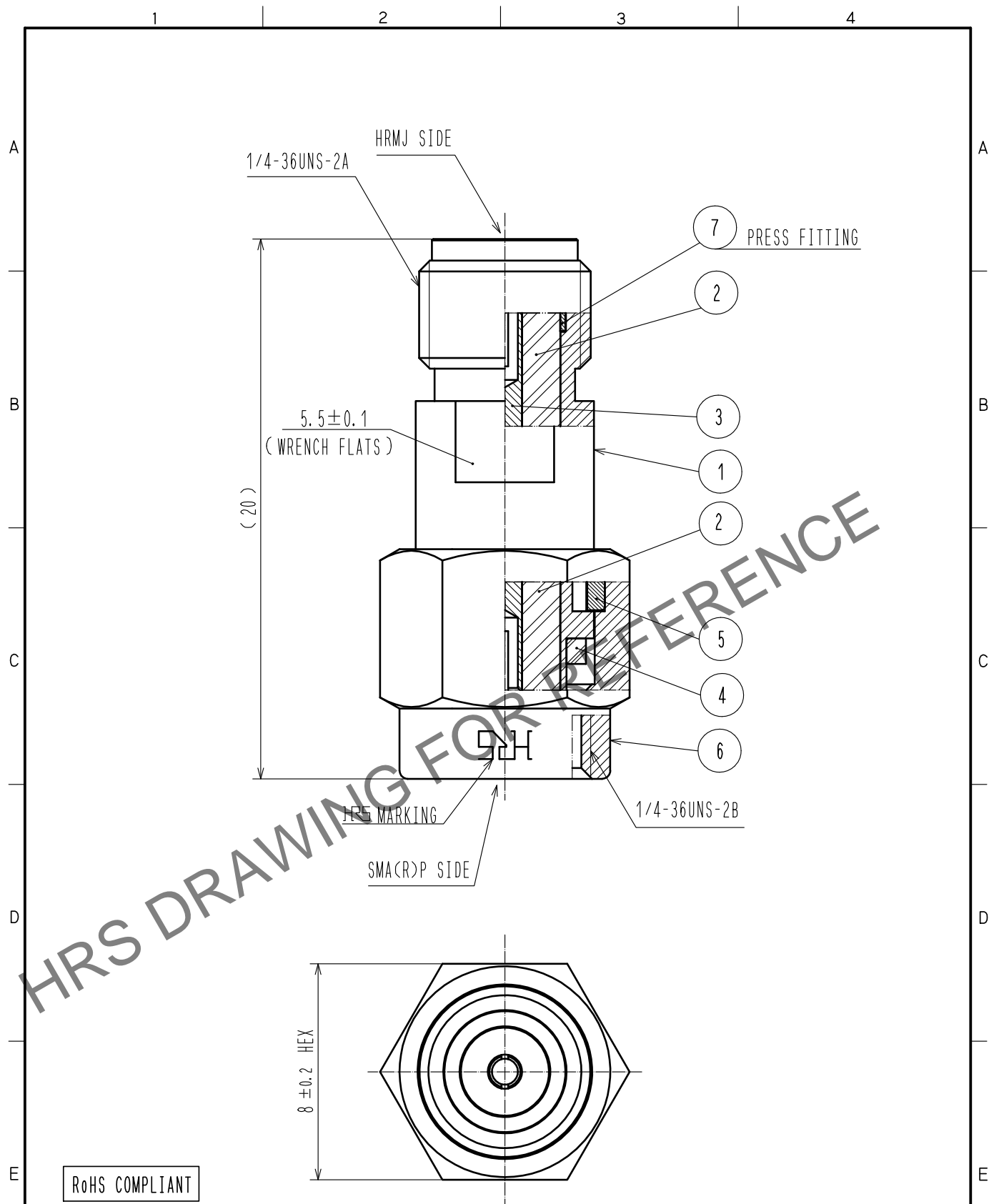


Aug. 1. 2023 Copyright 2023 HIROSE ELECTRIC CO., LTD. All Rights Reserved.
 In case of consideration for using Automotive equipment / device which demand high reliability, kindly contact our sales window correspondents.



4	SILICON RUBBER						
3	BERYLLIUM COPPER	GOLD PLATING	7	STAINLESS STEEL	PASSIVATED		
2	PTFE		6	STAINLESS STEEL	PASSIVATED		
1	STAINLESS STEEL	PASSIVATED	5	BERYLLIUM COPPER	NICKEL PLATING		
NO.	MATERIAL	FINISH .	REMARKS	NO.	MATERIAL	FINISH .	REMARKS

UNITS mm		SCALE 5 : 1	COUNT 	DESCRIPTION OF REVISIONS	DESIGNED	CHECKED	DATE
HIROSE ELECTRIC CO., LTD.				APPROVED : KY. SHIMIZU 16. 07. 08	DRAWING NO. EDC-366797-00-00		
				CHECKED : KY. SHIMIZU 16. 07. 08	PART NO. HRMJ-SMA(R)P		
				DESIGNED : MH. OGUSU 16. 07. 08	CODE NO. CL323-0035-0-00		
				DRAWN : MH. OGUSU 16. 07. 08	1/1		