



# RFT-30Y Series

30 W Isolated DC-DC Converter

The RFT-30Y Series is a high-performance product, specifically designed for a variety of railway applications. The DC-DC converters feature 30 W single output voltage, wide input voltage from 14 - 160 VDC and extended operating temperature range from -40 to 105°C.

Additional product features include input under-voltage protection, output over-voltage, short-circuit, over-current and over-temperature protection and output voltage trim adjustment. The products are widely used in railway systems and associated equipment.



### Key Features & Benefits

- Ultra-wide 12:1 input voltage range: 14 – 160 VDC
- High efficiency up to 90%
- Reinforced insulation, I/O isolation test voltage 3 kVAC
- Operating ambient temperature range -40 °C to +105 °C
- Input under-voltage protection, output over-voltage, over-current, short-circuit protection, over-temperature protection
- Industry standard 2" x 1" package and pin-out
- Meets EN 50155 and AREMA standard
- Safety approved according to IEC 62368-1 & UL/CSA 62368-1

### Applications

- Railway related equipment



## 1. MODEL SELECTION

PART NUMBER	INPUT VOLTAGE RANGE [VDC]	OUTPUT VOLTAGE [VDC]	MAX. OUTPUT CURRENT [mA]	TYPICAL EFFICIENCY [%]	MAX. CAPACITIVE LOAD [ $\mu$ F]	SUFFIX
RFT-30Y05x	14 – 160	5	6000	88	6800	No suffix = Standard model C = Added Heatsink F = Added Flanged baseplate
RFT-30Y12x	14 – 160	12	2500	87	3300	
RFT-30Y15x	14 – 160	15	2000	87	2200	
RFT-30Y24x	14 – 160	24	1250	88	680	
RFT-30Y28x	14 – 160	28	1071	88	560	
RFT-30Y48x	14 – 160	48	625	89	330	
RFT-30Y54x	14 – 160	54	556	89	270	

## 2. INPUT SPECIFICATIONS

PARAMETER	DESCRIPTION / CONDITIONS	MIN.	TYP.	MAX.	UNIT
Input Voltage Range	Nominal	–	110	–	
	Continuous operation	16.8	–	160	VDC
	For $\leq 100$ ms	14	–	–	
Input Current	24 V input, full load	–	1.45	1.54	
	72 V input, full load	–	0.47	0.51	A
	110 V input, full load	–	0.32	0.33	
No-Load Power Consumption	Full input range	–	1.2	2.0	W
Reflected Ripple Current	Nominal input voltage	–	150	–	mA
Surge Voltage	1 sec. max.	–	–	200	VDC
Input Under-Voltage Protection		10	12.5	–	VDC
Start-up Time		–	50	100	ms
Ctrl <sup>1</sup>	Module on				Ctrl pin open or pulled high (3.5 - 12 VDC)
	Module off				Ctrl pin pulled low to -Vin (0 - 1.2 VDC)
	Input power consumption when off, full input range	–	0.7	1.6	W

<sup>1</sup> The Ctrl pin voltage is referenced to input -Vin.

## 3. OUTPUT SPECIFICATIONS

PARAMETER	DESCRIPTION / CONDITIONS	MIN	TYP.	MAX.	UNIT
Voltage Accuracy	Nominal input voltage, full load	–	$\pm 1$	$\pm 2$	%
Linear Regulation	Input voltage variation from min. to max. at full load	–	–	$\pm 0.5$	%
Load Regulation	Nominal input voltage, 10% - 100% load	–	$\pm 0.5$	$\pm 1$	%
Transient Recovery Time		–	–	500	$\mu$ s
Transient Response Deviation	25% load step change @ 25°C	–	$\pm 3$	$\pm 8$	%
Temperature Coefficient	Nominal input voltage, full load	–	–	$\pm 0.03$	% / °C
Ripple & Noise <sup>2</sup>	20 MHz bandwidth, full load @ 25°C	–	100	200	mVp-p
Output Voltage Trim Range		90	–	110	% Vo
Over-Temperature Protection	Max. case temperature	106	–	130	°C
Over-Voltage Protection	Input voltage range	110	–	160	% Vo
Over-Current Protection	Input voltage range	110	–	260	% Io
Short-Circuit Protection	Input voltage range				Hiccup, continuous, self-recovery

<sup>2</sup> For ripple and noise measuring method, please refer to Figure 3.



## 4. GENERAL SPECIFICATIONS

PARAMETER	DESCRIPTION / CONDITIONS	MIN	TYP.	MAX.	UNIT
Isolation	Input-output	3000	–	–	VAC
	Electric Strength Test				
	Input-case	2800	–	–	
	Output-case	2100	–	–	
Insulation Resistance	Input-output resistance at 500 VDC	1000	–	–	MΩ
Isolation Capacitance	Input-output capacitance at 100 kHz / 0.1 V	–	1500	–	pF
Operating Temperature		-40	–	105	°C
Storage Temperature		-55	–	125	°C
Pin Soldering Resistance Temperature	Soldering spot is 1.5 mm away from case for 10 seconds	–	–	300	°C
Storage Humidity	Non-condensing	5	–	95	%RH
Switching Frequency	PWM mode	–	170	–	KHz
MTBF	IEC 61709 @ 25 °C	1000	–	–	kh
Dry Heat Test	Ta +85°C (conduction cooling)	EN 60068-2-2, Be			
Shock and Vibration Test		IEC/EN 61373 Category 1, Class B			
		AREMA Part 11.5.1 Class C, D, E, I, J			
Pollution Level		PD 3			
Fire & Smoke Compliance		EN 45545-2, HL3			
Salt Mist Test	Duration 48 h	EN 60068-2-11, Ka			
Cyclic Damp Heat Test	2 cycles @ +55 °C	EN 60068-2-30, Db variant 2			
Altitude <sup>3</sup>		5000 m			
Low Temperature Start-Up & Storage Test	Ta -40 °C	EN 60068-1, Ad and Ab			

<sup>3</sup> Derating is needed for altitudes above 2000 m.

## 5. MECHANICAL SPECIFICATIONS

PARAMETER	DESCRIPTION	VALUE
Case Material		Aluminum alloy case, black plastic bottom cover (UL94 V-0)
Dimension	Without heat sink	50.8 x 25.4 x 11.8 mm
	With heat sink (suffix C)	50.8 x 25.4 x 22.8 mm
	With flanged baseplate (suffix F)	50.8 x 40.0 x 11.8 mm
Weight	Without heat sink	42 g (Typ.)
	With heat sink (suffix C)	45 g (Typ.)
	With flanged baseplate (suffix F)	61 g (Typ.)
Cooling Method		Conduction cooling or forced air cooling. Free air convection cooling with additional heat sink.



Asia-Pacific

+86 755 298 85888

© 2023 Bel Fuse Inc.

Europe, Middle East

+353 61 49 8941

BCD.20203\_B

North America

+1 866 513 2839

28 August 2023

## 6. ELECTROMAGNETIC COMPATIBILITY (EN50121-3-2)

PARAMETER	DESCRIPTION	CLASS / CRITERIA	
Emission <sup>4</sup>	CE EN 55016-2-1	150 kHz – 500 kHz; 79 dBuV (see Fig. 6 for recommended circuit) 500 kHz – 30 MHz; 73 dBuV (see Fig. 6 for recommended circuit)	CLASS A
	RE CISPR16-2-3	30 MHz – 230 MHz; 40 dBuV/m at 10 m (see Fig. 6 for recommended circuit) 230 MHz – 6 GHz; 47 dBuV/m at 10 m (see Fig. 6 for recommended circuit)	CLASS A
Immunity	ESD EN 61000-4-2	Contact $\pm 6$ kV/Air $\pm 8$ kV	perf. Criteria A
	RS EN 61000-4-3	80 – 800 MHz; 20 V/m 800 – 1000 MHz; 20 V/m 1400 – 2000 MHz; 10 V/m 2000 – 2700 MHz; 5 V/m 5100 – 6000 MHz; 3 V/m	perf. Criteria A
	EFT EN 61000-4-4	$\pm 2$ kV; 5/50 ns; 5 kHz (see Fig. 6 for recommended circuit)	perf. Criteria A
	Surge EN 61000-4-5	Line to line $\pm 1$ kV (42 $\Omega$ , 0.5 $\mu$ F), line to ground $\pm 2$ kV (42 $\Omega$ , 0.5 $\mu$ F) (see Fig. 6 for recommended circuit) Line to line $\pm 1$ kV (2 $\Omega$ , 18 $\mu$ F) line to ground $\pm 2$ kV (12 $\Omega$ , 9 $\mu$ F) (see Fig. 6 for recommended circuit)	perf. Criteria A
	CS EN 61000-4-6	0.15 MHz – 80 MHz 10 V r.m.s	perf. Criteria A

<sup>4</sup> Corresponds or exceeds EN50121-3-2.

## 7. ELECTROMAGNETIC COMPATIBILITY (AREMA)

PARAMETER	DESCRIPTION	CLASS / CRITERIA	
Emissions	CE CISPR16-2-1 CISPR16-1-2	150 kHz – 500 kHz; 79 dBuV (see Fig. 6 for recommended circuit) 500 kHz – 30 MHz; 73 dBuV (see Fig. 6 for recommended circuit)	CLASS A
	RE CISPR16-2-3	30 MHz – 230 MHz; 40 dBuV/m at 10 m (see Fig. 6 for recommended circuit) 230 MHz – 1 GHz; 47 dBuV/m at 10 m (see Fig. 6 for recommended circuit)	CLASS A
Immunity	ESD IEC 61000-4-2	Contact $\pm 6$ kV/Air $\pm 8$ kV	perf. Criteria A
	RS IEC 61000-4-3	80 – 1000 MHz; 10 V/m 160 – 165 MHz; 20 V/m 450 – 470 MHz; 20 V/m 800 – 960 MHz; 20 V/m 1400 – 2000 MHz; 20 V/m 2100 – 2500 MHz; 5 V/m	perf. Criteria A
	EFT IEC 61000-4-4	$\pm 2$ kV 5/50 ns; 5 kHz (see Fig. 6 for recommended circuit)	perf. Criteria A
	Surge IEC 61000-4-5	Line to line $\pm 2$ kV (2 $\Omega$ , 18 $\mu$ F); line to ground $\pm 2$ kV (2 $\Omega$ , 18 $\mu$ F) (see Fig. 6 for recommended circuit)	perf. Criteria A
	CS IEC 61000-4-6	0.15 MHz-80 MHz; 10 V r.m.s	perf. Criteria A
	MS IEC 61000-4-8 IEC 61000-4-8	60 Hz; 100 A/m (see Fig. 6 for recommended circuit) 60 Hz; 300 A/m (see Fig. 6 for recommended circuit)	perf. Criteria A

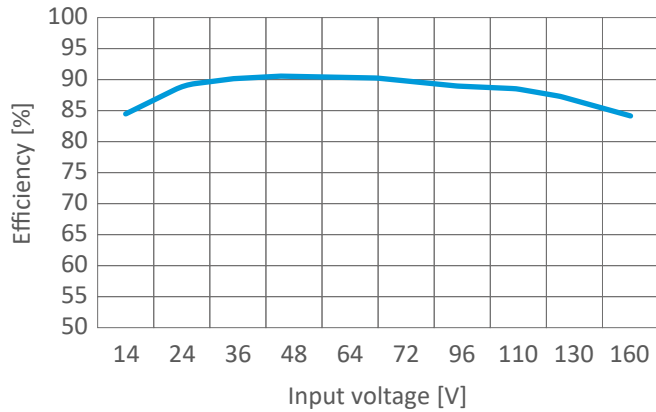


Figure 1. Efficiency vs. Input Voltage

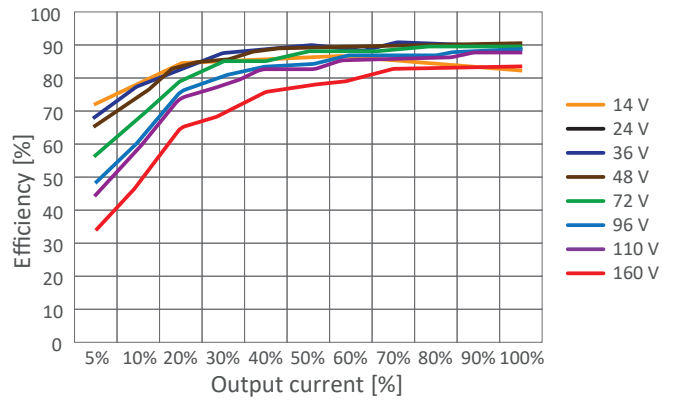


Figure 2. Efficiency vs. Output Load

## 9. DESIGN REFERENCE

### 9.1 RIPPLE & NOISE

All the DC-DC converters of this series are tested before delivery using the recommended circuit shown in Fig. 3.

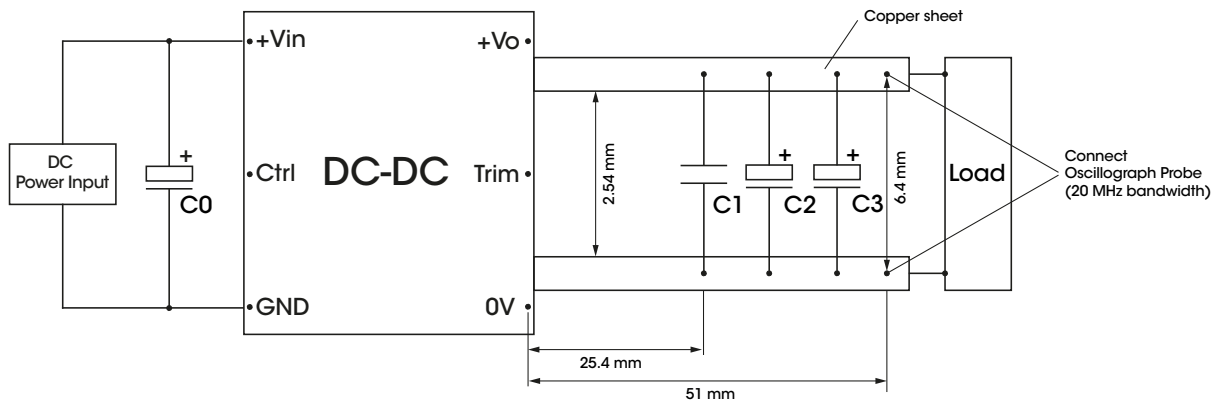


Figure 3. Recommended Test Circuit

	Capacitor value	C0 [μF]	C1 [μF]	C2 [μF]	C3[μF]
Output Voltage	5 VDC	100 Voltage ≥ 250 V	1 Voltage ≥ 1.2* Vo	10 Voltage ≥ 1.2* Vo	680 / ≥ 16 V
	12 VDC				330 / ≥ 25 V
	15 VDC				100 / ≥ 50 V
	24 VDC				82 / ≥ 63 V
	28 VDC				
	48 VDC				
	54 VDC				

9.2 TYPICAL APPLICATION

1. Please ensure that at least a 100 µF electrolytic capacitor is connected at the input in order to ensure adequate voltage surge suppression and protection.
2. Output ripple can be further reduced by appropriately increasing the output capacitor values C2/C3 and/or by selecting capacitors with a low ESR (equivalent series resistance). Also make sure that the capacitance is not exceeding the specified max. capacitive load value of the product.
3. Recommended circuit for Ctrl negative logic refer to Fig. 4.

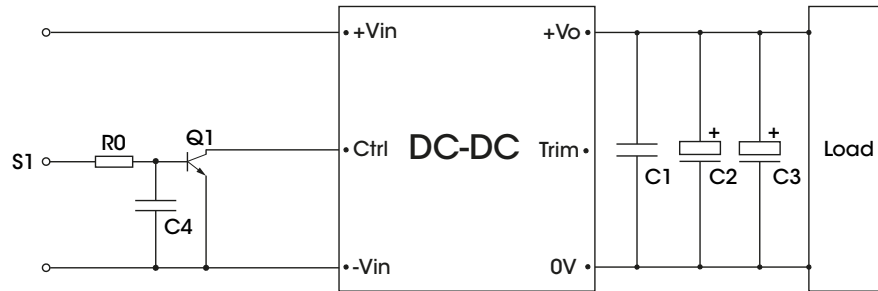


Figure 4. Recommended circuit for Ctrl negative logic

COMPONENTS	VALUE	RECOMMENDED COMPONENT
R0	10 kΩ	—
C4	0.1 µF	Voltage ≥ 25 V
Q1	Ic ≥ 10 mA	Voltage ≥ 30 V

9.3 TRIM FUNCTION FOR OUTPUT VOLTAGE ADJUSTMENT (open if unused)

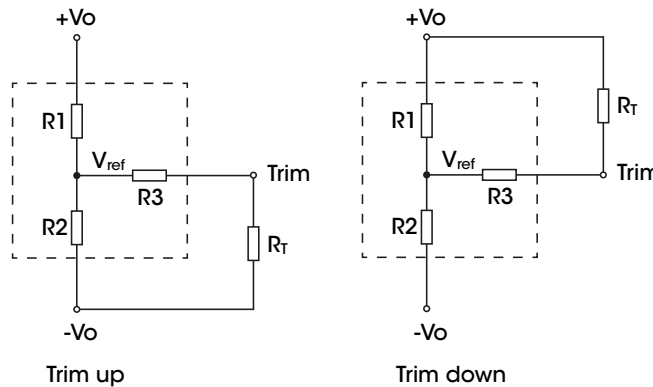


Figure 5. Trim resistor connection (dashed line shows internal resistor network)

Calculation formula of Trim resistance:

$$\text{Trim up: } R_T = \frac{a * R_2}{R_2 - a} - R_3$$

$$a = \frac{V_{ref} * R_1}{V_o - V_{ref}}$$

$$\text{Trim down: } R_T = \frac{b * R_1}{R_1 - b} - R_3$$

$$b = \frac{(V_o - V_{ref}) * R_2}{V_{ref}}$$

NOTES:

a, b : Self-defined parameter, round to the nearest hundredth

R<sub>T</sub> [kΩ] : Resistance of Trim

V<sub>o</sub> : Output voltage change

V<sub>ref</sub> [VDC] : Reference voltage

	Vo	5 V	12 V	15 V	24 V	28 V	48 V	54 V
Res	R1 [kΩ]	9.09	11.57	15.12	16.08	24	46.79	59.73
	R2 [kΩ]	3	3	3	5	5	3.75	3.75
	R3 [kΩ]	4	12.4	12.4	18.2	20	20	11.2
	V <sub>ref</sub> [V]	1.24	2.5	2.5	2.5	2.5	2.5	2.5

## 9.4 EMC COMPLIANCE CIRCUIT

1. External circuit breaker and diode D1 form an anti-reverse circuit, and the diode withstand voltage requirement is above 250 V;
2. EMC Filter will be provided in a modular form, here is a recommended circuit and parameters, as shown in Fig. 6 and Fig. 7. Users can also build it themselves.

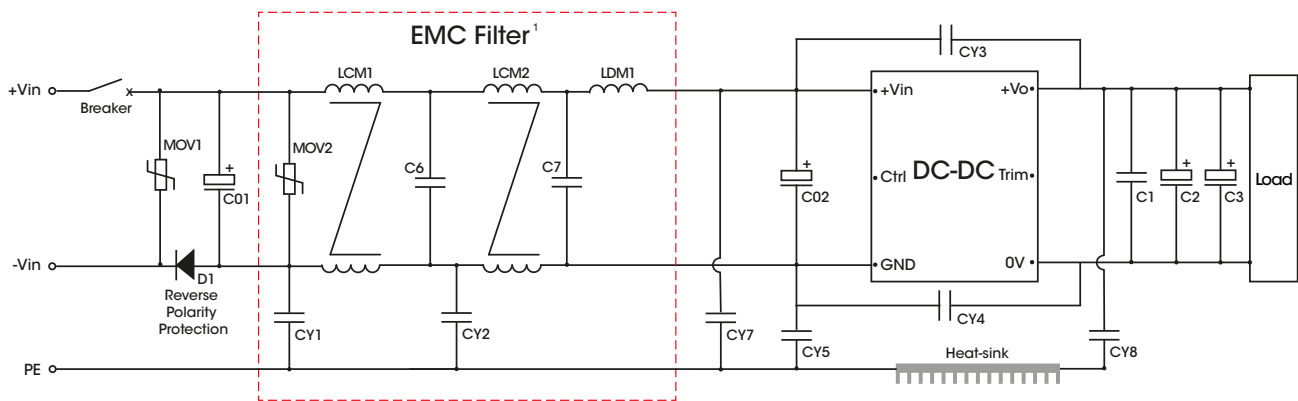


Figure 6. Recommended EMC Filtering with PE

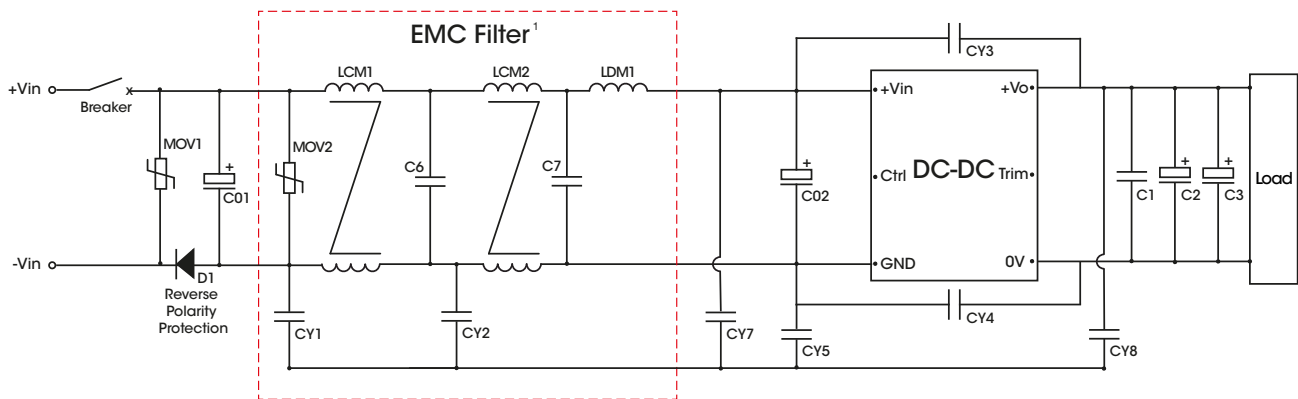


Figure 7. Recommended EMC Filtering without PE

COMPONENTS	VALUE	RECOMMENDED COMPONENT
C6, C7	0.1 $\mu$ F	CERAMIC; 0.1 $\mu$ F; 10%; 630 V; X7R; 1812; -55 to +125°C
LDM1	4.7 $\mu$ H	POWER CHOKE; 4.7 $\mu$ H; 20%; 14 A; 30mOhm; -40 to +125°C
LCM1, LCM2	$\geq$ 1.2 mH	COMMON MODE; TOROIDAL; FERRITE; THT; 1.2 mH; 2.5 A; 35 mOhm; -40 to +115°C
CY1, CY2, CY7, CY8,	1 nF	CERAMIC; X1/Y1; 1 nF; 10%; 400 V; PITCH 10 mm; -40 to +125°C
CY3, CY5	2.2 nF	CERAMIC; X1/Y1; 2.2 nF; 10%; 400 V; PITCH 10 mm; -40 to +125°C
CY4	4.7 nF	CERAMIC; Y1; 4.7 nF; 20%; 400 V; PITCH 10 mm; -40 to +125°C
D1	16 A	SCHOTTKY; DUAL; 600 V; 16 A; Vf 1.5 V; TO220; -55 to +150°C; COMMON CATHODE
MOV1	220 V / 58J	VDR; 220 V; 4 kA; 58 J; THT; PITCH 7.5 mm; -40 to +85°C
MOV2	220 V / 19 J	VDR; 220 V; 1.8 kA; 19 J; THT; PITCH 5 mm; -40 to +105°C
Fuse or Breaker <sup>2</sup>	6 A	Type C

<sup>1</sup> Use of EMC Filter Bel Power P/N: FRF30-00 is recommended.

<sup>2</sup> Type of fuse / circuit breaker to be selected according to the application requirements. The current rating shall be above the maximum working input current and below rated working current of reverse polarity diode.

SURGE STANDARD	COMPONENTS	VALUE	RECOMMENDED COMPONENT
line to line $\pm$ 1 kV (42 $\Omega$ , 0.5 $\mu$ F) line to ground $\pm$ 2 kV (42 $\Omega$ , 0.5 $\mu$ F)	C01	220 $\mu$ F	ELECTROLYTIC; Al, WET; RADIAL; 220 $\mu$ F; 20%; 250 V; $\varnothing$ 16 x 20 mm; PITCH 7.5 mm; -40 to +105°C
line to line $\pm$ 1 kV (2 $\Omega$ , 18 $\mu$ F) line to ground $\pm$ 2 kV (12 $\Omega$ , 9 $\mu$ F)	C02	220 $\mu$ F	ELECTROLYTIC; Al, WET; RADIAL; 220 $\mu$ F; 20%; 250 V; $\varnothing$ 16 x 20 mm; PITCH 7.5 mm; -40 to +105°C
line to line $\pm$ 2 kV (2 $\Omega$ , 18 $\mu$ F) line to ground $\pm$ 2 kV (2 $\Omega$ , 18 $\mu$ F)	C01	330 $\mu$ F	ELECTROLYTIC; Al, WET; RADIAL; 330 $\mu$ F; 20%; 250 V; $\varnothing$ 18 x 40 mm; PITCH 5 mm; -40 to +105°C
	C02	220 $\mu$ F	ELECTROLYTIC; Al, WET; RADIAL; 220 $\mu$ F; 20%; 250 V; $\varnothing$ 16 x 20 mm; PITCH 7.5 mm; -40 to +105°C



## 11. MECHANICAL SPECIFICATIONS

### 11.1 MECHANICAL DIMENSIONS AND RECOMMENDED LAYOUT (STANDARD MODEL)

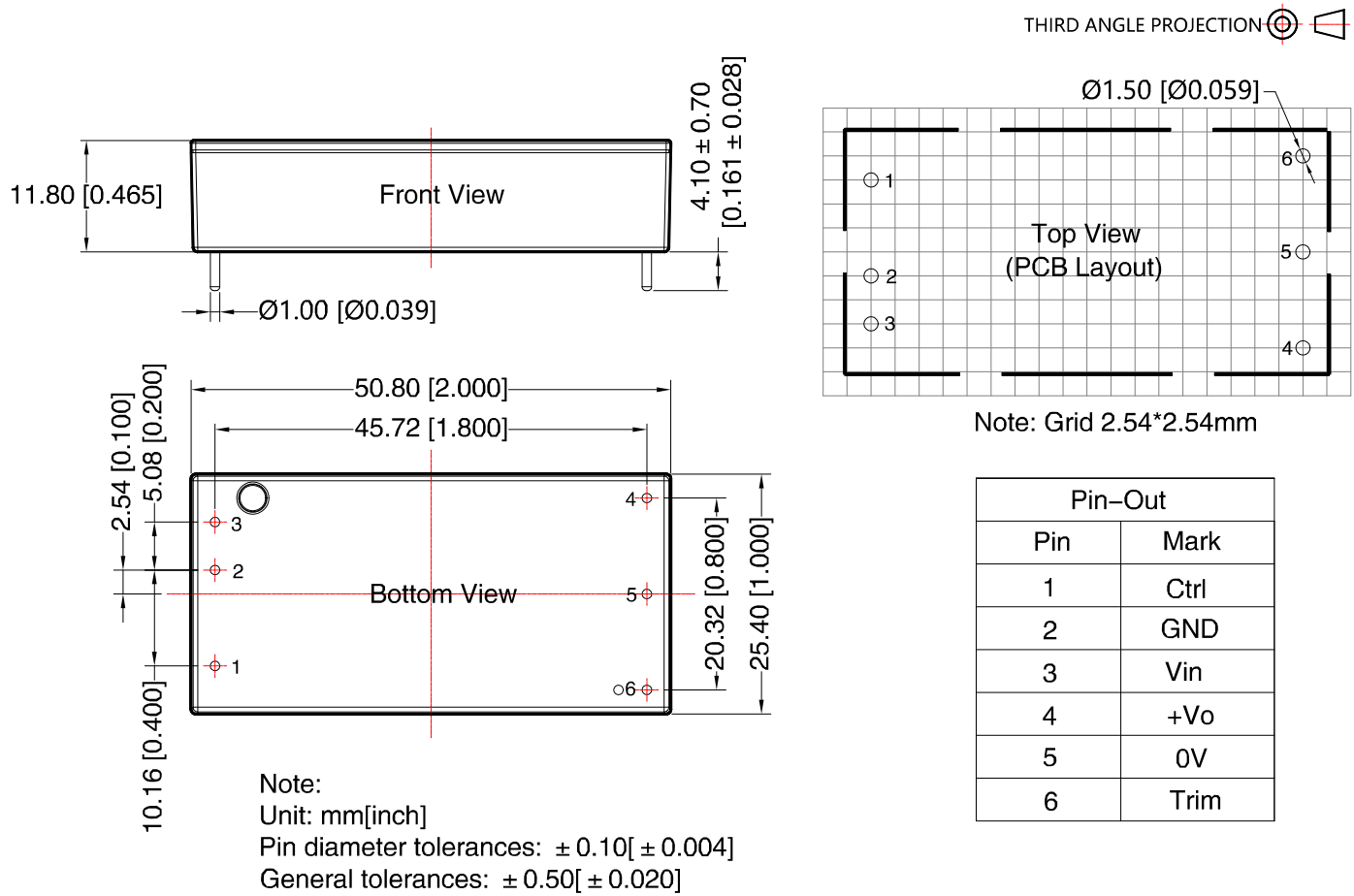


Figure 8. Mechanical Drawing of Standard Model

11.2 MECHANICAL DIMENSIONS AND RECOMMENDED LAYOUT (FLANGED BASEPLATE - SUFFIX F)

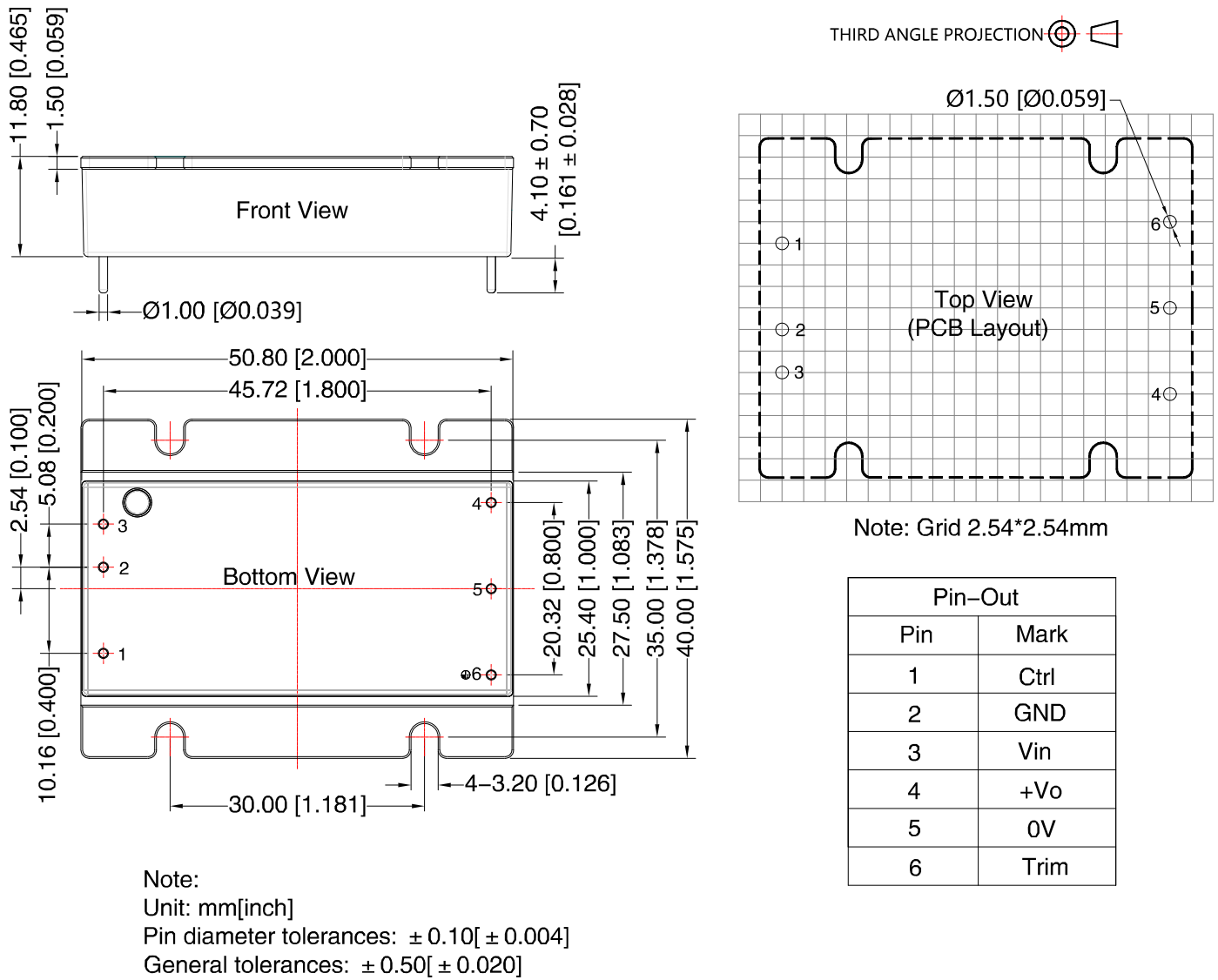


Figure 9. Mechanical Drawing of Model with Flanged Baseplate (Suffix F)

## 11.3 MECHANICAL DIMENSIONS AND RECOMMENDED LAYOUT (HEATSINK - SUFFIX C)

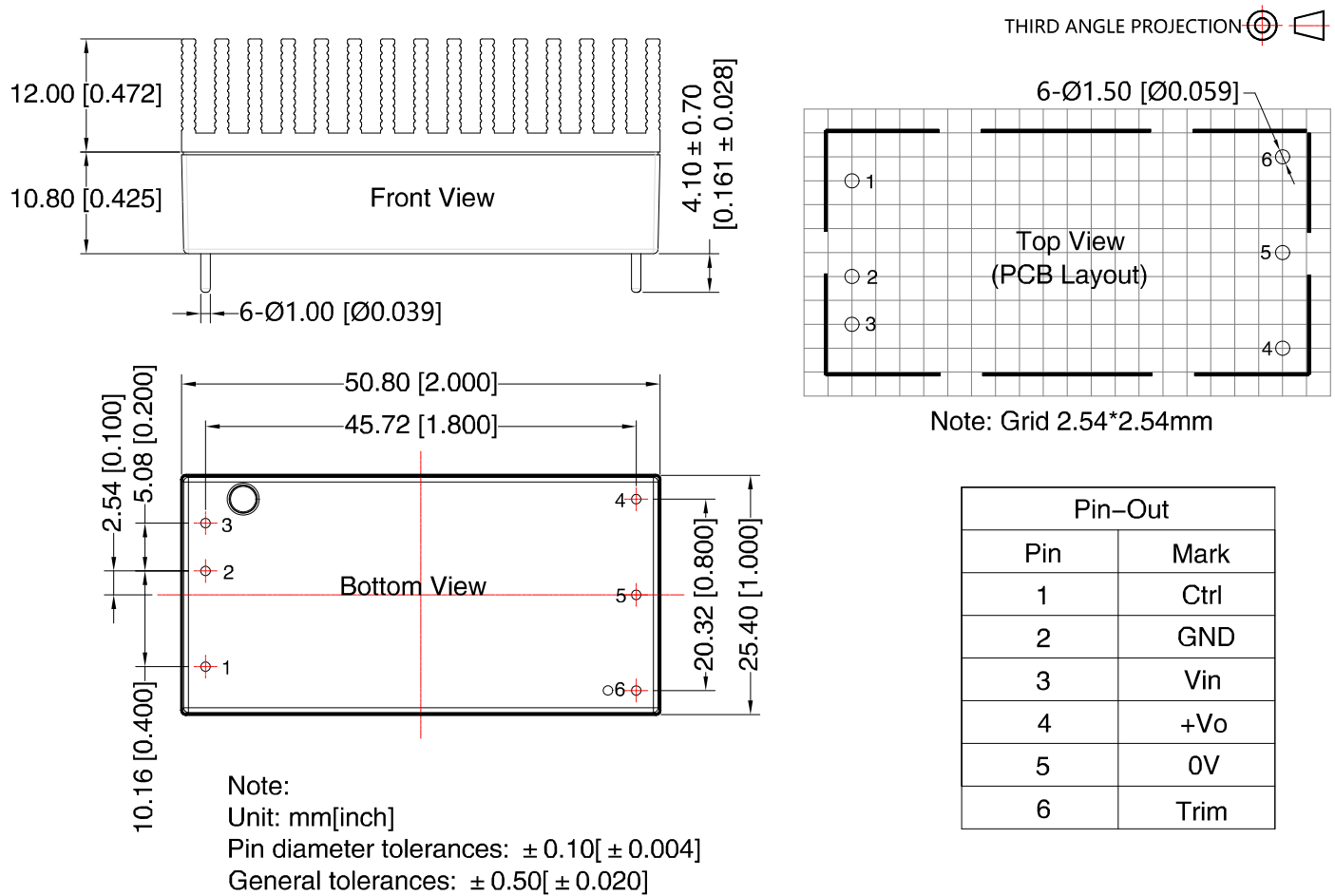


Figure 10 Mechanical Drawing of Model with Heatsink (Suffix C)

For more information on these products consult: [tech.support@psbel.com](mailto:tech.support@psbel.com)

**NUCLEAR AND MEDICAL APPLICATIONS** - Products are not designed or intended for use as critical components in life support systems, equipment used in hazardous environments, or nuclear control systems.

**TECHNICAL REVISIONS** - The appearance of products, including safety agency certifications pictured on labels, may change depending on the date manufactured. Specifications are subject to change without notice.