

6

5

4

3

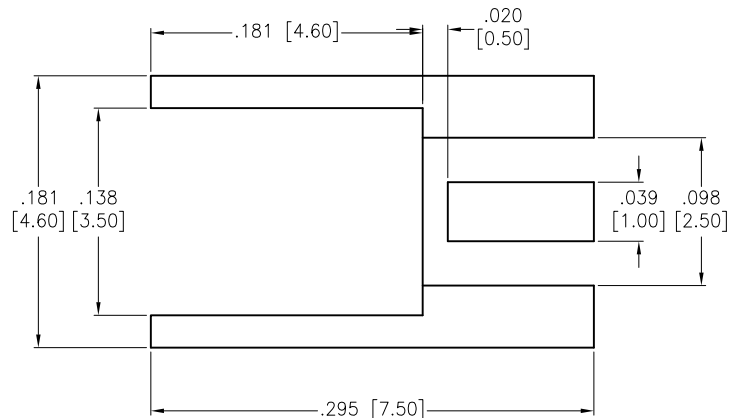
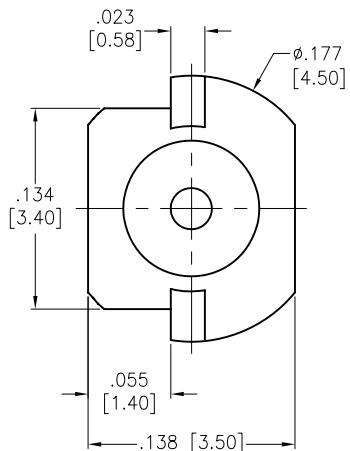
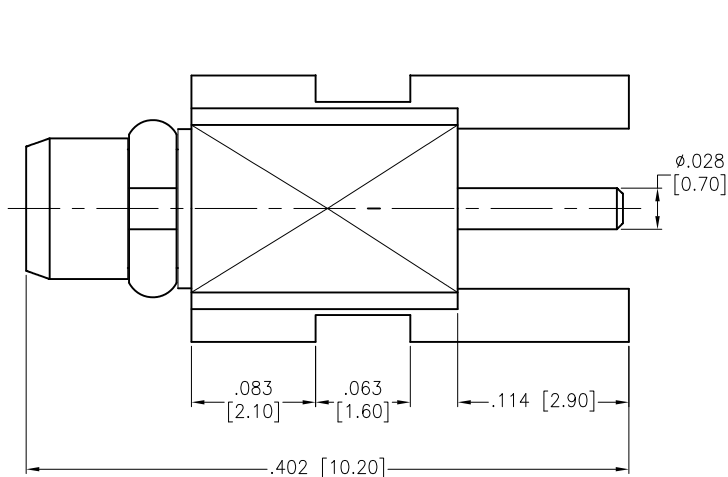
2

1

APPROVED: \_\_\_\_\_

DATE: \_\_\_\_\_ TITLE: \_\_\_\_\_

Rev	AWO #	Description	Date	Appr
-		RELEASED	7/20/16	



RECOMMENDED PCB LAYOUT

RING	BE CU	GOLD
CONTACT PIN	BRASS	GOLD
INSULATOR	PTFE	WHITE
BODY	BRASS	GOLD
DESCRIPTION	MATERIAL	FINISH

**SPECIFICATIONS:**

Electrical:  
 Nominal Impedance: 50 ohms  
 Frequency range: 0-6 GHz  
 Working Voltage: 170 VOLTS Max  
 Proof Voltage: 500 VOLTS  
 Temperature Rating:  
 Operating temperature: -55°C to +155°C  
 Environmental:  
 Lead free, RoHS compliant.



UNLESS OTHERWISE SPECIFIED ALL DIMENSIONS ARE INCHES [MM] TOLERANCES: EXCEPT AS NOTED		
INCHES		
.X	± .10	∅.X ± .10
.XX	± .020	∅.XX ± .015
.XXX	± .015	∅.XXX ± .010
APPROVALS		DATE
DRAWN	AY	7/20/16
CHECKED	SY	7/20/16
APPROVED		

**ADAM TECH**  
 909 Rahway Avenue, Union, NJ 07083  
 Phone: 908-687-5000 Fax: 908-687-5710

TITLE: **RF CONNECTOR, TYPE MMCX STR.  
50 OHM, PCB MOUNT, PLUG**

SIZE <b>X</b>	PART NO. <b>RF12-35A-T-00-50-G</b>	REV. -
REF: S00277T	SCALE: NTS	SHEET 1 OF 1

6

5

4

3

2

1