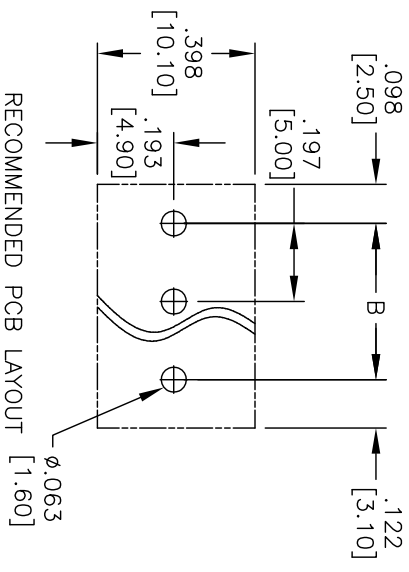
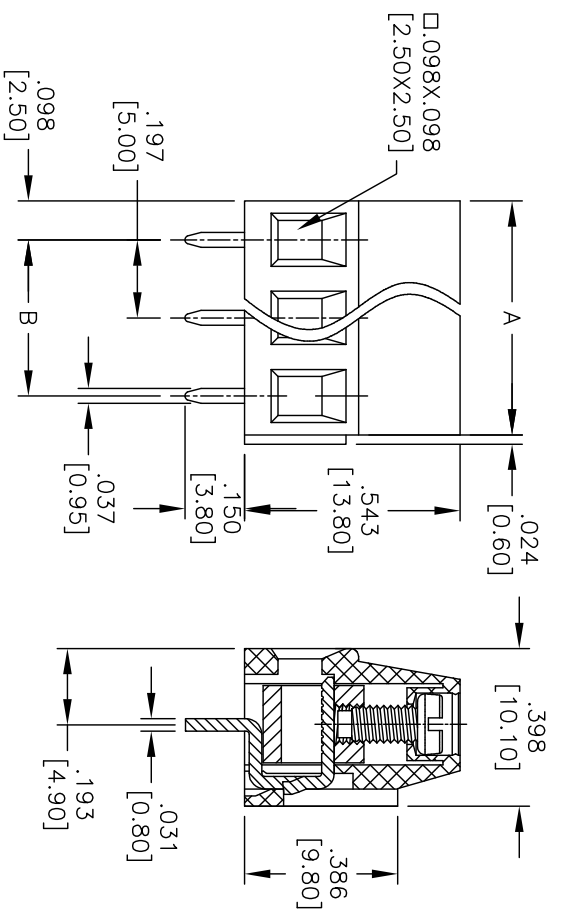
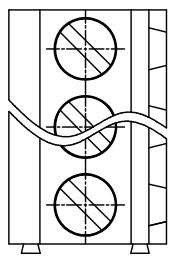


APPROVED: \_\_\_\_\_  
 DATE: \_\_\_\_\_ TITLE: \_\_\_\_\_



Poles: 2 thru 24  
 A = .197 [5.00] X No. of Positions  
 B = .197 [5.00] x No. of Spaces

	Tolerance
2-6P	±.006 [0.15]
7-12P	±.008 [0.20]
13-18P	±.012 [0.30]
19-24P	±.016 [0.40]

**SPECIFICATIONS:**

**Material:**  
 Insulator: Thermoplastic, rated UL 94V-0  
 Insulator color: Green  
 Screw: M2.5, Steel, Zn plated.  
**Contact:** Brass, Tin plated.  
**Electrical:**  
 Operation voltage: 300 VAC  
 Current rating: 10 Amps  
**Mechanical:**  
 Solid wire (AWG): 12-24  
 Stranded wire (AWG): 12-24  
 Withstanding Voltage: 1.6KV  
 Wire strip length: 6-7mm  
**Temperature Rating:**  
 Operating temperature: -40°C to +115°C  
**Environmental:**  
 Lead free, RoHS compliant.



Rev	AWO #	Description	Date	Appr
-		RELEASED	9/14/11	
A		ADDED SPEC.	6/27/13	

**ADAM TECH**

909 Rahway Avenue, Union, NJ 07083  
 Phone: 908-687-5000 Fax: 908-687-5710

TITLE: EURO BLOCK, .197" [5.00] PITCH

UNLESS OTHERWISE SPECIFIED	
ALL DIMENSIONS ARE MM [INCHES]	
TOLERANCES: EXCEPT AS NOTED	
INCHES	HOLES
X ± .10	ØX ± .10
.XX ± .020	ØXX ± .015
.XXX ± .015	ØXXX ± .010
APPROVALS	
DRAWN AY	DATE 9/14/11
CHECKED	
APPROVED	

SIZE	PART NO.	REV.
X	EB20-XX-C	
REF: S0007T	SCALE: NTS	SHEET 1 OF 1