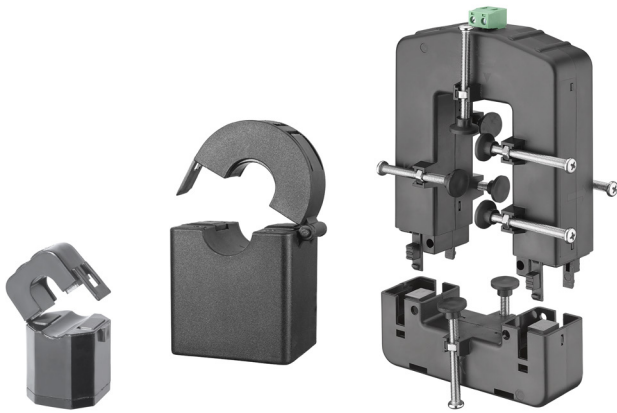


## Split core current sensor



### Benefits

- **Adaptability and flexibility.** Effective for a wide range of currents, it can be installed in existent applications.
- **Fast installation.** The opening/closing mechanism makes installation fast even in existent applications.

### Description

Split core current sensor (333 mV output) with compact dimensions, suitable for retrofit applications when used in combination with EM210 72 D MV energy analyzer.

It manages primary current from 60 A to 800 A (it depends on the model).

### Applications

CTV is the ideal solution for quick and easy installation without disconnecting cables during installation. It is indicated for any application (residential, commercial and industrial), especially for retrofitting where installing a solid core current transformer is not possible.

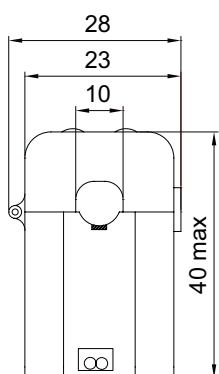
### Main features

- Suitable for retrofit applications
- 9.5 to 36 mm hole diameter
- 50 x 90 mm hole diameter (CTV-8X model only)
- Cable length: 1.5 m
- Detachable screw terminals (CTV-8X model only)
- 333mV secondary output voltage

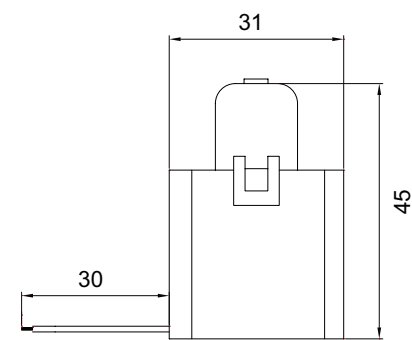
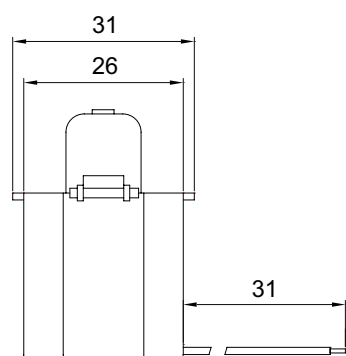
# Features

**General**

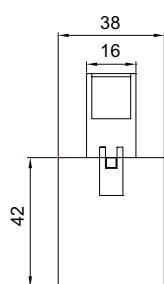
<b>Material</b>	PA66
<b>Protection degree</b>	IP20
<b>Secondary output</b>	cable, 24 AWG (0.3mm <sup>2</sup> ) Detachable screw terminals (CTV-8X)
<b>Mounting</b>	Cable Busbar (CTV-8X)
<b>Weight (g)</b>	CTV1X: 60 CTV2X: 66 CTV3X: 118 CTV4X: 200 CTV6X: 300 CTV8X: 725



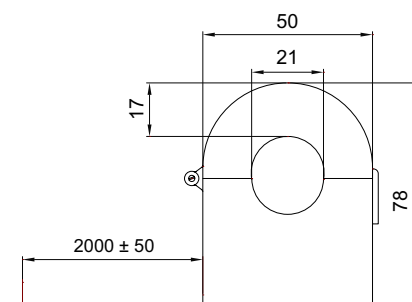
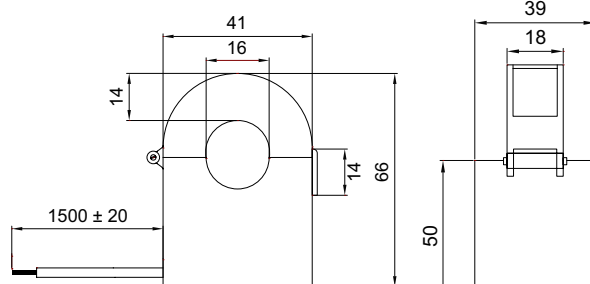
**Fig. 1 CTV-1X**



**Fig. 2 CTV-2X**



**Fig. 3 CTV-3X**



**Fig. 4 CTV-4X**

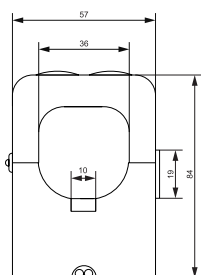


Fig. 5 CTV-6X

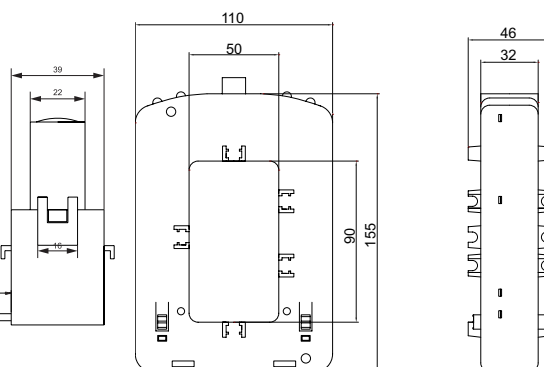


Fig. 6 CTV-8X

**Environmental specifications**

<b>Operating temperature</b>	-40° to +65°C (-40 to 149 F°)
<b>Storage temperature</b>	-45° to +80°C (-49 to 176 F°)

**UL note:** insulation class: A (105), 55 °C rise type at 30°C ambient

**Conformity**

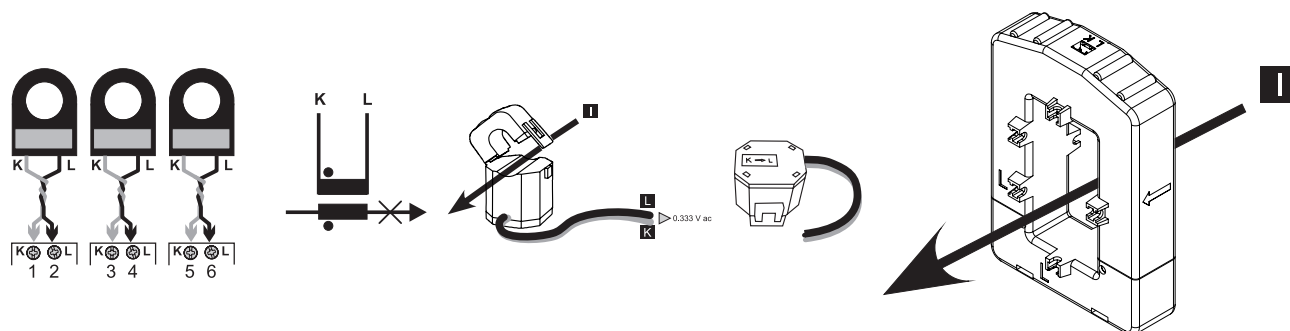
<b>Approvals</b>	
------------------	--

**Electrical specifications**

<b>Maximum current (continuous)</b>	1.2 x I <sub>n</sub>
<b>Secondary output</b>	333 mV
<b>Rated system voltage</b>	600 V ac
<b>Accuracy</b>	Class 1 according to EN 61000-4-8
<b>Winding DC resistance at 20°C</b>	CTV1X: 560 Ω max CTV2X: 384 ± 10 Ω max CTV3X: 160 Ω max CTV4X: 130 Ω max CTV6X: 90 Ω ±10%
<b>Dielectric withstand voltage (Hi-pot)</b>	CTV1X, CTV2X: 2.5k V ac/1min Other models: 3k V ac/1min

Model	Primary current (A)	Max cable diameter (mm)	Max busbar size (mm)
CTV-1X	60	10	-
CTV-2X	100	16	-
CTV-3X	200	16	-
CTV-4X	200 400	21	-
CTV-6X	400	36	-
CTV-8X	800	-	50 X 90

## Connection Diagrams



## References

 CTV  X  333MV

Enter the code, replacing the symbol  with the selected option (e.g.: CTV **1X 60A** 333MV).

Code	Options	Description
C	-	-
T	-	-
V	-	-
<input type="checkbox"/>	1X 60 A 2X 100 A 3X 200 A 4X 200 A 4X 400 A 6X 400 A 8X 800 A	Model and primary current
333 mV	-	Secondary current

### Further reading

Information	Document	Where to find it
Instruction manual	Instruction manual: CTV_X	<a href="http://www.productselection.net">www.productselection.net</a>

### CARLO GAVAZZI compatible components

Purpose	Component name/code key	Notes
Measure and display consumption of connected circuits	EM210, EM271, ET272	-
Connect CTV to EM271 or to ET272	TCDMM	-



COPYRIGHT ©2019  
Content subject to change. Download the PDF: [www.productselection.net](http://www.productselection.net)