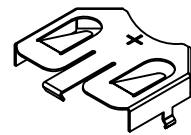
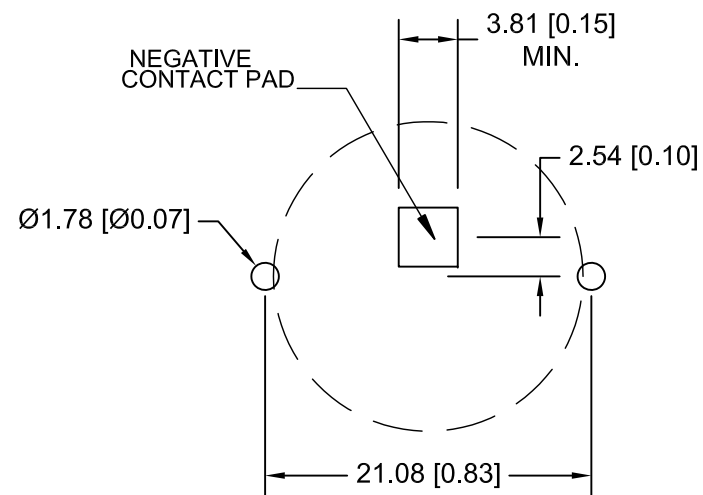
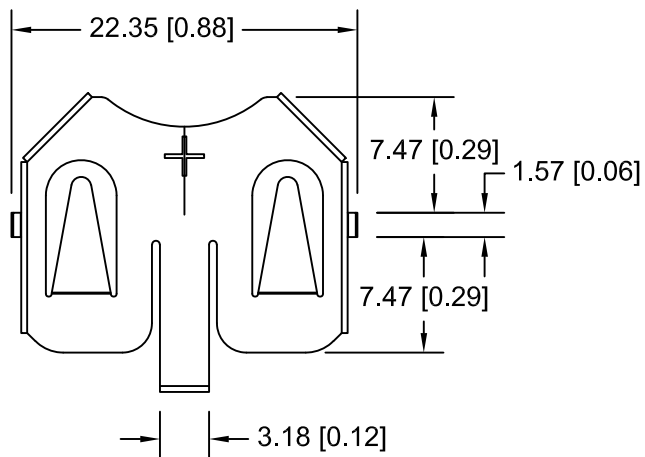


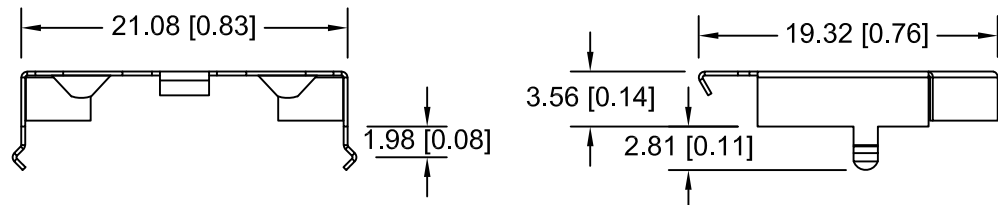
Date	SYM	REVISION RECORD	AUTH	DR.	CK.
04/15/21	A	Added vibration test info. and shock test info.	T.B.	B.S.	



ISO VIEW




PCB LAYOUT



NOTES:

1. MATERIAL:  
0.25mm PHOSPHOR BRONZE, NICKEL PLATED OVERALL.  
ROHS COMPLIANT
- \* VIBRATION TEST: 10-50-10 HZ SWEEPED IN 60 SECONDS  
X,Y,Z DIRECTION: 1 HOUR EACH DIRECTION
- \* RESULT: NO DISLODGEEMENT OF THE CELL OR DAMAGE  
NO DISCONTINUITY OVER 10 MICRO-SECONDS
- \* SHOCK TEST: HALF SINE WAVE ACCELERATION 150G.  
6 MILLISECONDS  
3 SHOCK PULSES EACH DIRECTION PER  
AXIS, TOTAL OF 18 PULSES
- \* RESULT: NO EVIDENCE OF PHYSICAL DAMAGE

Tolerance (Except as noted)	 <b>Memory Protection Devices, Inc</b> 200 Broad Hollow Road, Farmingdale, New York 11735	Scale	Drawn By B.S.
			Approved By T.B.
decimal ±.1 (.004)	Title CR2032 BATTERY RETAINER WITH PC PINS		
Fractional ± .2 (.008)	Date 04/15/21	Drawing Number BK-921	
Angular ± 1°			