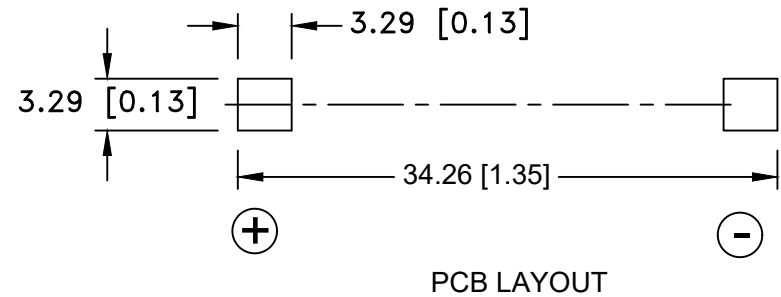
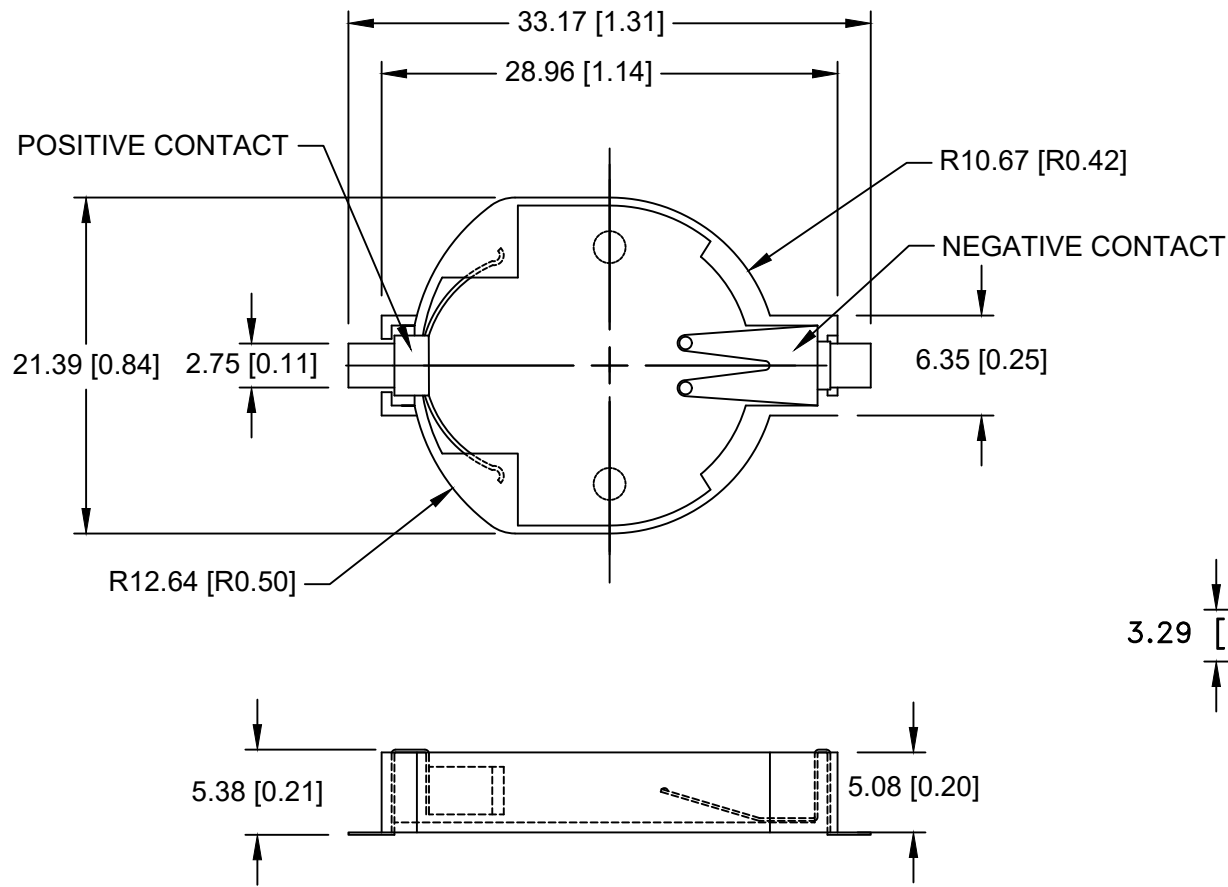


Date	SYM	REVISION RECORD	AUTH	DR.	CK.
12/02/16	F	MATERIAL COLOR CHANGED FROM BLACK TO OFF WHITE	T.B.	B.S.	
03/26/19	G	UPDATED TO "ROHS COMPLIANT"	T.B.	B.S.	
10/07/19	H	ADDED WEIGHT OF THE PART	T.B.	B.S.	




SPECIFICATIONS:

- * Holder material- LCP, 30% Glass Filled, UL94V-0, Color: Off White
Temperature range: -40°C to +240°C,
- * Contacts : Stainless Steel 301, spring temper, Nickel Plated,
- * Vibration test: 10-50-10 hz swept in 60 seconds
x,y,z direction: 1 hour each direction
- * Result: no dislodgement of the cell or damage
no discontinuity over 10 micro-seconds
- * Shock test: half sine wave acceleration 150g.
6 ms 3 shock pulses each direction per axis,
total of 18 pulses
- * Result: no evidence of physical damage
- * Drop Test: Mounted on board and dropped 5 times from 1m high to concrete floor
- * Result: No dislodgement of the cell, No damage to the holders

* ROHS COMPLIANT

Weight: 1.20 g.

Tolerance (Except as noted)	 Memory Protection Devices, Inc 200 Broad Hollow Road, Farmingdale, New York 11735		
decimal ±.5 (.020)	Scale	Drawn By B.S.	
Fractional ± .8 (.030)	Title	Approved By T.B.	
Angular ± 3°	Date	Drawing Number	
	10/07/19	BC2032-F1	