

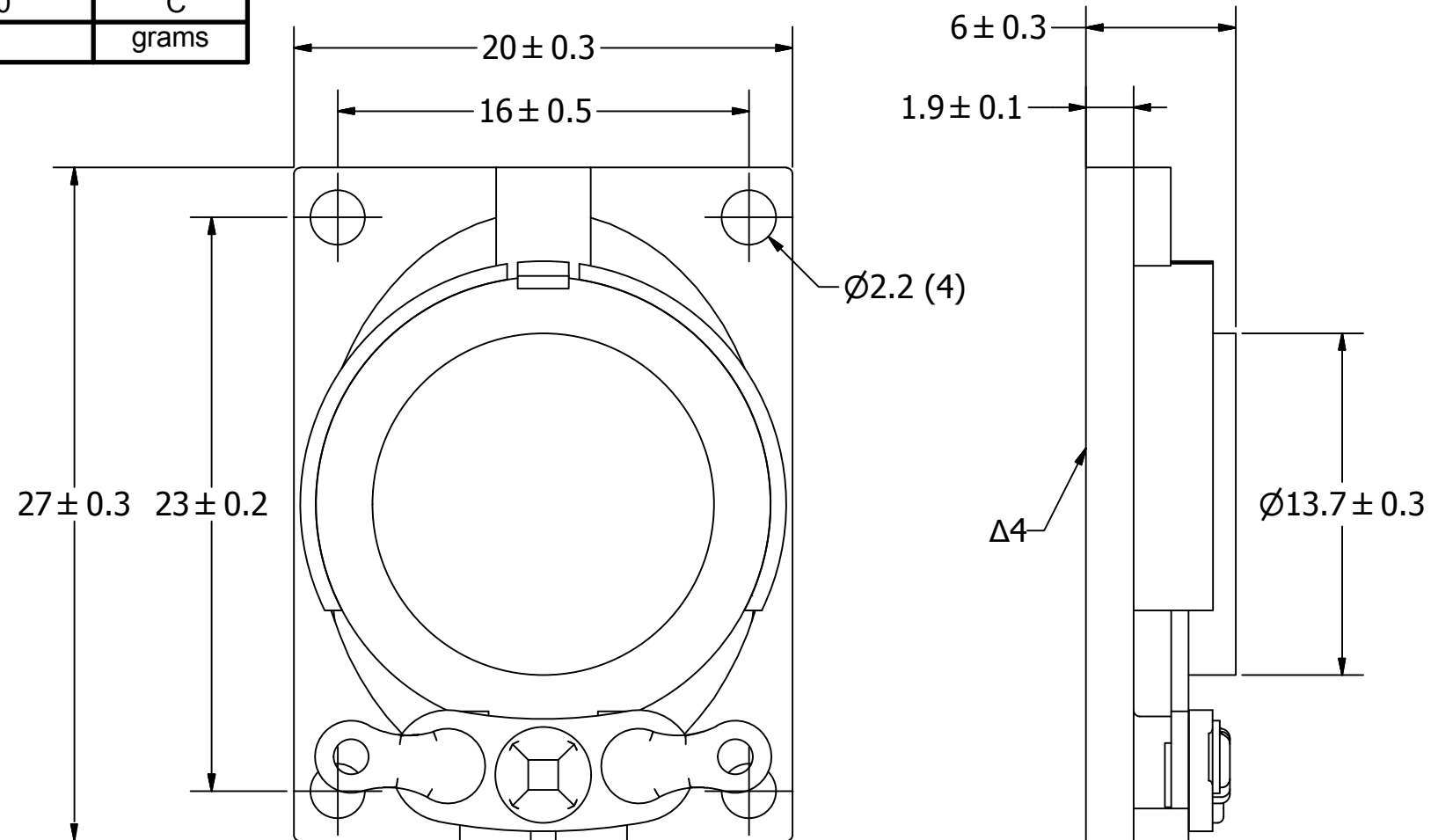
SPECIFICATIONS

PARAMETERS	VALUES	UNITS
RATED INPUT POWER	1	W
MAX INPUT POWER	3	W
IMPEDANCE	8 ± 15%	OHM
OUTPUT SPL @ 1W/0.5M (AT 0.8, 1.0, 1.2, 1.5 kHz)	80 ± 3	dBA
DISTORTION (MAX.)	5%	-
RESONANT FREQUENCY	750 ± 20%	Hz
FREQUENCY RANGE	250 ~ 20,000	Hz
HOUSING MATERIAL	ABS	-
CONE MATERIAL	TREATED CLOTH	-
MAGNET MATERIAL	Nd-Fe-B	-
OPERATING TEMPERATURE	-20 ~ +60	°C
WEIGHT	4.5	grams

THIS DOCUMENT CONTAINS DATA PROPRIETARY TO PROJECTS UNLIMITED, INC. ANY USE OR REPRODUCTION, IN ANY FORM, WITHOUT PRIOR WRITTEN PERMISSION OF PROJECTS UNLIMITED, INC. IS PROHIBITED.
©2003, Projects Unlimited Inc.

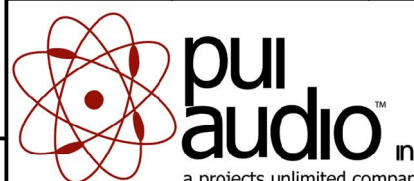
REVISION HISTORY

LTR	DESCRIPTION	DATE	APPROVED
-	RELEASED FROM ENGINEERING	8/17/2006	
A	REVISED TO INVENTOR 3-D DRAWING TEMPLATE	10/7/2008	B.R.
B	REVISED WIDTH, HEIGHT, & RESAONANT FREQUENCY	6/29/2010	J.D.
C	ADDED NOTE 5	8/11/2011	B.R.
D	REVISED HOLE TO HOLE DIMENSION AND RESONANT FREQUENCY	2/11/2015	M.L.



NOTES:

1. ALL DIMENSIONS ARE IN MILLIMETERS.
2. SPECIFICATIONS SUBJECT TO CHANGE OR WITHDRAWL WITHOUT NOTICE.
3. THIS PART IS RoHS 2011/65/EU COMPLIANT.
- Δ4. CONE HAS BEEN TREATED FOR WATER RESISTANCE.
5. BASE SPEAKER PUI# AS02708CO-R.

UNLESS OTHERWISE SPECIFIED:	SIZE	Designed by	Date	Checked by	Date	Approved by	Date	Drawn Date	
DIMENSIONS ARE IN MILLIMETERS, TOLERANCES ARE ±0.5 AND ANGLES ARE ±3°.	A3	J.D.	8/17/2006	R.W.	8/17/2006	B.R.	8/17/2006	10/7/2008	
AS02708CO-WR-R.idw				AS02708CO-WR-R				Speaker	
							Edition	Sheet	
							-	1 / 1	