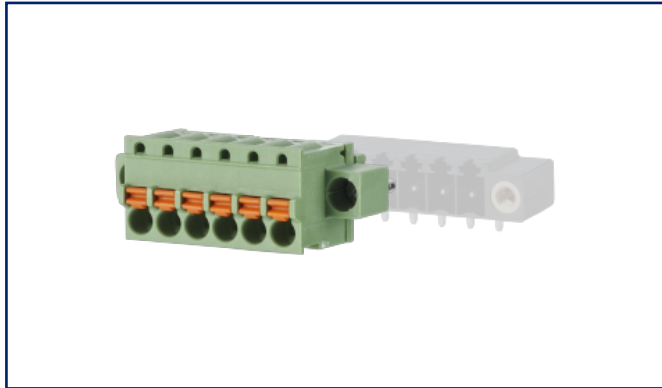


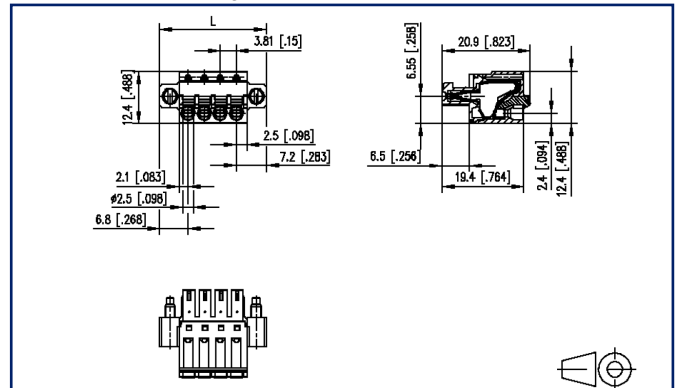
# Data sheet

SP064xxVGNF ASP084

## Illustrations



Dimensional drawing





See enlarged drawings at the end of document

## Product specification

- spring clamp terminal block, pluggable
- centerline 3.81 mm, direction of connection vertical 0°
- color green, mounting flange
- push-button, wire entry uncodeable side parallel to plug direction



## Technical Data

General Data			
min. number of poles	2		
max. number of poles	24		
Insulating material class	CTI 600		
clearance/creepage dist.	1.9 mm		
Protection category	IP20		
Min. insul. strip length	9 mm		
Rated current	8 A		
Overvoltage category	III	III	II
Pollution degree	3	2	2
Rated voltage	50 V	250 V	250 V
Rated test voltage	2.5 kV	2.5 kV	2.5 kV
Terminal data			
rat.wiring solid AWGmax	0.08 mm <sup>2</sup> - 1.5 mm <sup>2</sup> / AWG 28 - AWG 16		
rat.wiring strand.AWGmax	0.08 mm <sup>2</sup> - 1.5 mm <sup>2</sup> / AWG 28 - AWG 16		
Approvals			
 V / A / AWG	150 / 8 / 28 - 16		
approval UL - File No.	E121004		
 1.5 mm <sup>2</sup>	130 V / 2.5 kV / 9 A		
Material			
insulating material	PA66		
flammability class	V0		
spring material	Spring steel		
contact material	CuSn		
Contact surface	Sn		
Glow-Wire Flammability GWFI	960 °C acc. to IEC 60695-2-12		
Glow-Wire Flammability GWIT	775 °C acc. to IEC 60695-2-13		
Climatic Data			
upper limit temperature	105 °C		
lower limit temperature	-40 °C		
general			

# U | Contact

Data sheet

**SP064xxVGNF ASP084**

Page 3/5

P/N

**ASP084xx**

**xx=number of poles**

2023/07/03

Version: O

## Technical Data

Tolerance

ISO 2768 -mH



# U | Contact

Data sheet

**SP064xxVGNF ASP084**

Page 4/5

P/N

**ASP084xx**

**xx=number of poles**

2023/07/03

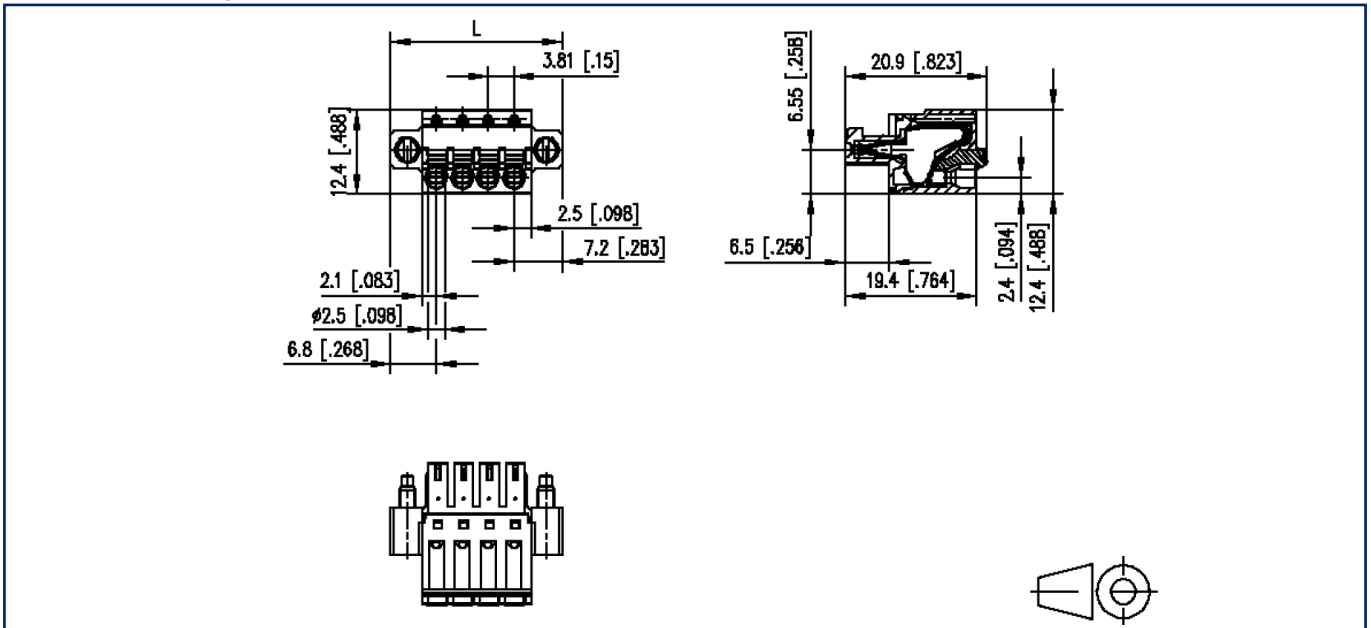
Version: O

## Counterpart

P/N	Designation
313901	PR044xxHBBF Type 390
313911	PR044xxVBBF Type 391
313921	PT094xxHBBF Type 392
313931	PT094xxVBBF Type 393

### Illustrations

#### Dimensional drawing



$L = (\text{pole size} - 1) \times \text{centerline} + 13.96 \text{ mm} [0.55]$