

Customer Part:

Description

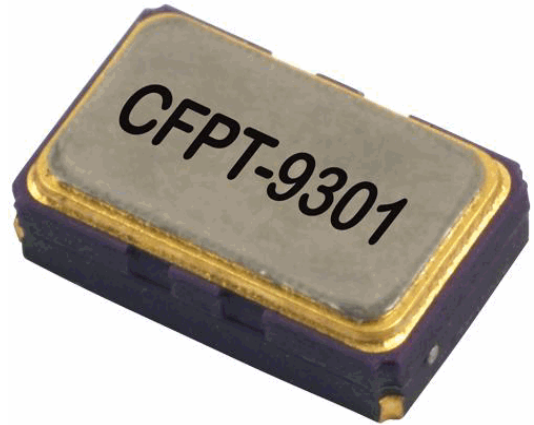
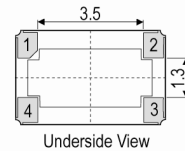
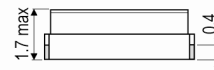
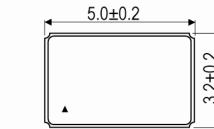
- Surface mount temperature compensated voltage controlled crystal oscillator.
- Freq Adj option
Option A (standard):
Ageing adjustment by means of external Control Voltage applied to pad 1
Range (frequency \leq 20MHz) \geq \pm 5ppm
Range (frequency $>$ 20MHz) \geq \pm 7ppm
Linearity \leq 2%
Slope Positive
Input resistance \geq 100k Ω
Modulation bandwidth \geq 2kHz
Standard control voltage range 1.5V \pm 1V
- Model CFPT-9301-A
- Model Issue number 7

Frequency Parameters

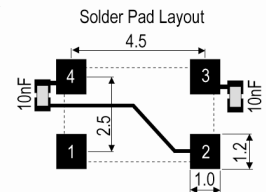
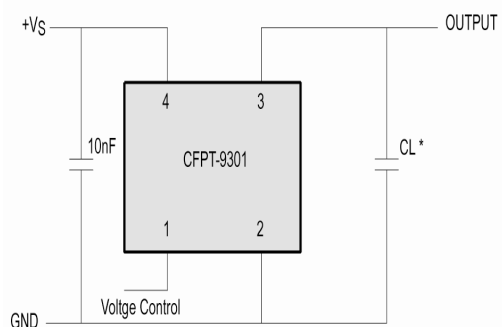
- Frequency 50.0MHz
- Frequency Tolerance \pm 1.00ppm
- Frequency Stability \pm 1.00ppm
- Operating Temperature Range -40.00 to 85.00 $^{\circ}$ C
- Ageing \pm 1ppm max in 1st year (see Note 1)
- Supply Voltage Variation (@ \pm 5% change):
Frequency $<$ 20MHz: \pm 0.1ppm typ
Frequency 20MHz to $<$ 35MHz: \pm 0.3ppm typ
Frequency 35MHz to 52MHz: \pm 0.5ppm typ
- Load Variation (@ \pm 5pF change):
Frequency $<$ 20MHz: \pm 0.2ppm typ
Frequency 20MHz to $<$ 35MHz: \pm 0.3ppm typ
Frequency 35MHz to 52MHz: \pm 0.5ppm typ
- Note 1 Ageing:
Frequency \leq 20MHz: \pm 1ppm max in 1st year
Frequency \leq 20MHz: \pm 3ppm max for 10 years (including the 1st year)
Frequency $>$ 20MHz: \pm 2ppm max in 1st year
Frequency $>$ 20MHz: \pm 5ppm max for 10 years (including the 1st year)

Electrical Parameters

- Supply Voltage 3.3V \pm 10%
- Supply Current (typical):
HCMOS: $1 + \text{Frequency(MHz)} * \text{Supply(V)} * \{ \text{Load(pF)} + 15 \} * 1E-3 \text{mA}$
i.e @ 20MHz, 3.3V, 15pF \approx 3mA
Calculation: $1 + (20 \times 3.3 \times (15 + 15) \times 0.001) = 2.98 \text{mA}$
- Supply Voltage Tolerance: Parts will operate correctly with \pm 10% supply voltage variation but supply coefficient is measured with \pm 5% variation
- Frequency Adjustment - option B
No frequency adjustment
Initial calibration: \leq \pm 1.0ppm
- Start Up Time: 5ms max


Outline (mm)


- Pad Connections
1. Voltage Control (Option A) or NC (Option B)
 2. GND
 3. Output
 4. +Vs


Test Circuit


* Load 15pF (HCMOS), inclusive of probe and jig capacitance

Sales Office Contact Details:

UK: +44 (0)1460 270200

USA: +1.760 668 8935

 Email: info@iqdfrequencyproducts.com

 Web: www.iqdfrequencyproducts.com

Customer Part:

Frequency Adjustment

- Pulling Optional
- Frequency Adjustment - option A (standard):
Ageing adjustment by means of external Control Voltage applied to pad 1
Range (frequency ≤ 20MHz): ≥±5ppm
Range (frequency > 20MHz): ≥±7ppm
Linearity: ≤2%
Slope: Positive
Input resistance: ≥100kΩ
Modulation bandwidth: ≥2kHz
Standard control voltage range: 1.5V ±1V

Output Details

- Output Compatibility HCMOS
- Drive Capability 15pF max
- Rise and Fall Time 8.0ns max
- Duty Cycle 45/55%

Output Levels

- Output Level:
VoH ≥ 90% VS
VoL ≤ 10% VS

Environmental Parameters

- Storage Temperature Range: -55 to 125°C
- Shock: IEC 60068-2-27, Test Ea: 1500G acceleration for 0.5ms, 3 shocks in each of 3 mutually perpendicular planes
- Vibration: IEC 60068-2-6, Test Fc: 10-60Hz 1.5mm displacement, 60-2000Hz at 20G, 4 hours in each of three mutually perpendicular axes at 1oct/min

Compliance

- RoHS Status (2015/863/EU) Compliant
- REACH Status Compliant
- MSL Rating (JDEC-STD-033): 3

Packaging Details

- Pack Style: Bulk Loose in bulk pack
Pack Size: 10
- *Alternative packing option available*

Test Circuit

Typical Phase Noise at 14.4MHz

Sales Office Contact Details:

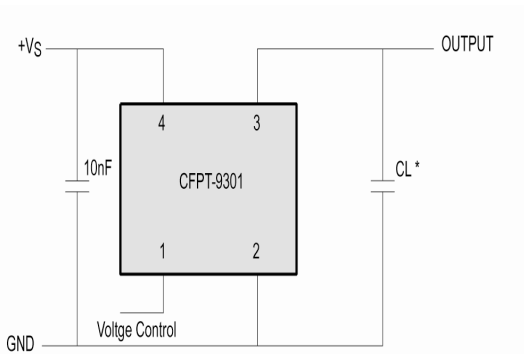
UK: +44 (0)1460 270200

USA: +1.760 668 8935

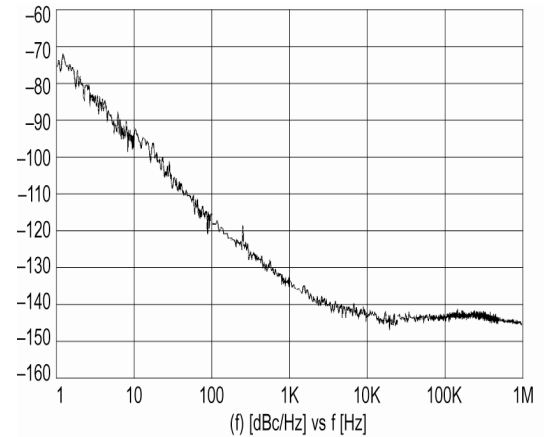
Email: info@iqdfrequencyproducts.com

Web: www.iqdfrequencyproducts.com

Customer Part:



* Load 15pF (HCMOS), inclusive of probe and jig capacitance



Chipset Approval Table

Ref No.	Frequency	Chipset Type	IC Supplier
E4190LF	12.8MHz	ACS1790T, ACS9510, ACS9520T, ACS9522T, ACS9550, ACS9593T, ACS8522BT, ACS8509, ACS8510, ACS8514, ACS8515, ACS8520, ACS8520A, ACS8522	Semtech
E4191LF	12.8MHz	ACS1790T, ACS9510, ACS9520T, ACS9522T, ACS9550, ACS9593T, ACS8522BT, ACS8509, ACS8510, ACS8514, ACS8515, ACS8520, ACS8520A, ACS8522	Semtech
E4437LF	12.8MHz	ACS1790T, ACS9510, ACS9520T, ACS9522T, ACS9550, ACS9593T, ACS8522BT, ACS8509, ACS8510, ACS8514, ACS8515, ACS8520, ACS8520A, ACS8522	Semtech
E4438LF	20MHz	ZL30152, ZL30155, ZL30157, ZL30159, ZL30160, ZL30165	Microsemi
E4439LF	20MHz	ZL30152, ZL30155, ZL30157, ZL30159, ZL30160, ZL30165	Microsemi
E4441LF	20MHz	ZL30152, ZL30155, ZL30157, ZL30159, ZL30160, ZL30165	Microsemi
E4698LF	12.8MHz	ACS1790T, ACS9510, ACS9520T, ACS9522T, ACS9550, ACS9593T, ACS8522BT, ACS8509, ACS8510, ACS8514, ACS8515, ACS8520, ACS8520A, ACS8522	Semtech

Sales Office Contact Details:

UK: +44 (0)1460 270200

USA: +1.760 668 8935

Email: info@iqdfrequencyproducts.com

Web: www.iqdfrequencyproducts.com