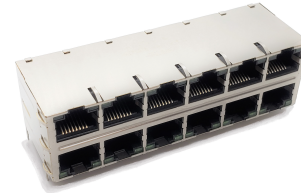


- 100/1000 Base-T Gigabit
- 12 Port
- Operating Temperature Range: -40°C to + 85°C



Electrical Specifications @ 25°C

OCL(μH Min) @100KHz, 0.1V With 8mA DC Bias	Turns Ratio (±2%)	Insertion Loss (dB Max)	Common Mode Rejection (dB Min)
350	1CT : 1CT	0.5-100MHz -1.1	0.5-100 MHz -30

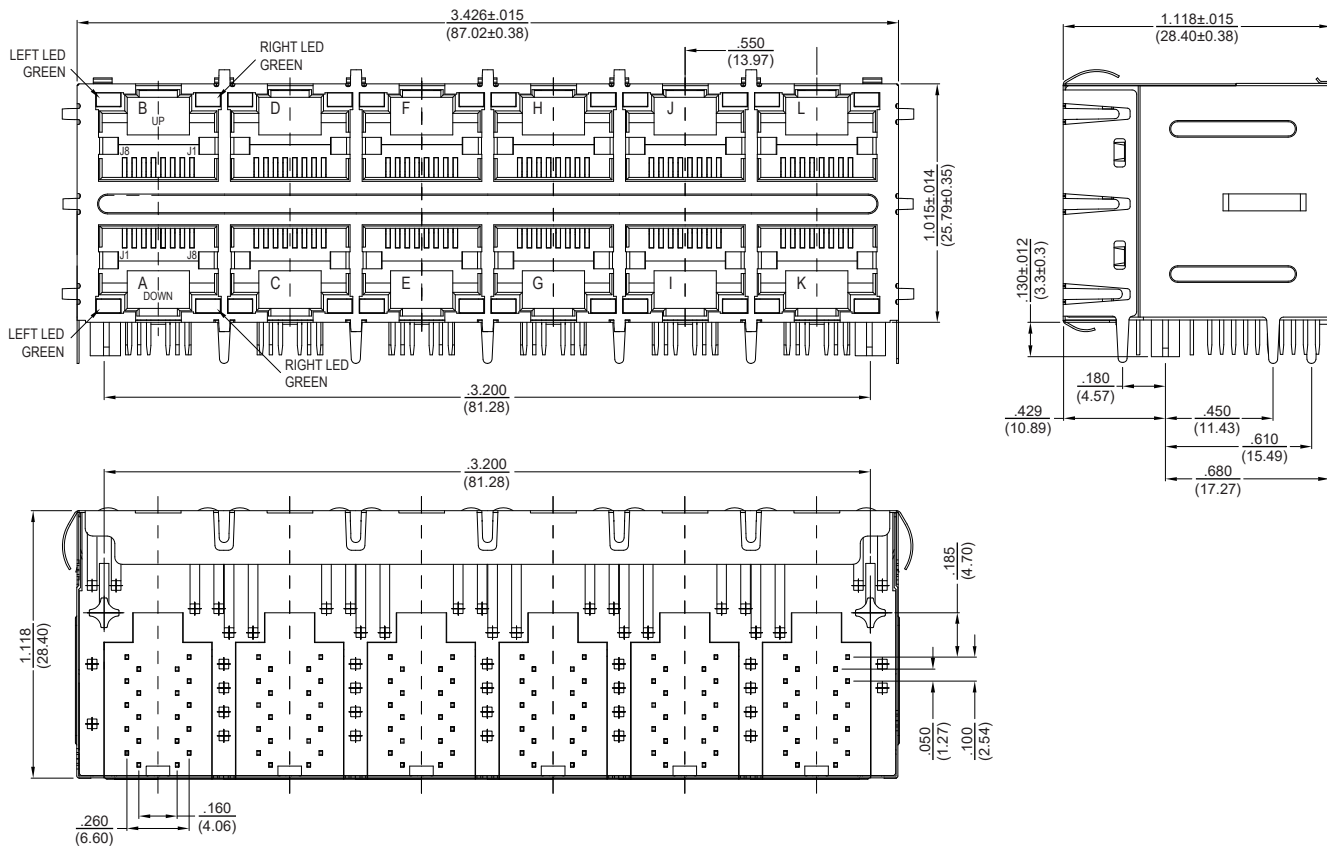
Electrical Specifications @ 25°C

Return Loss (dB Min)		Cross Talk (dB Min)		HiPot Vrms
0.5-40MHz	40.1-100MHz	0.5-40MHz	40.1-100MHz	
-18	-12-20Log (f/80MHz)	-35	-33-20Log (f/50MHz)	1500

All specifications subject to change without notice.

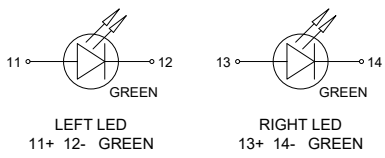
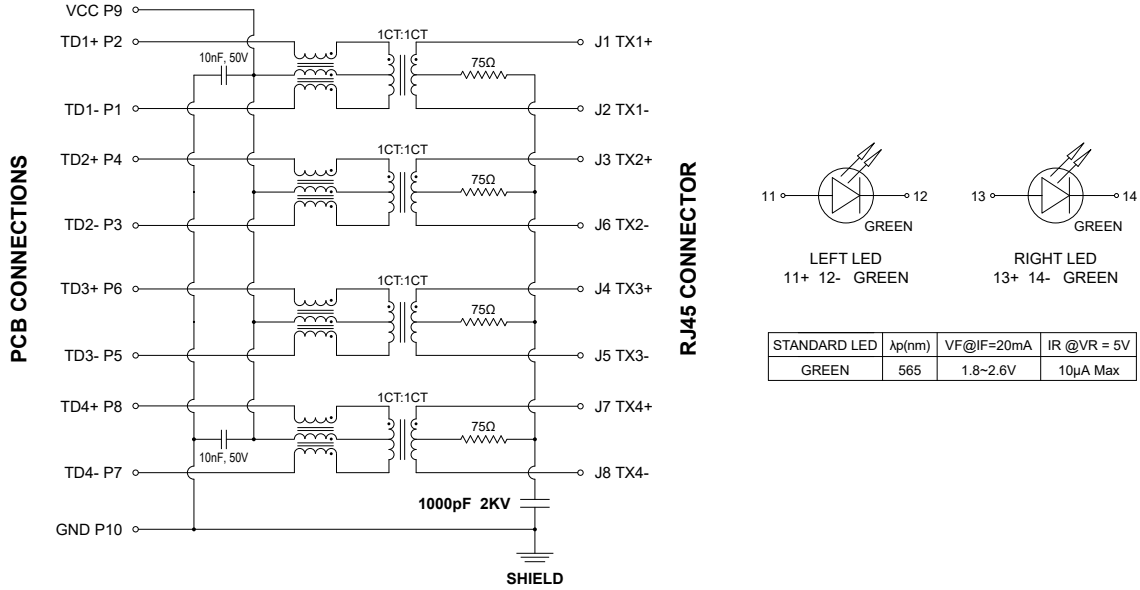
MECHANICAL

DIMENSIONS:  $\frac{\text{inch}}{\text{mm}}$





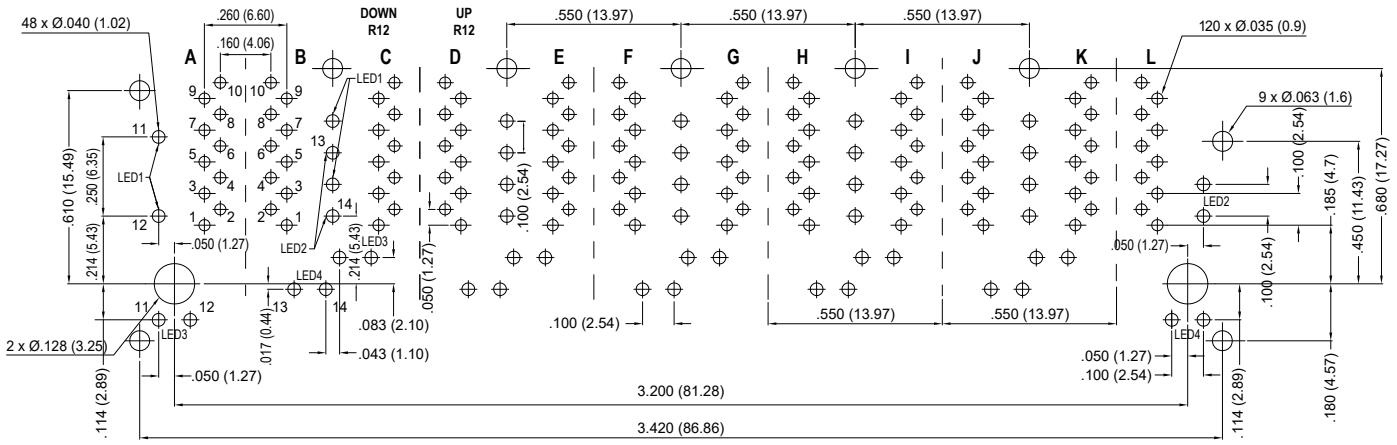
SCHEMATICS



STANDARD LED	λp(nm)	VF@IF=20mA	IR @VR = 5V
GREEN	565	1.8~2.6V	10μA Max

PCB LAYOUT

DIMENSIONS: inch (mm)



Unless otherwise specified, all dimensions tolerances are ±.010 (.25)

NOTES

- Connector Materials:  
Housing: Thermoplastic UL94V-0  
Contact/Shield: Copper Alloy  
Shield Plating: Nickel  
Contact Plating: Gold 6μ" min in contact area
- Wave Solder Peak Temp: 265°C Max, 5 Sec