

M2MAX[®] CC AP-M2M1

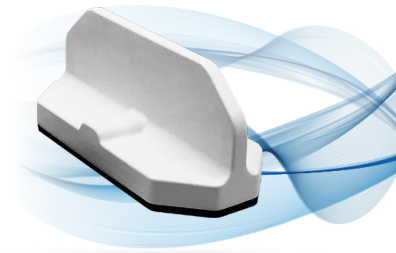
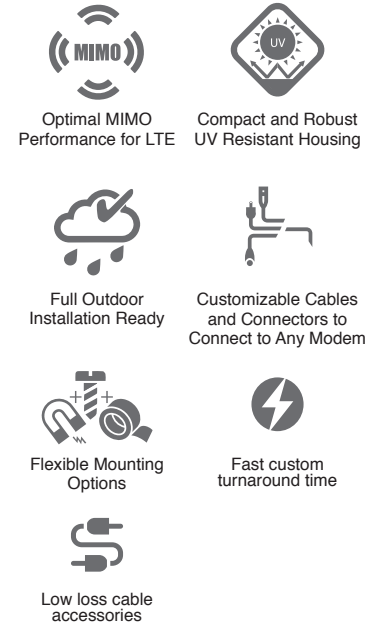
Double Cell / LTE MIMO Antenna

M2MAX CC AP-M2M1 is a fully rugged outdoor antenna designed specifically for M2M applications. This antenna provides best in class performance, providing two high gain cellular/LTE antennas inside a single robust and compact housing.

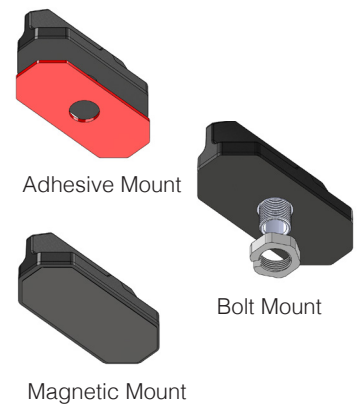
- Covers All Cellular/LTE Frequencies Globally
- 2 x Wideband Cellular/LTE Elements (MIMO)
- Lower profile and smaller footprint than competing solutions
- Must be mounted on metal
- Available in black or white
- US Patent 10109918

Descriptions/Applications

The M2MAX CC AP-M2M1 antenna builds on the best in class RF performance, leading design, features, and extended product life tradition of this highly successful product line. Ideal for charging stations, kiosks, digital signage, NEMA enclosures, wireless ATMs, vending machines, industrial metering and other wireless machine to machine applications. This antenna has been designed to mount externally to an M2M or IoT enabled asset, and requires no servicing through its life time.

- Optimal MIMO Performance for LTE
- Compact and Robust UV Resistant Housing
- Full Outdoor Installation Ready
- Customizable Cables and Connectors to Connect to Any Modem
- Flexible Mounting Options
- Fast custom turnaround time
- Low loss cable accessories



Standard Configurations

AP-M2M1-CC-Q-S22-BL-10	MIMO Cell/LTE x 2, Threaded bolt mount, SMA x 2, Black, 10ft coax
AP-M2M1-CC-A-S22-BL-10	MIMO Cell/LTE x 2, Adhesive mount, SMA x 2, Black, 10ft coax
AP-M2M1-CC-M-S22-BL-10	MIMO Cell/LTE x 2, Magnetic mount, SMA x 2, Black, 10ft coax

Also available in color white, customizable cable lengths up to 35 feet, and other connector variations.

Electrical Data

Frequency Range	Elements 1 & 2		698-960/1700-2700 MHz
Operational Bands	Elements 1 & 2		LTE/Cellular
Peak Gain: Isotropic	Elements 1 & 2	698-960 MHz	3 dBi
		1710-2700 MHz	6 dBi
Isolation	Elements 1 & 2		> 10 dB
Correlation Co-efficient	Elements 1 & 2		< 0.1

Environmental Data

Hazardous Substances	RoHS Compliant
Temperature	-40°C to 65°C (-40°F to + 149°F) Operating and Storage conformance to IEC 60068
Humidity (Non-Condensing)	5% to 96% Operating and Storage conformance to IEC 60068
Military Spec	MIL-STD 810 conformance to vibration

Mounting Data

Dimensions	Height	2.1" (54.6mm)
	Width	2.27" (57.7mm)
	Length	5.02" (127.5mm)
Color	Black (BL) or White (WH)	

Cable Data

Cell/LTE Cables	Type	CFD195 Low Loss
	Diameter	0.195" (4.953 mm)
	Length	1 feet (0.3 m)
	Termination	SMA Male