

LOW ESR, LOW CL CERAMIC SMD CRYSTAL

ABM8W Series

Request Samples



Check Inventory



3.2 x 2.5 x 0.8 mm
RoHS/RoHS II Compliant
 MSL Level = N/A



Features

- Optimized for energy saving wearables and IoT applications
- Plated at exceptionally low plating capacitance, as low as 4pF, with optimized ESR
- Seam sealed for long term reliability

Applications

- Wearables
- Internet of Things (IoT)
- Bluetooth/Bluetooth Low Energy (BLE)
- Wireless modules
- Machine-to-machine (M2M) connectivity
- Ultra-low power MCU
- Near Field Communication (NFC)
- ISM Band

Key Electrical Specifications

Parameters	Min.	Typ.	Max.	Units	Notes
Frequency Range	10.0000		54.0000	MHz	
Operation Mode	Fundamental				
Operating Temperature Range	-40		+125	°C	See options
Storage Temperature	-55		+125	°C	
Frequency Tolerance @ +25°C	-10		+10	ppm	See options
Frequency Stability over the Operating Temperature (ref. to +25°C)	-10		+10	ppm	See options
Equivalent series resistance (R1) (over -40°C to +125°C)		< 100	200	Ω	10.0000 – 11.9999MHz
		< 60	100		12.0000 – 15.9999MHz
		< 40	70		16.0000 – 19.9999MHz
		< 25	50		20.0000 – 29.9999MHz
		< 20	40		30.0000 – 39.9999MHz
		< 18	30		40.0000 – 54.0000MHz
Shunt capacitance (C0)		< 1.2	2.0	pF	
Load capacitance (CL)		4.0		pF	See options
Drive Level		10	100	μW	
Aging (1 year)	-2		+2	ppm	@ 25°C±3°C
Insulation Resistance	500			MΩ	@ 100Vdc ± 15V



5101 Hidden Creek Ln Spicewood TX 78669
 Phone: 512-371-6159 | Fax: 512-351-8858
 For terms and conditions of sales, please visit:
www.abracon.com

REVISED: 07-11-22

ABRACON IS
 ISO9001-2015
 CERTIFIED

LOW ESR, LOW CL CERAMIC SMD CRYSTAL

ABM8W Series

Request Samples



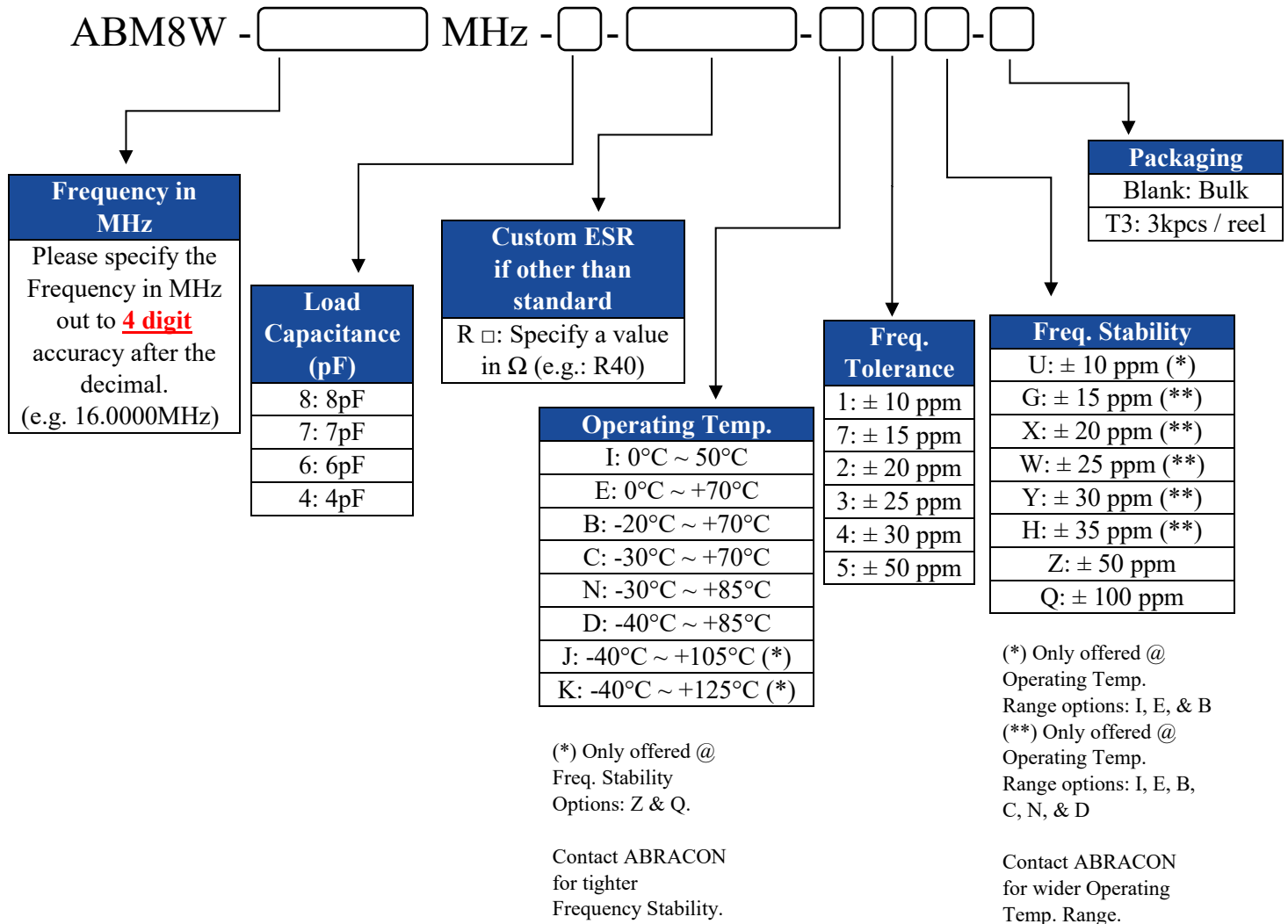
Check Inventory



3.2 x 2.5 x 0.8 mm
RoHS/RoHS II Compliant
MSL Level = N/A



Options and Part Identification [Note 1]



Note 1: Contact Abracon for part number requests with carrier frequency callouts up to 5 & 6 digit accuracy after the decimal.



5101 Hidden Creek Ln Spicewood TX 78669
Phone: 512-371-6159 | Fax: 512-351-8858
For terms and conditions of sales, please visit:
www.abracon.com

REVISED: 07-11-22

ABRACON IS
ISO9001-2015
CERTIFIED

LOW ESR, LOW CL CERAMIC SMD CRYSTAL

ABM8W Series

Request Samples

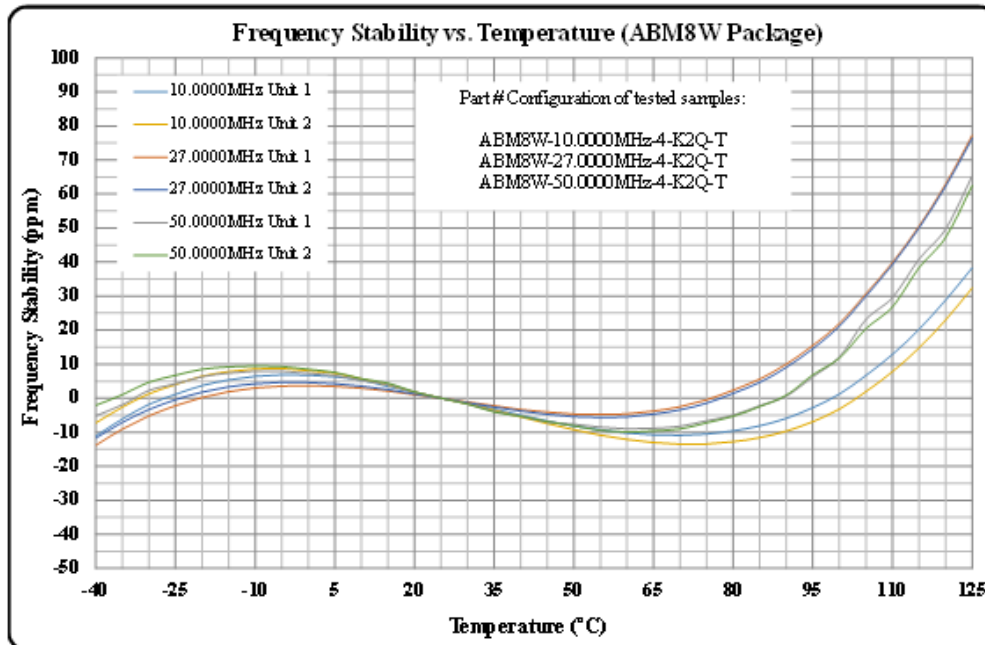
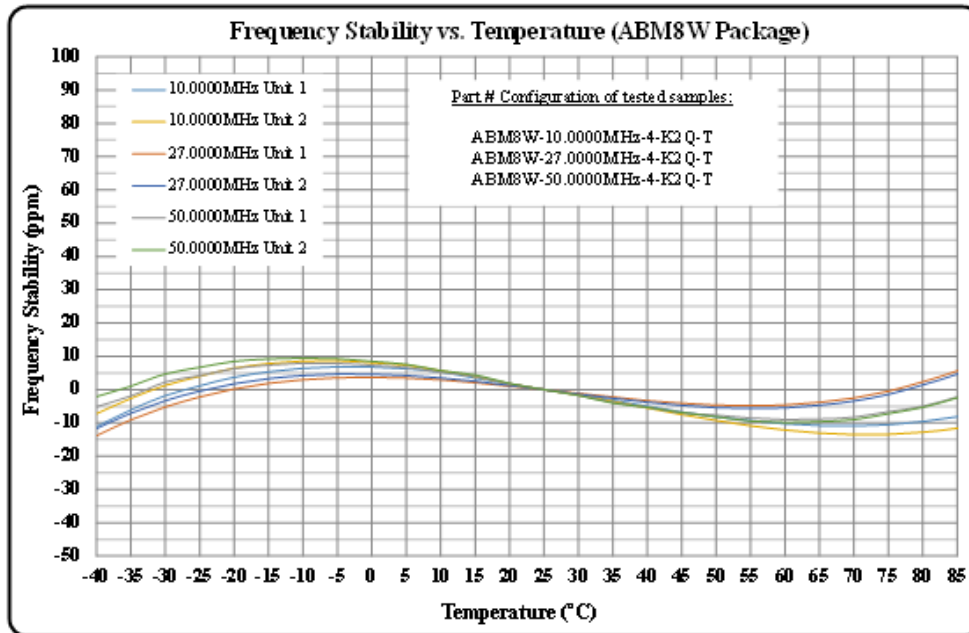


Check Inventory



3.2 x 2.5 x 0.8 mm
 RoHS/RoHS II Compliant
 MSL Level = N/A

Typical Frequency vs. Temperature Characteristics:



LOW ESR, LOW CL CERAMIC SMD CRYSTAL

ABM8W Series

Request Samples

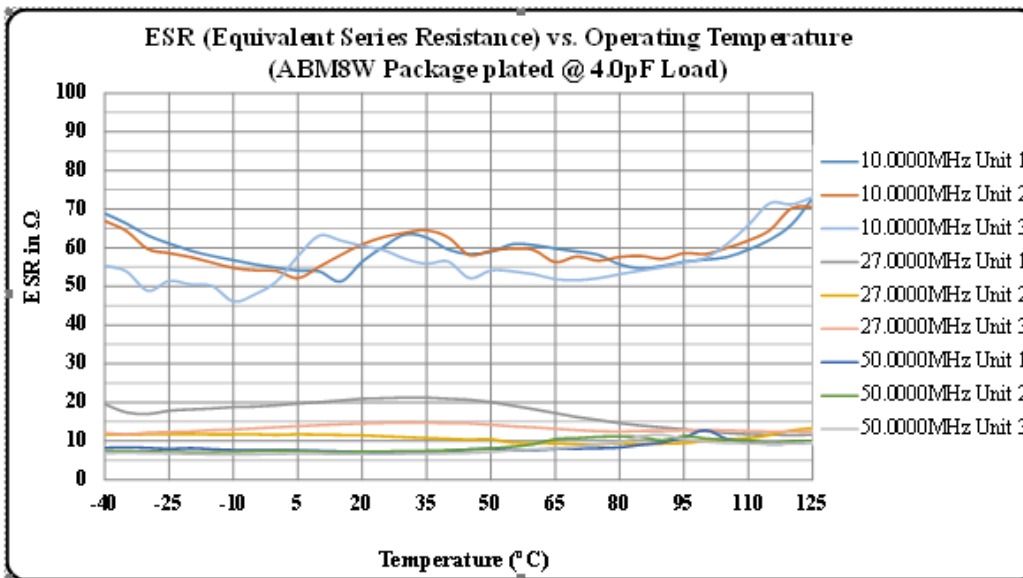
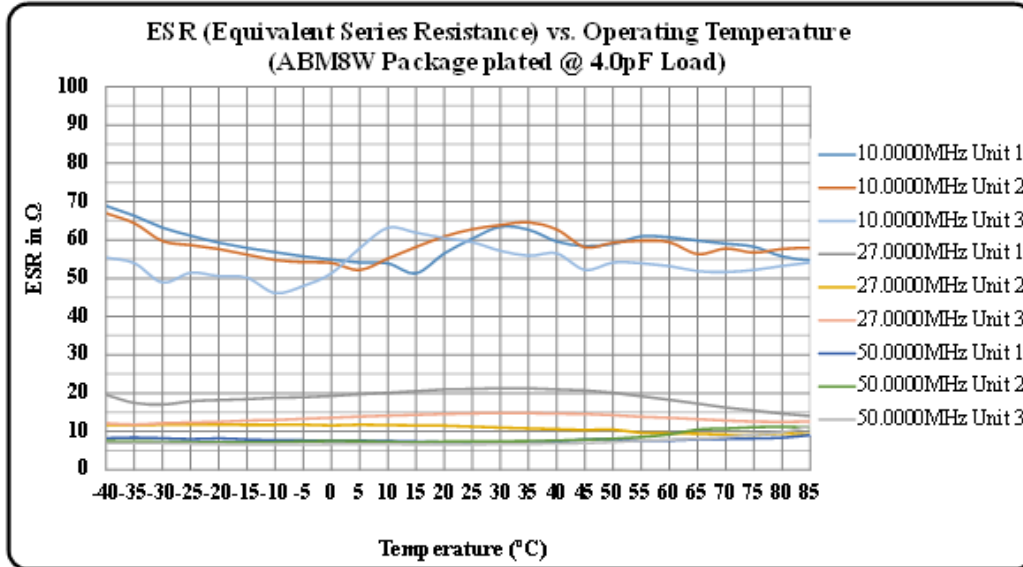


Check Inventory



3.2 x 2.5 x 0.8 mm
RoHS/RoHS II Compliant
MSL Level = N/A

Typical ESR (Equivalent Series Resistance) vs. Temperature Characteristics:



LOW ESR, LOW CL CERAMIC SMD CRYSTAL

ABM8W Series

Request Samples



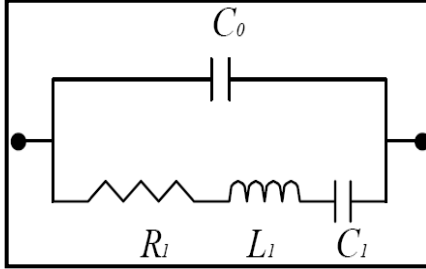
Check Inventory



3.2 x 2.5 x 0.8 mm
RoHS/RoHS II Compliant
MSL Level = N/A

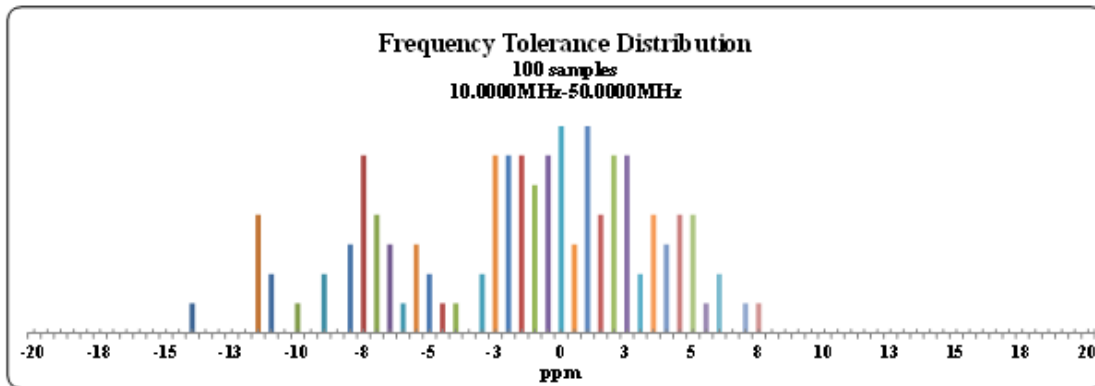


SPICE Models (based on typical values at 25°C ± 3°C):



Frequency: 10.0000MHz Plating Load: 4pF		Frequency: 10.0000MHz Plating Load: 6pF	
C0	= 0.88 pF	C0	= 0.86 pF
R1	= 53.82 Ω	R1	= 60.62 Ω
L1	= 162.02 mH	L1	= 164.96 mH
C1	= 1.56 fF	C1	= 1.54 fF
Frequency: 27.0000MHz Plating Load: 4pF		Frequency: 27.0000MHz Plating Load: 6pF	
C0	= 1.16 pF	C0	= 1.16 pF
R1	= 11.83 Ω	R1	= 11.06 Ω
L1	= 9.16 mH	L1	= 9.10 mH
C1	= 3.80 fF	C1	= 3.82 fF
Frequency: 50.0000MHz Plating Load: 4pF		Frequency: 50.0000MHz Plating Load: 6pF	
C0	= 1.16 pF	C0	= 1.15 pF
R1	= 7.61 Ω	R1	= 8.06 Ω
L1	= 2.45 mH	L1	= 2.49 mH
C1	= 4.14 fF	C1	= 4.07 fF

Typical Frequency Tolerance Distribution (at 25°C ± 3°C):



LOW ESR, LOW CL CERAMIC SMD CRYSTAL

ABM8W Series

Request Samples



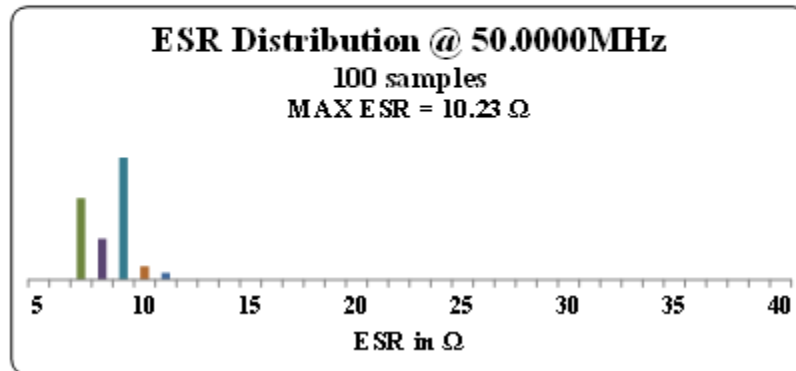
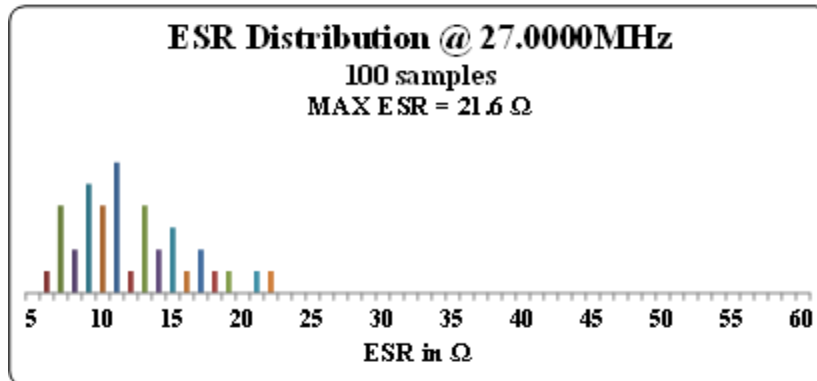
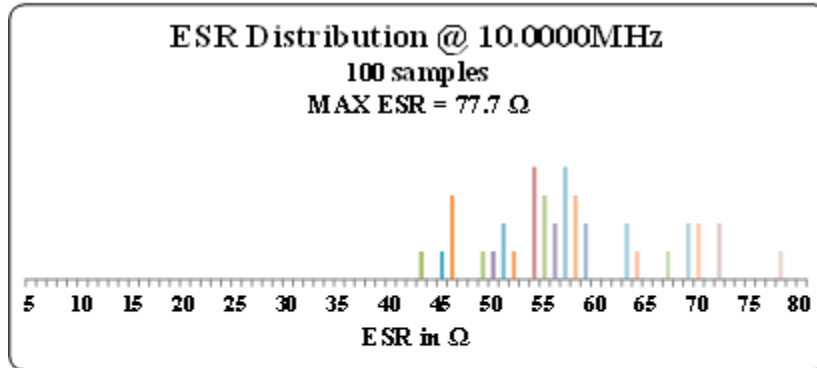
Check Inventory



3.2 x 2.5 x 0.8 mm
RoHS/RoHS II Compliant
MSL Level = N/A



Typical ESR Distribution (at 25°C ± 3°C):



LOW ESR, LOW CL CERAMIC SMD CRYSTAL

ABM8W Series

Request Samples



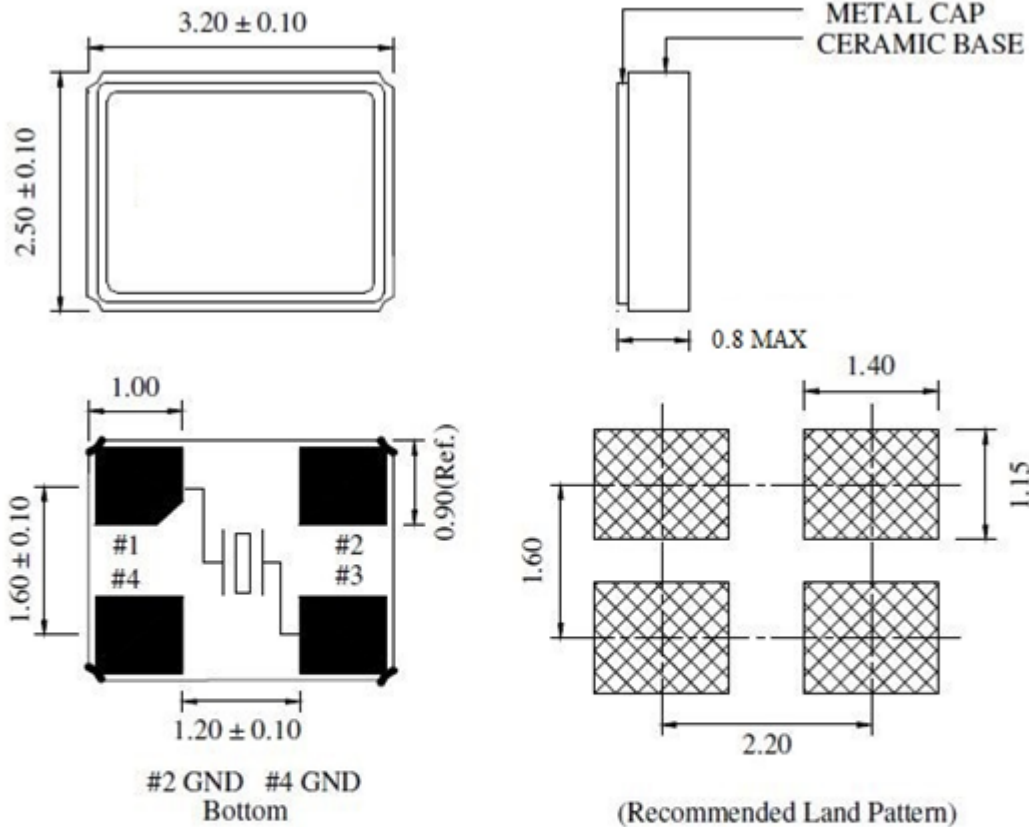
Check Inventory



3.2 x 2.5 x 0.8 mm
RoHS/RoHS II Compliant
MSL Level = N/A



Mechanical Dimensions



Note:

Due to material availability the Chamfer could be located on pin #1, 2 or 4. Be advised that the Chamfer location has no impact on the electrical performance of the device.

Dimensions: mm

LOW ESR, LOW CL CERAMIC SMD CRYSTAL

ABM8W Series

Request Samples



Check Inventory



3.2 x 2.5 x 0.8 mm
RoHS/RoHS II Compliant
MSL Level = N/A



Reflow Profile [JEDEC J-STD-020]

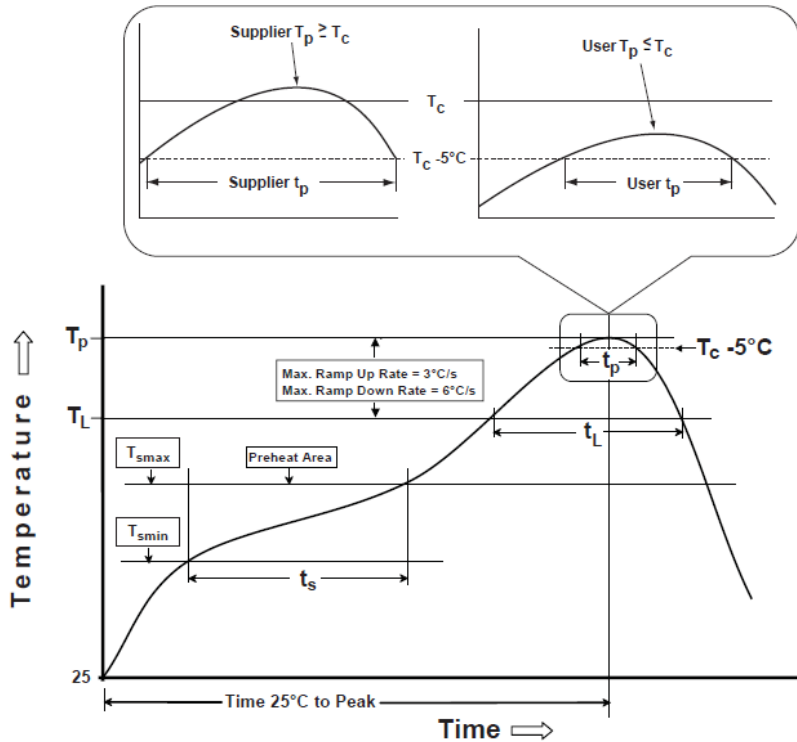


Table 1

SnPb Eutectic Process
Classification Temperatures (T_c)

Package Thickness	Volume mm ³ <350	Volume mm ³ ≥350
<2.5 mm	235 °C	220 °C
≥2.5 mm	220 °C	220 °C

Table 2

Pb-Free Process
Classification Temperatures (T_c)

Package Thickness	Volume mm ³ <350	Volume mm ³ 350-2000	Volume mm ³ >2000
<1.6 mm	260 °C	260 °C	260 °C
1.6 mm - 2.5 mm	260 °C	250 °C	245 °C
>2.5 mm	250 °C	245 °C	245 °C

Profile Feature	Sn-Pb Eutectic Assembly	Pb-Free Assembly
Preheat / soak		
Temperature minimum (T_{smin})	100°C	150°C
Temperature maximum (T_{smax})	150°C	200°C
Time (T_{smin} to T_{smax}) (t_s)	60 - 120 sec.	60 - 120 sec.
Average ramp-up rate (T_{smax} to T_p)	3°C/sec. max	3°C/sec. max
Liquidous temperature (T_L)	183°C	217°C
Time at liquidous (t_L)	60 - 150 sec.	60 - 150 sec.
Peak package body temperature (T_p)*	see Table 1	see Table 2
Time (t_p)** within 5°C of the specified classification temperature (T_c)	20 sec.	30 sec.
Ramp-down rate (T_p to T_{smax})	6°C/sec. max	6°C/sec. max
Time 25°C to peak temperature	6 min. max	8 min. max
Reflow cycles	2 max	2 max

*Tolerance for peak profile temperature (T_p) is defined as a supplier minimum and a user maximum.

**Tolerance for time at peak profile temperature (t_p) is defined as supplier minimum and a user maximum.

LOW ESR, LOW CL CERAMIC SMD CRYSTAL

ABM8W Series

Request Samples



Check Inventory

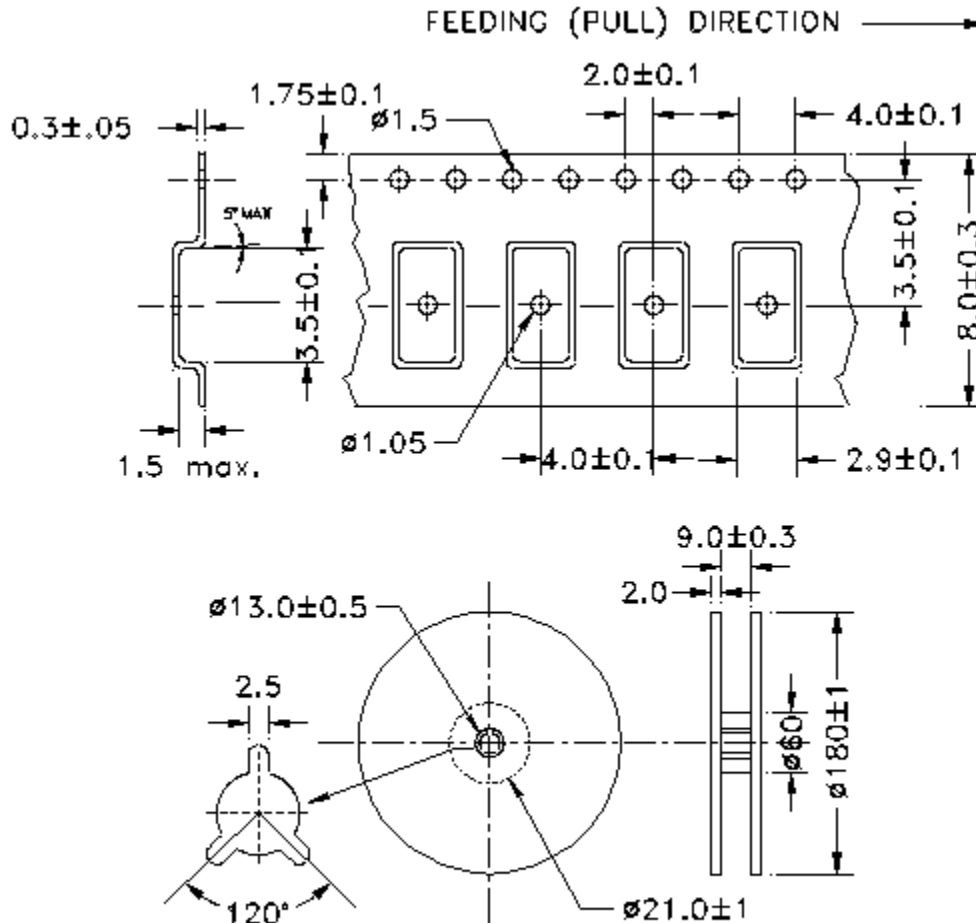


3.2 x 2.5 x 0.8 mm
RoHS/RoHS II Compliant
MSL Level = N/A



Packaging:

T3: Tape and reel (3,000pcs/reel)



Dimensions: mm

ATTENTION: Abracon LLC's products are COTS – Commercial-Off-The-Shelf products; suitable for Commercial, Industrial and, where designated, Automotive Applications. Abracon's products are not specifically designed for Military, Aviation, Aerospace, Life-dependent Medical applications or any application requiring high reliability where component failure could result in loss of life and/or property. For applications requiring high reliability and/or presenting an extreme operating environment, written consent and authorization from Abracon LLC is required. Please contact Abracon LLC for more information.



5101 Hidden Creek Ln Spicewood TX 78669
Phone: 512-371-6159 | Fax: 512-351-8858
For terms and conditions of sales, please visit:
www.abracon.com

REVISED: 07-11-22

ABRACON IS
ISO9001-2015
CERTIFIED