

1

2

3

4

5

6

7

A

A

B

B

C

C

D

D

E

E

F

F

RoHS compliant

Unit: mm



File No.: E349947

| | | | | | | | | |
|-----------|-------|-----|--------------|------------|--------|----------|------------|--------------|
| Scale | 1:1 | | | | | Date | Name | Customer-No. |
| TOLERANCE | | | | | | Drawn | 27.05.2009 | Dean |
| X. | ±0.50 | | | | | Approved | 18.04.2016 | Joanna |
| X.X | ±0.30 | | | | | | | |
| X.XX | ±0.10 | | | | | | | |
| DIM | TOL | ② | Add UL | 18.04.2016 | Joanna | | | |
| X.° | ±1° | ① | Drawn | 27.05.2009 | Dean | | | |
| X.X° | ±X° | | | | | | | |
| Angle | TOL | Id. | Modification | Date | Name | | | |

Customer-No.

ASSMANN WSW-No.

A-TB500-VIxxH

Drawing-No.

ASS 3525 CO

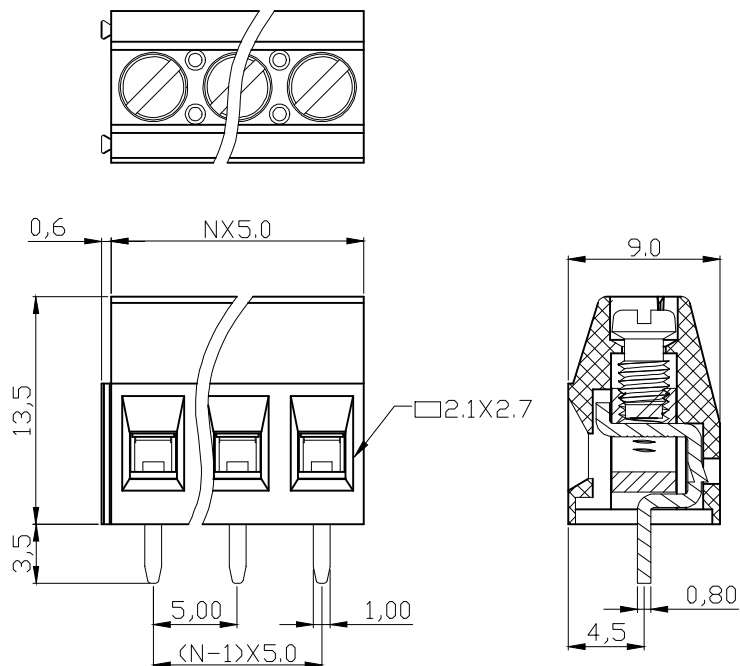
rev02

Replace

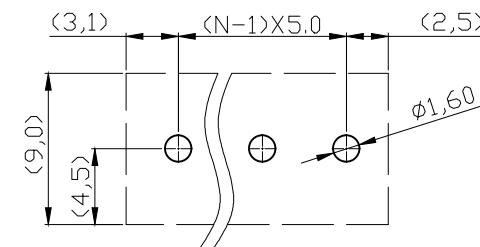
Sheet

Material

- Terminal body
(metal housing): Brass(CuZn)
 - Terminal screw: Steel Zinc plating"-slot type
 - Contacts: Brass
 - Surface of solder tail: Tin plated
 - Insulator (housing): Thermoplastic (UL94V-0),Green
- Electrical cULus/ FIMKO
- Voltage rating: 300VAC/300VAC
 - Current rating: 16A /17.5A
 - Wire range: 0.5-1.5mm
 - Solid wire(AWG): 12-28
 - Stranded wire(AWG): 12-28
 - Torque: 3.5 Lb-In/ 0.4N.m
 - Screw:M3
 - Wire strip length: 6-7mm
 - Withstanding Voltage: 1.6KV / 2.5KV
 - Operating temperature: -30°C to +105°C
 - Soldering temperature: 250°C±10°C/5 Sec
 - Safety Approval: cULus



N=Number of contacts



P.C.B LAYOUT

1

2

3

4

5

6

7

SV1501