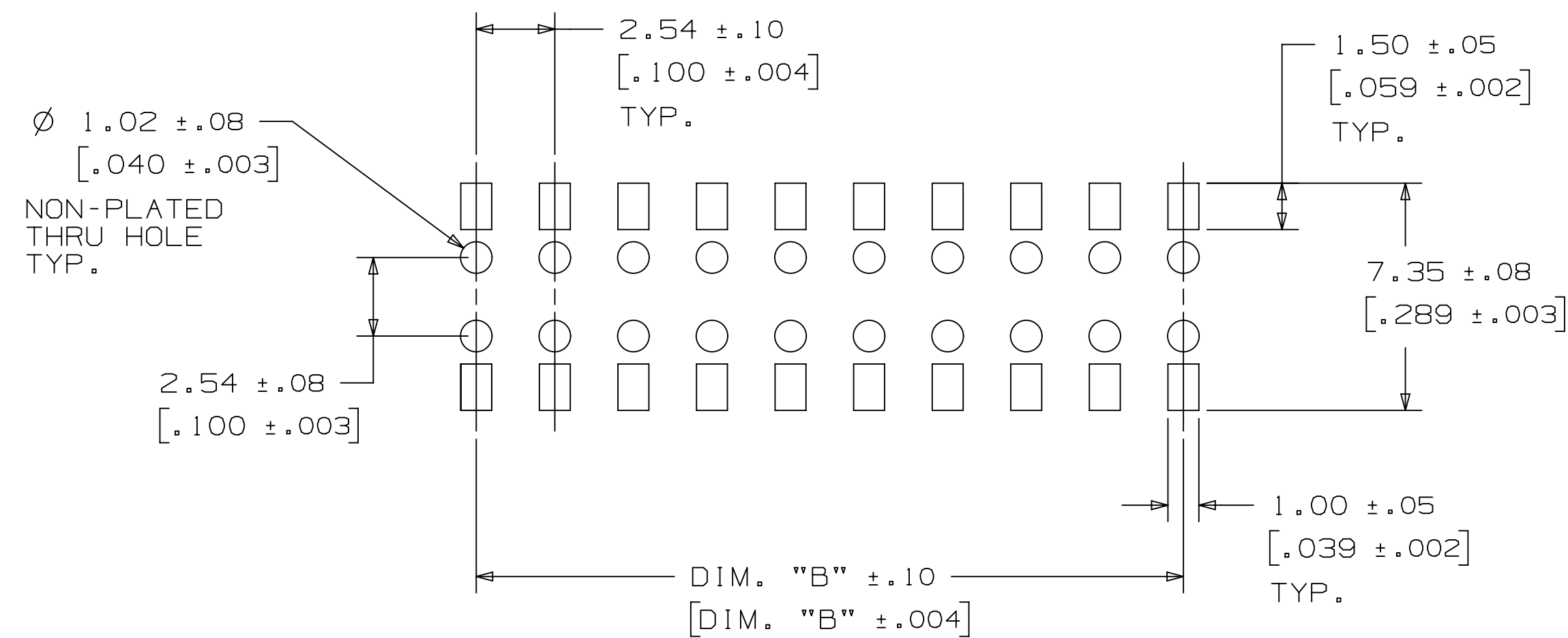
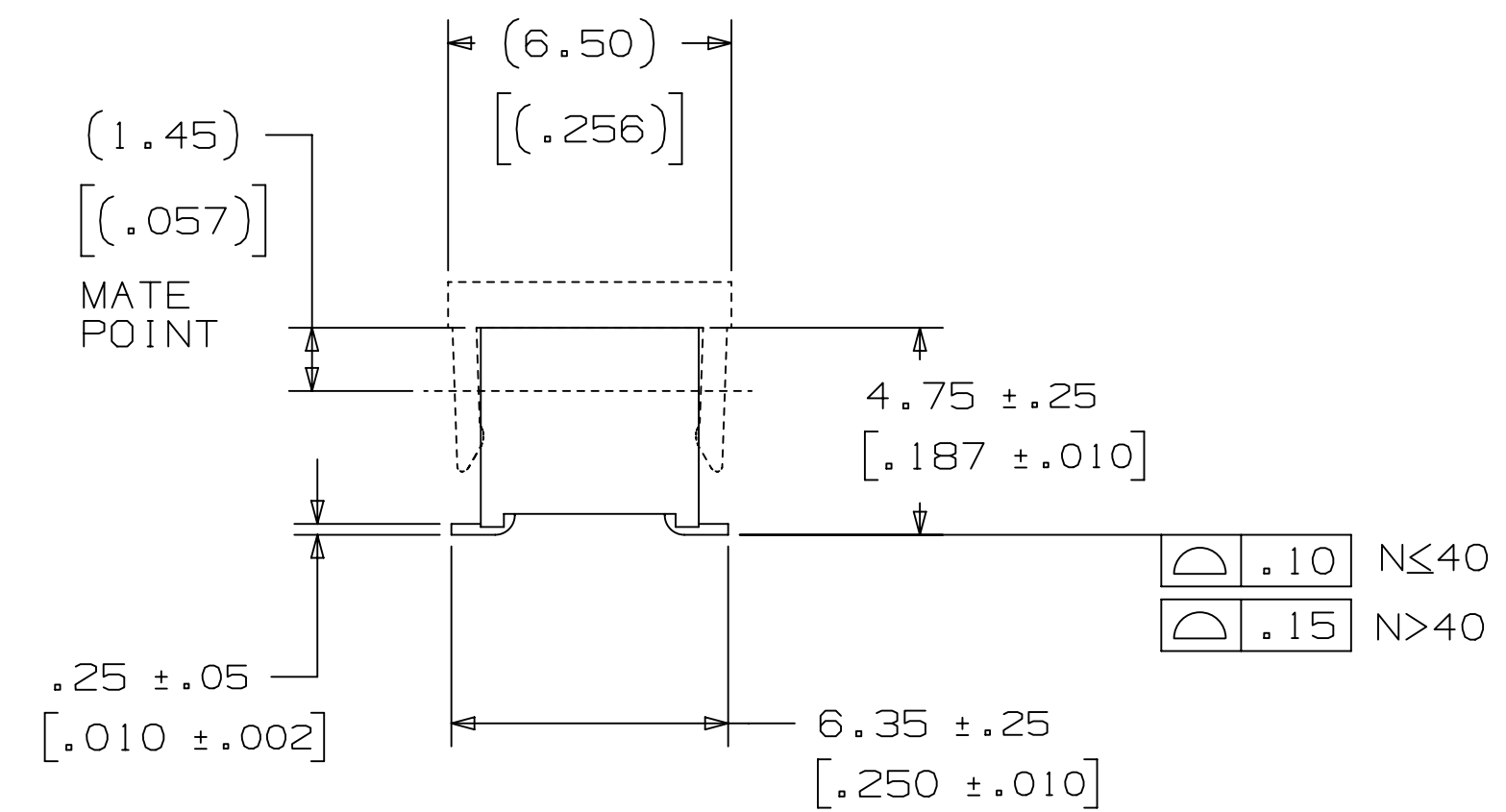
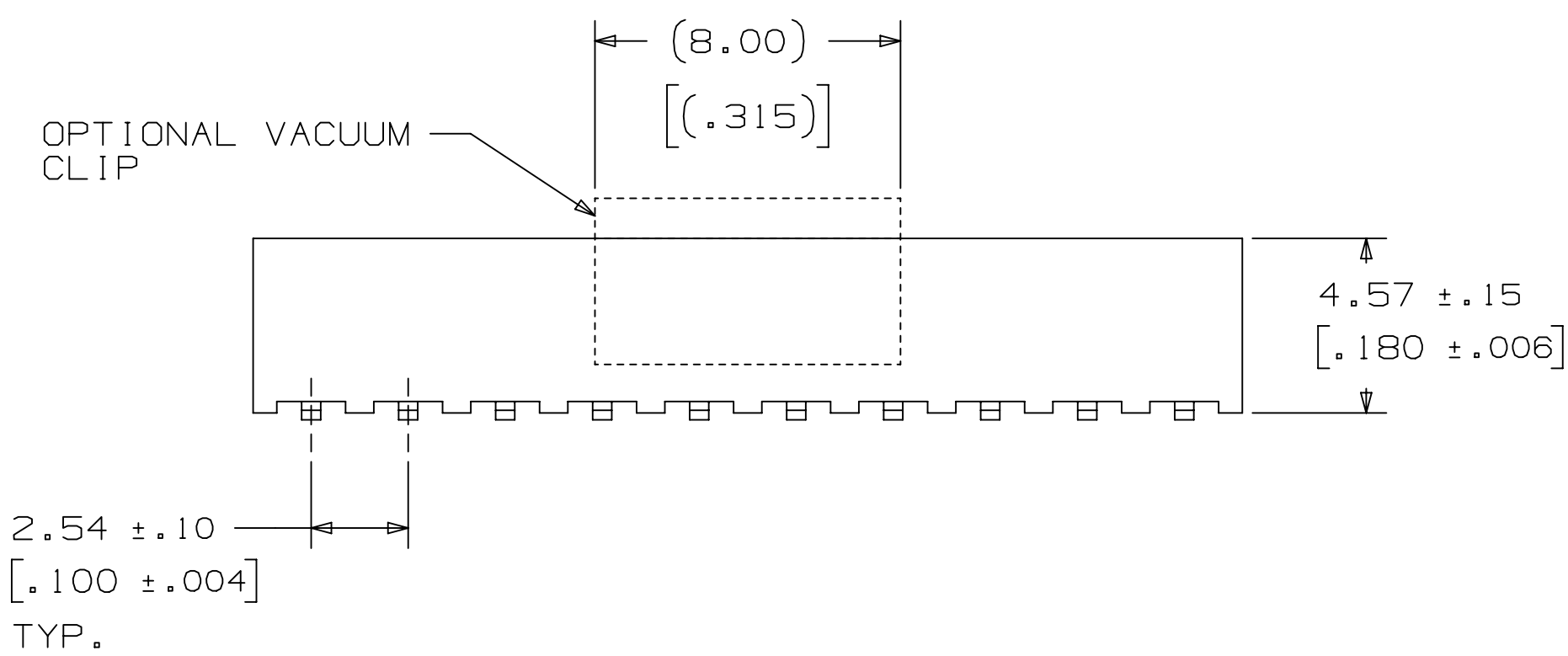
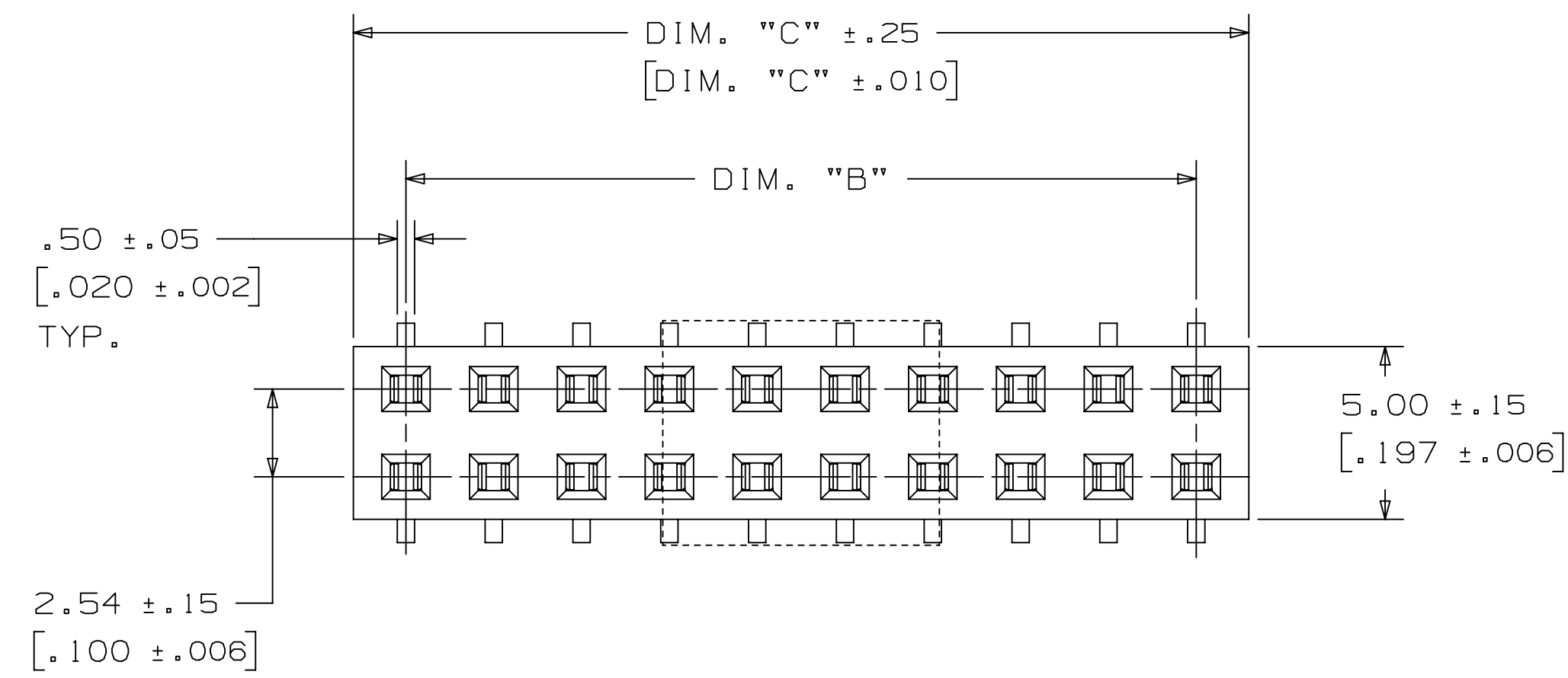


3M™ THROUGH-BOARD SOCKET, 9662 SERIES
2.54MM X 2.54MM, LOW PROFILE SURFACE MOUNT



RECOMMENDED PC BOARD LAYOUT
(VIEWED FROM COMPONENT SIDE)

ORDERING INFORMATION
9662XX-2000-AR-XX

CONTACT QUANTITY:
06-50
(SEE NOTE 5)

PACKAGING:
TP = TUBE WITHOUT CLIP (06 TO 50 POS)
PT = TUBE WITH CLIP (10 TO 50 POS)
PR = TAPE AND REEL WITH CLIP (10 TO 50 POS)
(SEE TABLE 2)

PLATING:
AR = 1.27µM [50µIN] MIN. NICKEL ALL OVER
WIPING AREA: GOLD FLASH
SOLDER TAIL AREA: 1-3µM [40-118µIN] MIN. MATTE TIN

DIM. "A"	2.54 [.100] X (N/2)
DIM. "B"	2.54 [.100] X (N/2-1)
DIM. "C"	2.54 [.100] X (N/2) +.50
SEE NOTE 4	

CONTACT QTY.	06-10	12-16	18-24	26-34	36-44	46-50
TAPE WIDTH [MM]	24	32	44	56	72	88

DESIGN REFERENCE	NEXT ASSEMBLY	REV	ECO	ISSUE DATE AND DESCRIPTION	DRFT	CHKD
104062		B		APR 21, 2022 REVISE ORDERING INFO	JNC	FJR
		A		MAR 06, 2017 REVISE ELECTRIC, MECHANICAL & ENVIRONMENTAL NOTES 2-2-17 REMOVED 4 CONNECTOR PRODUCTION RELEASE	JNC	TS
DRG CODES		DRFT	CASTIGLIONE	DATE JAN 12, 2015	MFG	DATE
		CHKD		DATE	APPV	DATE
					T. SUNIGA	JAN 12, 2015
DIVISION	EMSD					
DO NOT SCALE DRAWING	SCALE 6/1	TOLERANCES EXCEPT AS NOTED INCHES .00 ± .000 ± .0000 ± MILLIMETERS 0 ±.2 .00 ±0.20 .000 ±.005 ANGLES ±				
THIRD ANGLE PROJECTION		INTERPRET PER ASME Y14.5 - 2018 MAX. SURFACE ROUGHNESS ALL SURFACES <input checked="" type="checkbox"/> MARKED ONLY				
TITLE		THRU-BOARD SKT, 2.54MM X 2.54MM, SURFACE MOUNT				
CAGE NUMBER		DRAWING NO. 78-5100-2652-5				
MODEL		REV. B				
9662		DET. <input type="checkbox"/> YES <input checked="" type="checkbox"/> NO SHT 2 OF 3				

3M ELECTRONICS MATERIALS SOLUTIONS DIVISION
INTERCONNECT SOLUTIONS
<http://www.3M.com/interconnect>

3M IS A TRADEMARK OF 3M COMPANY.
FOR TECHNICAL, SALES OR ORDERING
INFORMATION CALL 800-225-5373

78-5100-2652-5
DRAWING NUMBER

3M™ THROUGH-BOARD SOCKET, 9662 SERIES
2.54MM X 2.54MM, LOW PROFILE SURFACE MOUNT

Regulatory: For regulatory information about this product, visit 3M.com/regs or contact your 3M representative.

Technical Information: The technical information, recommendations and other statements contained in this document are based upon tests or experience that 3M believes are reliable, but the accuracy or completeness of such information is not guaranteed.

Product Use: Many factors beyond 3M's control and uniquely within user's control can affect the use and performance of a 3M product in a particular application. Given the variety of factors that can affect the use and performance of a 3M product, user is solely responsible for evaluating the 3M product and determining whether it is fit for a particular purpose and suitable for user's method of application.


Warranty, Limited Remedy, and Disclaimer: Unless an additional warranty is specifically stated on the applicable 3M product packaging or product literature, 3M warrants that each 3M product meets the applicable 3M product specification at the time 3M ships the product. 3M MAKES NO OTHER WARRANTIES OR CONDITIONS, EXPRESS OR IMPLIED, INCLUDING, BUT NOT LIMITED TO, ANY IMPLIED WARRANTY OR CONDITION OF MERCHANTABILITY OR FITNESS FOR A PARTICULAR PURPOSE OR ANY IMPLIED WARRANTY OR CONDITION ARISING OUT OF A COURSE OF DEALING, CUSTOM OR USAGE OR TRADE. If the 3M product does not conform to this warranty, then the sole and exclusive remedy is, at 3M's option, replacement of the 3M product or refund of the purchase price.

Limitation of Liability: Except where prohibited by law, 3M will not be liable for any loss or damage arising from the 3M product, whether direct, indirect, special, incidental or consequential, regardless of the legal theory asserted, including warranty, contract, negligence or strict liability.

3M Company
Electronics Materials Solutions Division
13011 McCallen Pass, Bldg. C
Austin, TX 78753-5380
1-800-225-5373
www.3M.com/interconnect

3M ELECTRONICS MATERIALS SOLUTIONS DIVISION
INTERCONNECT SOLUTIONS
<http://www.3M.com/interconnect>

3M IS A TRADEMARK OF 3M COMPANY.
FOR TECHNICAL, SALES OR ORDERING
INFORMATION CALL 800-225-5373

DESIGN REFERENCE	NEXT ASSEMBLY	REV	ECO	ISSUE DATE AND DESCRIPTION	DRFT	CHKD
DRG CODES		DRFT	CASTIGLIONE	DATE	JAN 12, 2015	MFG
		CHKD		DATE	JAN 12, 2015	APPRV
						T. SUNIGA
DIVISION	DIVISION CODE	 © 3M COPYRIGHT 2022 This document and the information it contains are 3M property and may not be reproduced or further distributed without 3M permission, or used or disclosed other than for 3M authorized purposes. All rights reserved.				
DO NOT SCALE DRAWING	SCALE 2/1	TOLERANCES EXCEPT AS NOTED	INCHES .00 ± .000 ± .0000 ±			
THIRD ANGLE PROJECTION	INTERPRET PER ASME Y14.5 - 2018	MILLIMETERS	0 ± 2 .0 ± 0.5 .00 ± 0.20 .000 ± .005			
MAX SURFACE ROUGHNESS	ALL SURFACES	ANGLES	CAGE NUMBER D 78-5100-2652-5 MODEL 9662 DET. <input type="checkbox"/> YES <input checked="" type="checkbox"/> NO SHT 3 OF 3			
<input checked="" type="checkbox"/> MARKED ONLY						

78-5100-2652-5
DRAWING NUMBER