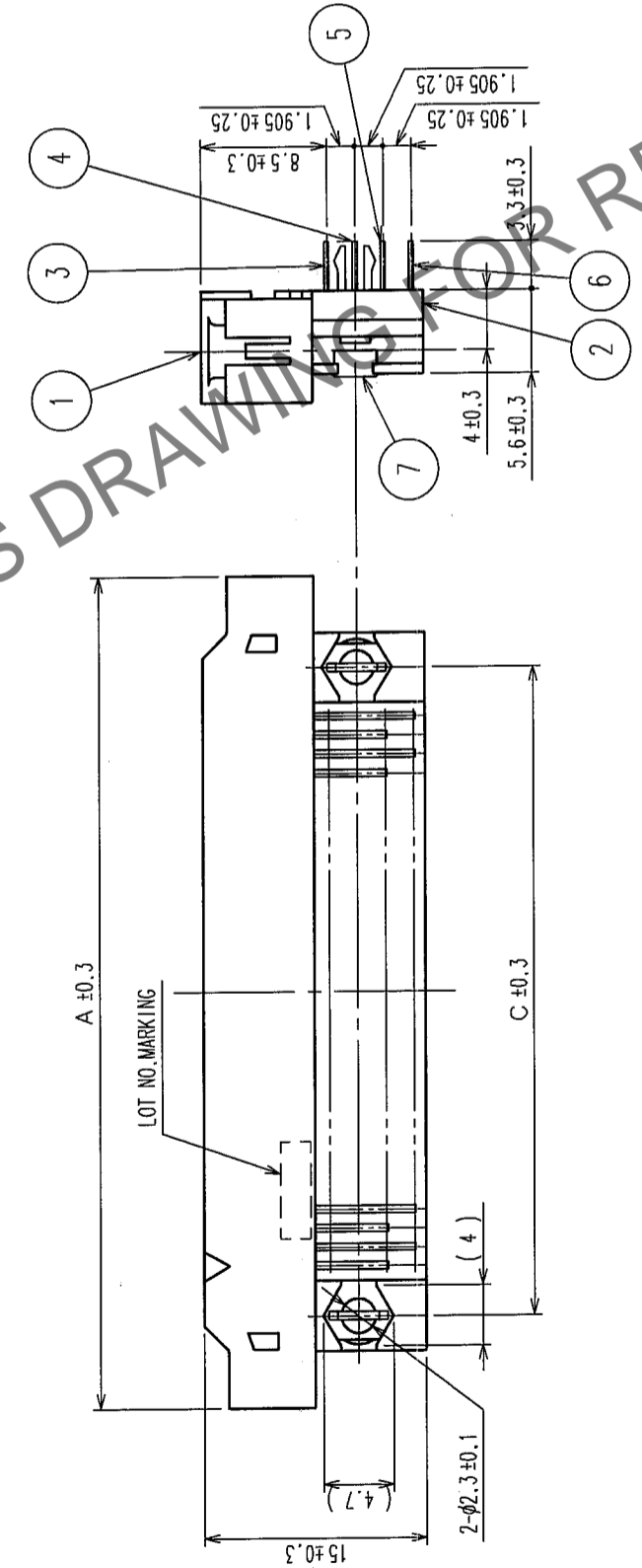
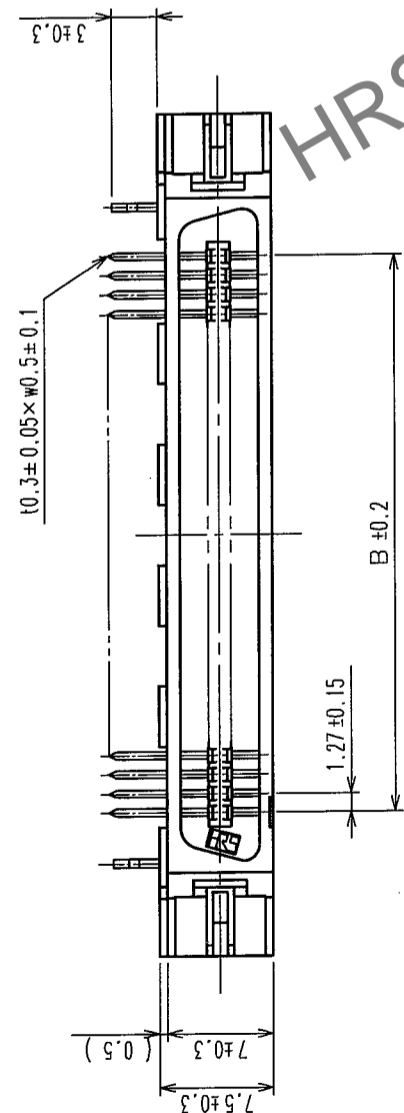
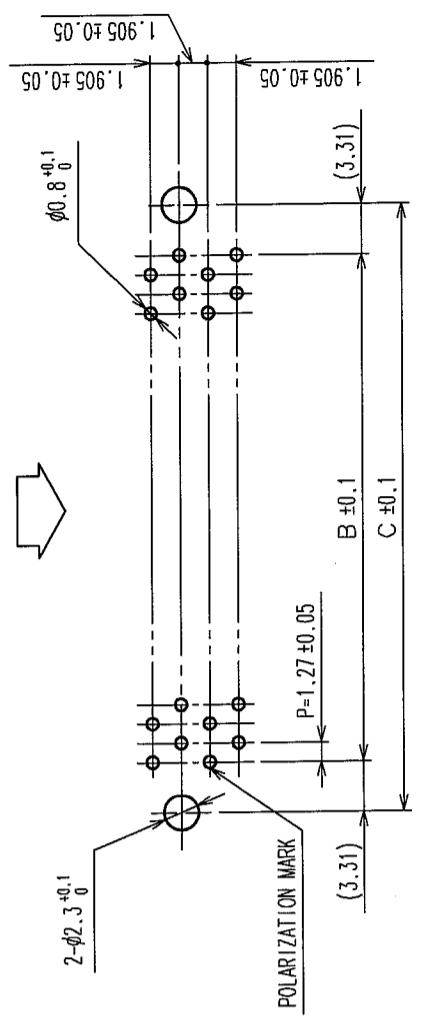


COUNT	DESCRIPTION OF REVISIONS	BY	CHKD	DATE	COUNT	DESCRIPTION OF REVISIONS	BY	CHKD	DATE
△					△				
△					△				
△					△				



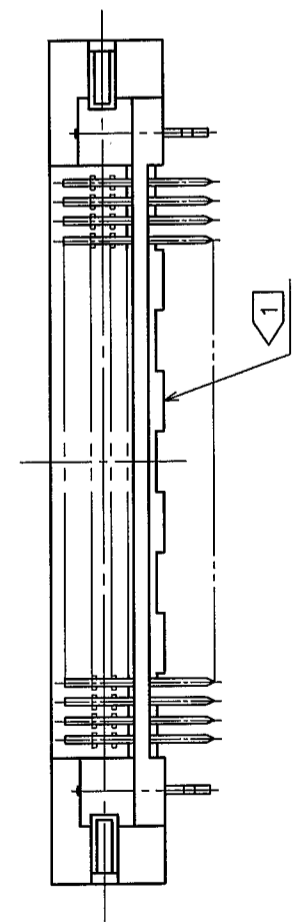
RECOMMEND PC BOARD HOLE PATTERN ( MOUNTING SIDE )

MATING SIDE

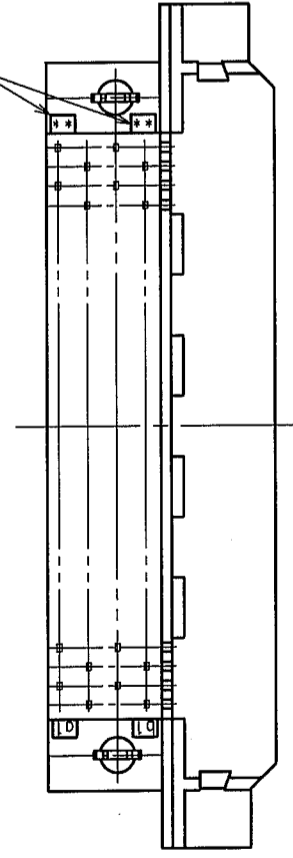


PART No.	CODE No.	A	B	C	D
FX2B-20P-1.27DSL(71)	CL572-0751-8-71	20	30.33	11.43	18.05
FX2B-32P-1.27DSL(71)	CL572-0752-0-71	32	37.95	19.05	25.67
FX2B-40P-1.27DSL(71)	CL572-0753-3-71	40	43.03	24.13	30.75
FX2B-52P-1.27DSL(71)	CL572-0754-6-71	52	50.65	31.75	38.37
FX2B-60P-1.27DSL(71)	CL572-0755-9-71	60	55.73	36.83	43.45
FX2B-68P-1.27DSL(71)	CL572-0756-1-71	68	60.81	41.91	48.53
FX2B-80P-1.27DSL(71)	CL572-0757-4-71	80	68.43	49.53	56.15
FX2B-100P-1.27DSL(71)	CL572-0758-7-71	100	81.13	62.23	68.85

NOTES  
 1. STANDOFF DIFFERS ACCORDING TO PRODUCTS.  
 2. THE DIMENSIONS IN PARENTHESES ARE FOR REFERENCE.  
 3. NUMBER OF PIN.



D (INDICATIONS)



7	PHOSPHOR BRONZE	TIN-PLATING	3~6	PHOSPHOR BRONZE	FINISH, REMARKS
1, 2	POLYAMIDE	BLACK	UL94V-0		
NO.	MATERIAL	FINISH, REMARKS	NO.	MATERIAL	FINISH, REMARKS
CODE NO. (OLD) CL					
DRAWN I. OKAYAMA			DESIGNED K. NAKAMURA		
DATE 04.06.02			CHECKED H. OKAWA		
SCALE FREE			APPROVED H. OKAWA		
UNITS mm			RELEASED		
DRAWING NO. EDC3-082284-21			PART NO. FX2B-***P-1.27DSL(71)		
SCALE FREE			CODE NO. CL572		
UNITS mm			FORM NO. 233		

TO  
PCK