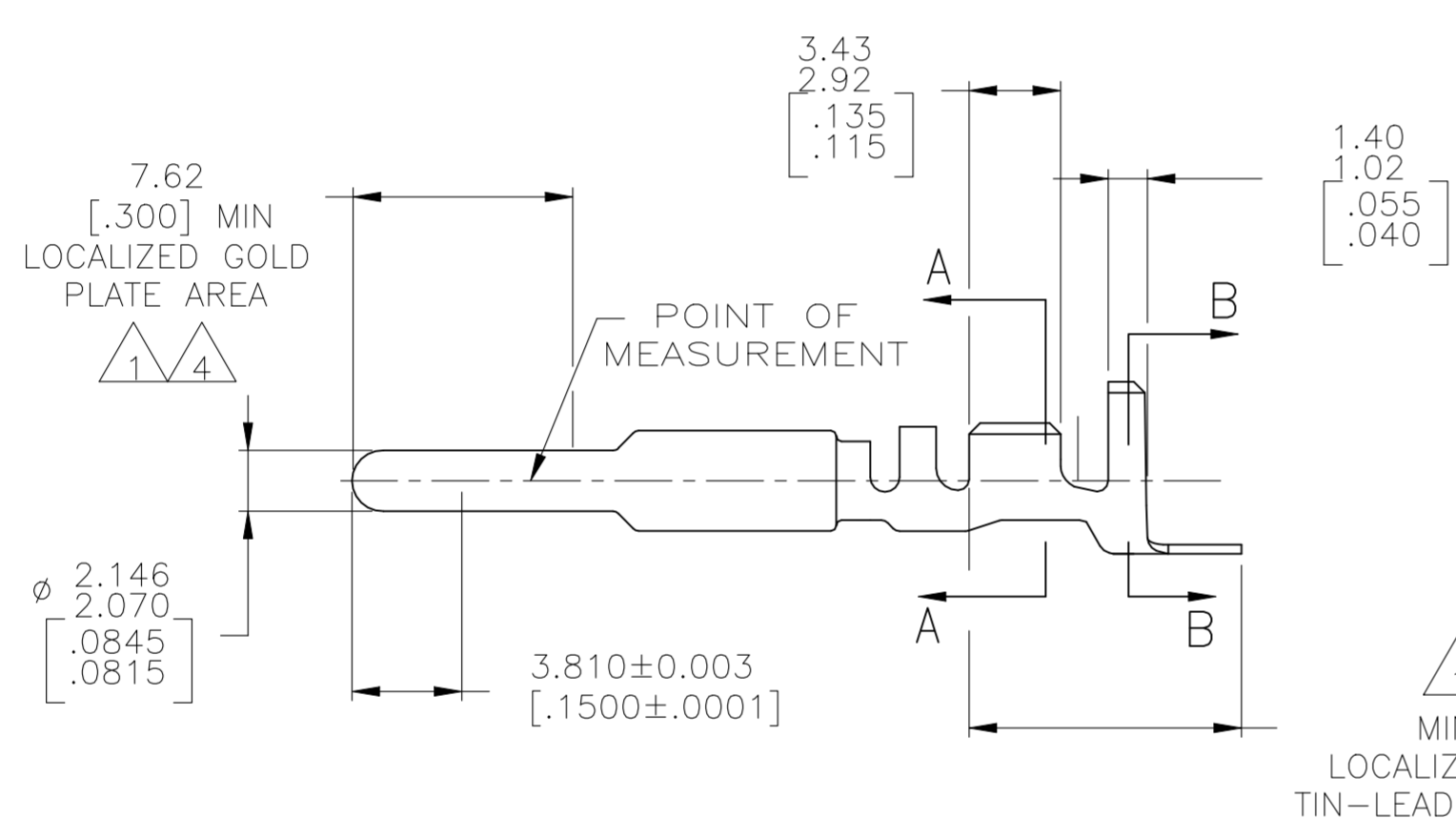
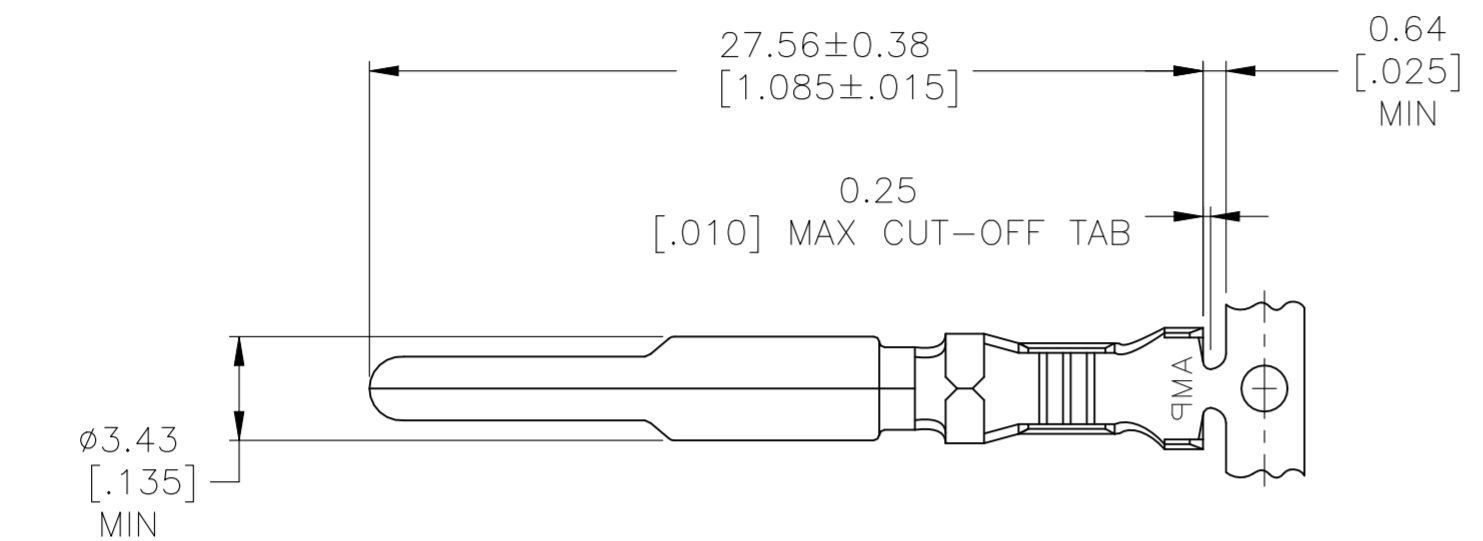
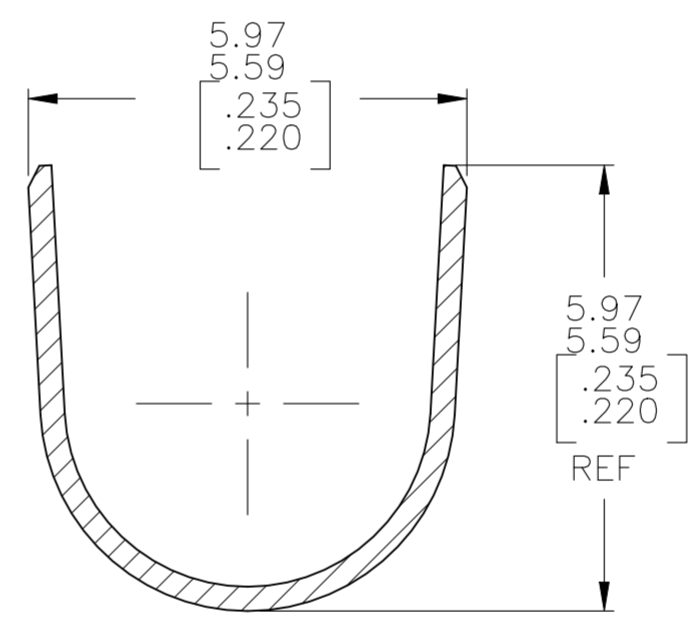


REVISIONS					
P	LTR	DESCRIPTION	DATE	DWN	APVD
K1		REVISED PER ECR-23-184869	23AUG2023	RS	BR

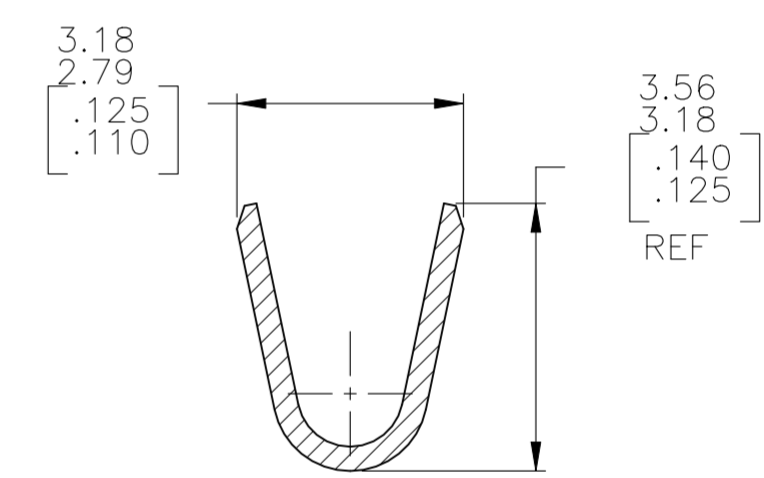


MINIMUM LOCALIZED TIN OR TIN-LEAD PLATE AREA

- 0.00076[.000030] MIN GOLD AT POINT OF MEASUREMENT IN THE LOCALIZED GOLD PLATE AREA, 0.00127[.000050] MIN TIN-LEAD IN THE TIN-LEAD PLATE AREA, 0.00127[.000050] MIN NICKEL UNDERPLATE ON ENTIRE CONTACT.
- 2 WIRE RANGE: 0.5–2mm² [20–14] AWG. INSULATION RANGE: 3.30–5.08[.130–.200] DIA.
- 3 DIMENSIONS IN BRACKETS ARE IN INCHES.
- 0.00076[.000030] MIN GOLD AT POINT OF MEASUREMENT IN THE LOCALIZED GOLD PLATE AREA, 0.00127[.000050] MIN TIN IN TIN PLATE AREA, 0.00127[.000050] MIN NICKEL UNDERPLATE ON ENTIRE CONTACT.
- SUPERSEDED BY 1-770194-0



SECTION B-B
SCALE 10:1



SECTION A-A
SCALE 10:1

	OBSOLETE	GOLD	0.30 [.012]	BRASS	1-770194-0
		GOLD	0.30 [.012]	BRASS	770194-2
		PRE-TIN	0.30 [.012]	BRASS	770194-1
		FINISH		MATERIAL	PART NO

THIS DRAWING IS A CONTROLLED DOCUMENT.		DWN K. SALMON 22DEC92	TE Connectivity		
DIMENSIONS: mm [INCHES]		CHK R. SWING 22DEC92			
TOLERANCES UNLESS OTHERWISE SPECIFIED:		APVD M. TRULL 01APR93	NAME PIN, GROUNDING, UNIVERSAL MATE-N-LOK(TM) II		
0 PLC ± -		PRODUCT SPEC	SIZE	CAGE CODE	DRAWING NO
1 PLC ± -		APPLICATION SPEC	WEIGHT	000779	770194
2 PLC ± -			CUSTOMER DRAWING	SCALE	4:1
3 PLC ± -				SHEET	1 OF 1
4 PLC ± -				REV	K1
ANGLES ± -					
MATERIAL SEE TABLE	FINISH SEE TABLE				