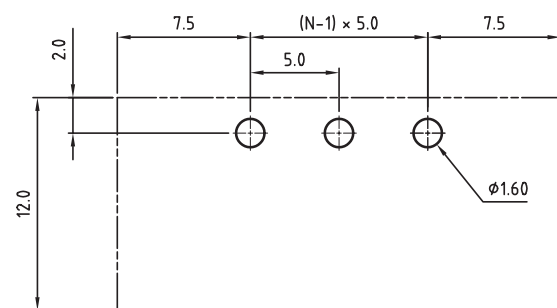
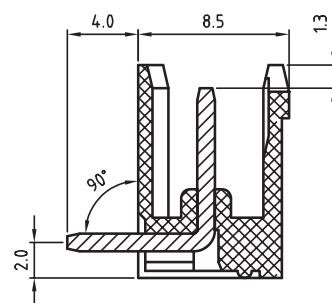


N = Number of contacts



PCB LAYOUT - COMPONENT VIEW

TECHNICAL CHARACTERISTICS

MATERIAL  
 INSULATOR: PA66  
 FLAMABILITY RATING: UL94-V0  
 COLOR: GREEN  
 CONTACT: BRASS  
 SOLDER TAIL PLATING: TIN  
 FLANGES SCREW NUT: BRASS M2.5

ENVIRONMENTAL  
 OPERATING TEMPERATURE: -40 UP TO 105°C  
 COMPLIANCE: LEAD FREE AND ROHS

|                       |             |        |
|-----------------------|-------------|--------|
| ELECTRICAL            | cULus       | VDE    |
| CURRENT RATING:       | 20A         | 20A    |
| WORKING VOLTAGE:      | 300VAC      | 300VAC |
| WITHSTANDING VOLTAGE: | 1.6KV       | 2.5KV  |
| CONTACT RESISTANCE: □ | 20 mOhm max |        |

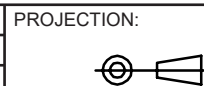
STANDARD  
 CERTIFIED E315414  
 CERTIFIED 40023195

MECHANICAL  
 PITCH: 5.00MM

SOLDERING: WAVE PROCESS ONLY

PACKAGING: BOX

|                |           |             |    |
|----------------|-----------|-------------|----|
| RoHS Compliant |           |             |    |
| G              |           |             |    |
| F              |           |             |    |
| E              |           |             |    |
| D              |           |             |    |
| C              | 25-FEV-22 | PBT -> PA66 | AK |
| B              | 13-OCT-09 | STANDARD    | JP |
| A              | 04-NOV-08 | PDF         | JP |
| REV            | DATE      | FILE        | BY |



GENERAL TOLERANCE  
 .X = +/- 0.2  
 .XX = +/- 0.15



APPROVAL: JHe

UNIT: MM  
 SCALE:  
 SHEET: 1/1  
 DRAW: MARVIN

DESCRIPTION: SERIE 3177 - 5.00MM CLOSE HORIZONTAL PCB HEADER WITH FLANGES WR-TBL  
 WERI PART NO: 691 317 710 0xx

SIZE  
**A4**