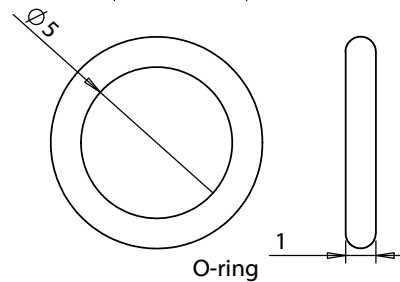
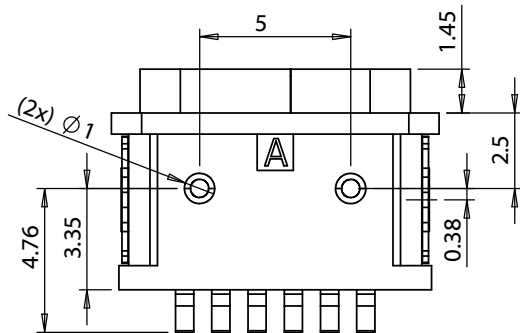
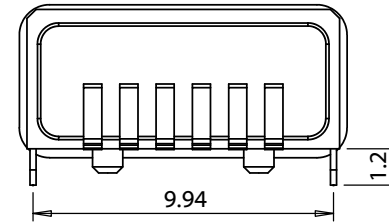
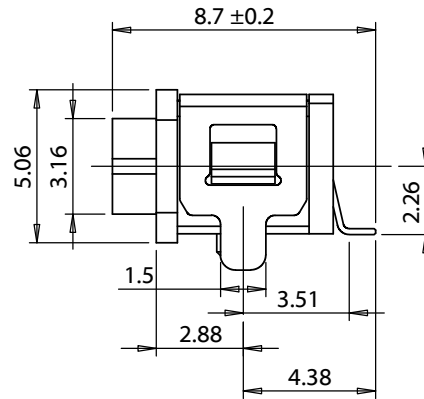
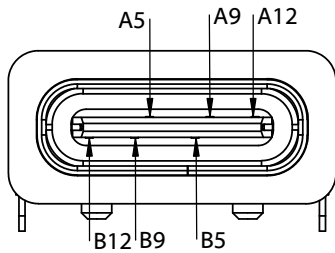
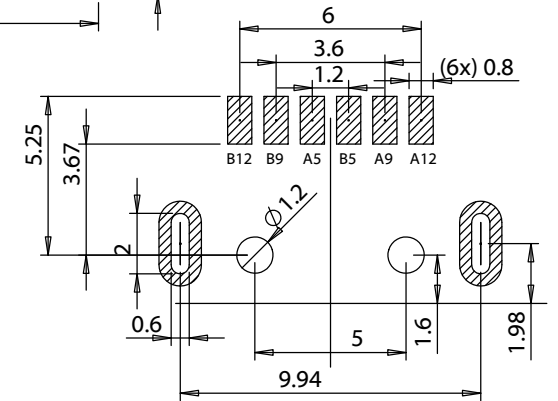


Signal Name	
A5	CC1
A9	VBUS
A12	GND
B5	CC2
B9	VBUS
B12	GND



Recommended compression 40 - 50%



Revision:	Date:	Description:	Prepared:	Notes:	<h1>TENSILITY</h1> <p>tel 1.541.323.3228 800 877.670.7118 fax 1.541.323.4202 web tensility.com</p>
A	6/11/2021	Initial release	Verified:	RoHS compliant Function test: no open, no short circuit, no intermittent	
			Dimensions are in millimeters. Tolerances: X: ± 0.1 mm X.X: ± 0.1 mm X.XX: ± 0.1 mm	Description: Connector, USB type C power jack, SMT, through hole, 90°, nickel shell, IPX7 waterproof, reel	Size: A Part number: 54-00285
					Scale: 4:1 Sheet 1 of 2

