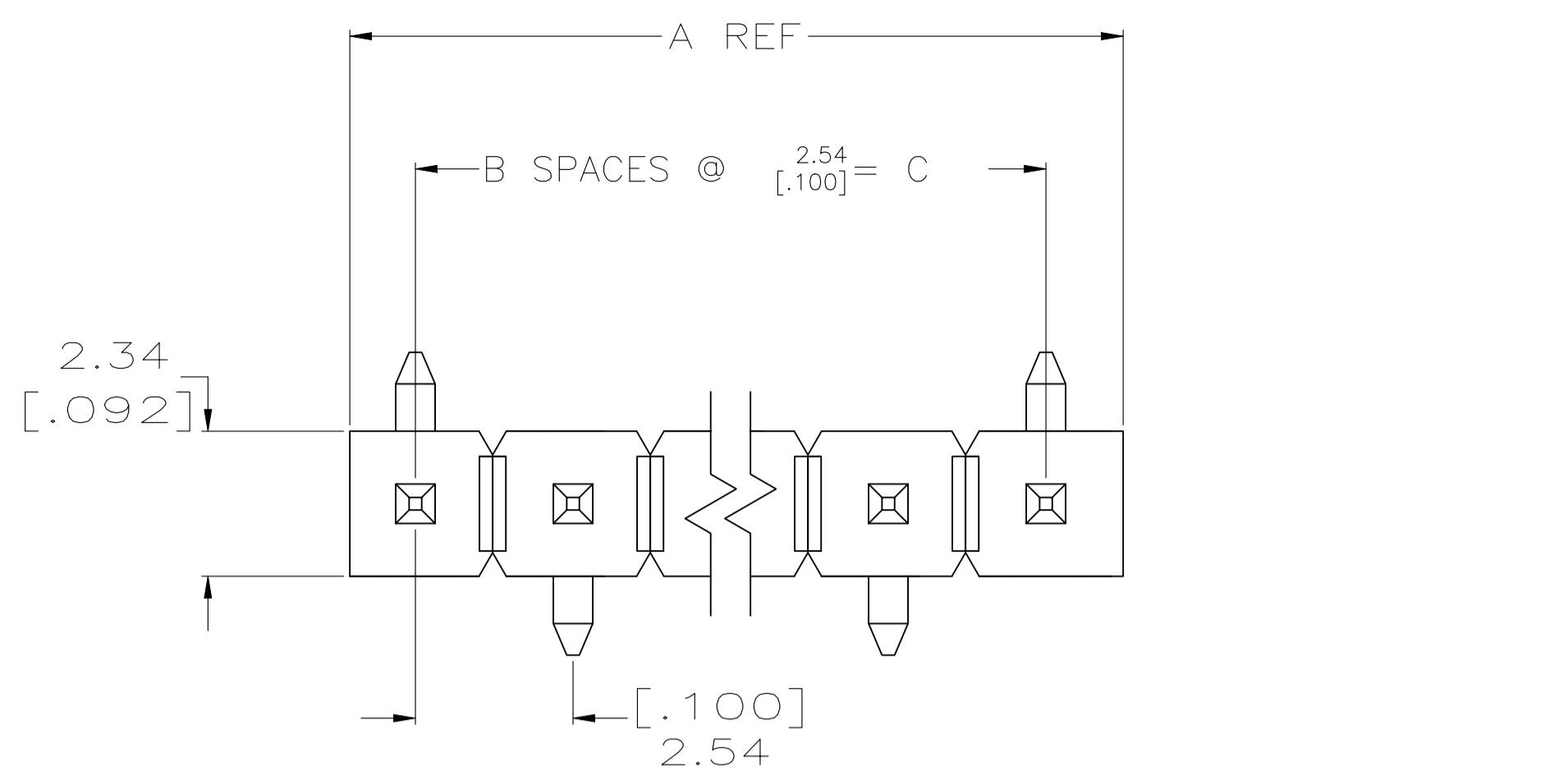
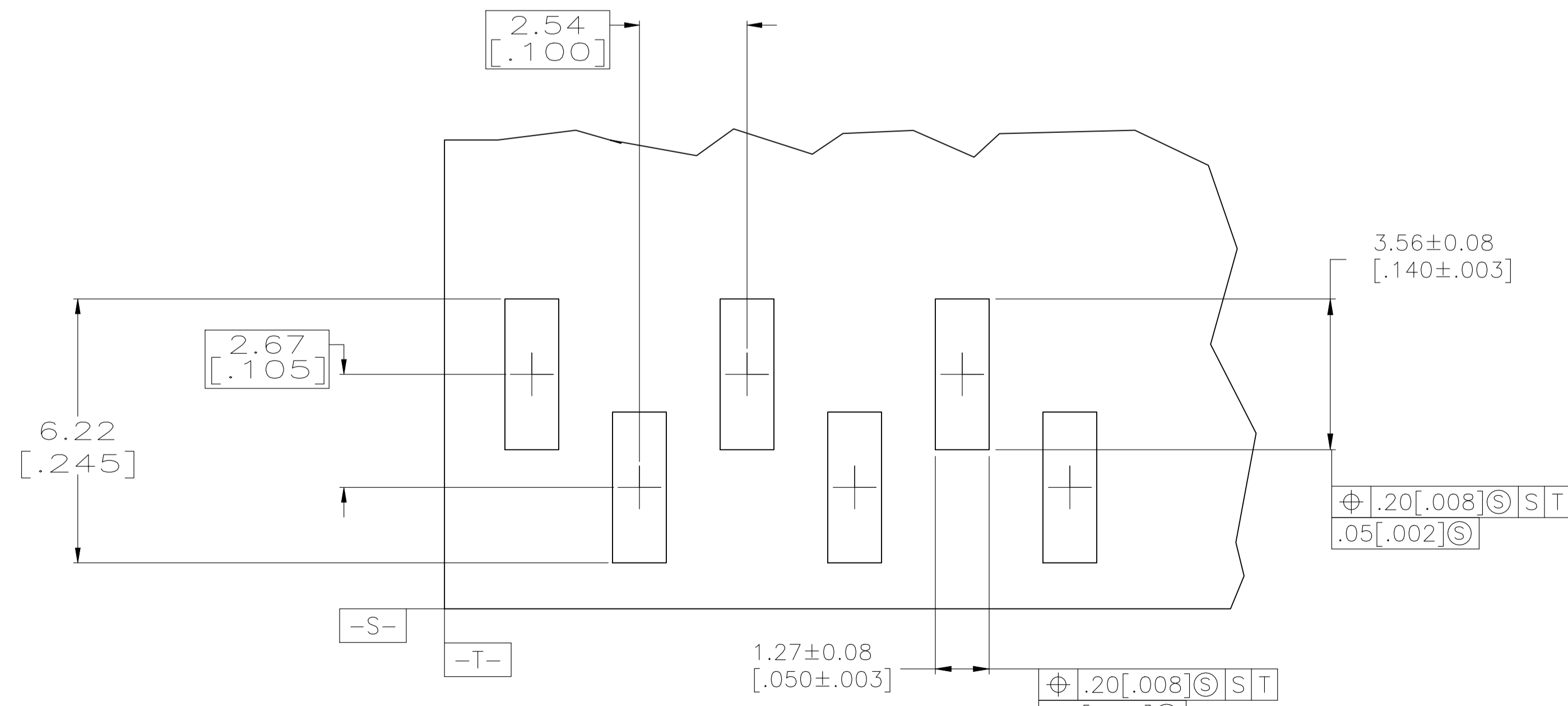
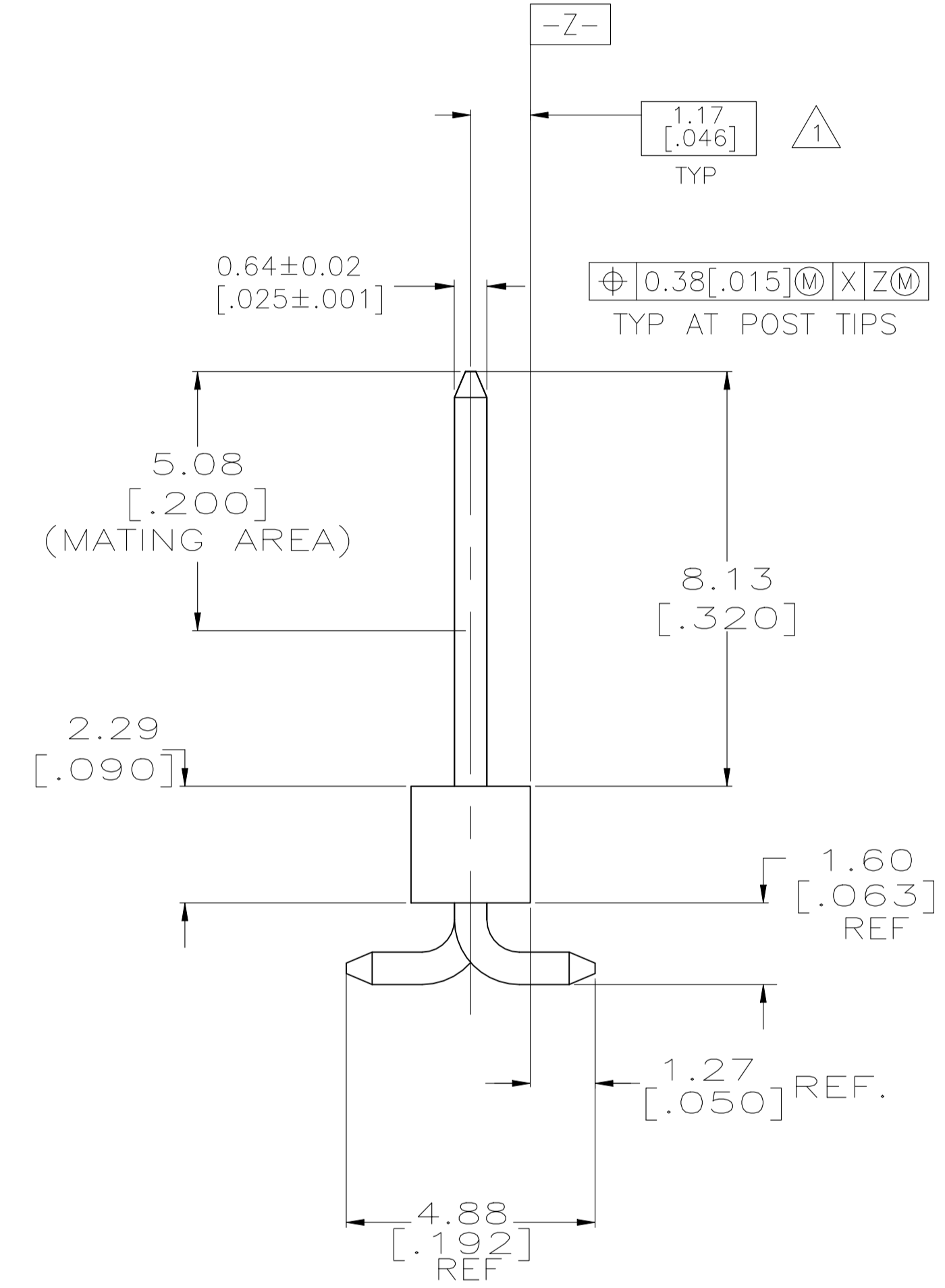
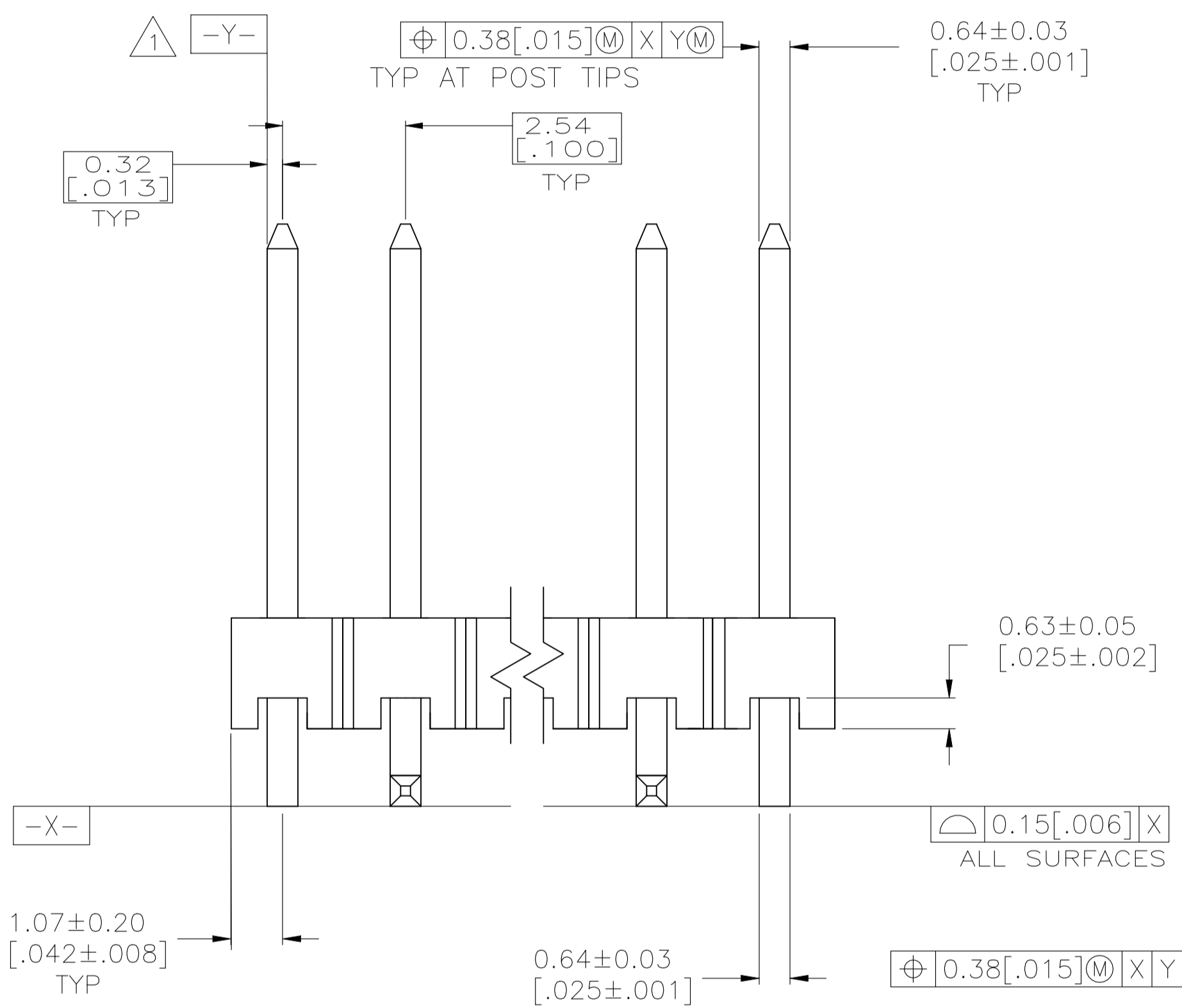


REVISIONS				
REV	DATE	BY	CHK	APPV
L4	REVISED PER ECN-22-164228		RK	MF



- 1 THE NOTED DIMENSIONS APPLY AT THE INTERSECTION OF THE POST AND THE HOUSING.
- 2 0.00254[.000100]-0.00508[.000200] MATTE TIN-LEAD OVER
0.00127[.000050] NICKEL ENTIRE POST.
- 3 HOUSING: LCP, COLOR-BLACK.
POSTS: PHOSPHOR BRONZE.
- 4 0.00254[.000100]-0.00508[.000200] MATTE TIN OVER
0.00127[.000050] NICKEL ENTIRE POST.
- 5 PRELIMINARY PART - NOT RELEASED FOR PRODUCTION.
- 6 OBSOLETE PARTS: OBSOLETE CIS STREAMLINING PER D.RENAUD/D.SINISI



RECOMMENDED PCB LAYOUT FOR USE WITH .008 THICK STENCIL

REV	DATE	BY	CHK	APPV	PART NUMBER
4	35.56 [1.400]	14	35.69 [1.484]	15	6-146133-3
4	33.02 [1.300]	13	33.15 [1.384]	14	6-146133-2
4	30.48 [1.200]	12	30.61 [1.284]	13	6-146133-1
4	27.94 [1.100]	11	28.07 [1.184]	12	6-146133-0
4	25.40 [1.000]	10	27.53 [1.084]	11	5-146133-9
4	22.86 [.900]	9	24.99 [.984]	10	5-146133-8
4	20.32 [.800]	8	22.45 [.884]	9	5-146133-7
4	17.78 [.700]	7	19.91 [.784]	8	5-146133-6
4	15.24 [.600]	6	17.37 [.684]	7	5-146133-5
4	12.70 [.500]	5	14.83 [.584]	6	5-146133-4
4	10.16 [.400]	4	12.29 [.484]	5	5-146133-3
4	7.62 [.300]	3	9.75 [.384]	4	5-146133-2
4	5.08 [.200]	2	7.21 [.284]	3	5-146133-1
4	17.78 [.700]	7	19.91 [.784]	8	1-146133-5
2	35.56 [1.400]	14	35.69 [1.484]	15	1-146133-3
2	33.02 [1.300]	13	33.15 [1.384]	14	1-146133-2
2	30.48 [1.200]	12	30.61 [1.284]	13	1-146133-1
2	27.94 [1.100]	11	28.07 [1.184]	12	1-146133-0
2	25.40 [1.000]	10	27.53 [1.084]	11	146133-9
2	22.86 [.900]	9	24.99 [.984]	10	146133-8
2	20.32 [.800]	8	22.45 [.884]	9	146133-7
2	17.78 [.700]	7	19.91 [.784]	8	146133-6
2	15.24 [.600]	6	17.37 [.684]	7	146133-5
2	12.70 [.500]	5	14.83 [.584]	6	146133-4
2	10.16 [.400]	4	12.29 [.484]	5	146133-3
2	7.62 [.300]	3	9.75 [.384]	4	146133-2
2	5.08 [.200]	2	7.21 [.284]	3	146133-1

THIS DRAWING IS A CONTROLLED DOCUMENT.

DIMENSIONS: mm [INCHES]

TOLERANCES UNLESS OTHERWISE SPECIFIED:

0. PLC	±	-
1. PLC	±	-
2. PLC	±	-
3. PLC	±	.127(.005)
4. PLC	±	-
ANGLES	±	-

MATERIAL: - FINISH: SEE TABLE 3

WEIGHT: -

CUSTOMER DRAWING

SCALE: 1:1 SHEET 1 OF 1 REV L4

STE TE Connectivity

SMT HEADER ASSY, MOD II, BREAKAWAY, VERT, SR, .100 X.100 C/L, .025 SQ. POST

SIZE: A1 CAGE CODE: 00779 DRAWING NO: 146133