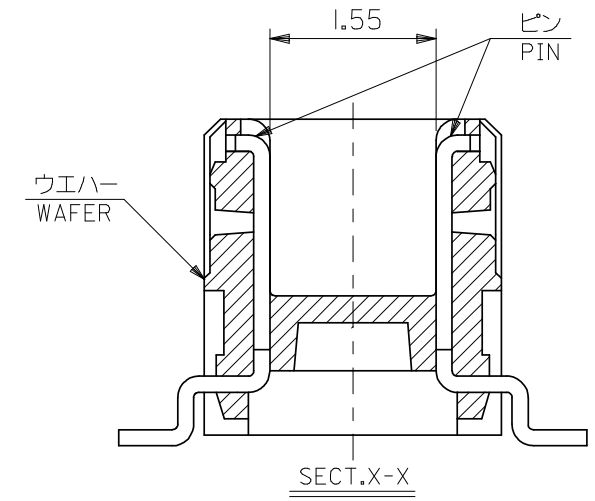


参考基板レイアウト (マウント面)
 RECOMMENDED P.C.BOARD
 PATTERN DIMENSION. (REF.)
 (MOUNTING AREA)



20.64	19.6	21.55	501017-1007	100
16.63	15.6	17.55	501017-0807	80
12.64	11.6	13.55	501017-0607	60
10.64	9.6	11.55	501017-0507	50
5.42	4.4	6.35	501017-0247	24
C	B	A	MATERIAL NO.	CIRCUIT

MODEL NO. 501017-****7

MATERIAL
 材料
 注記参照
 SEE NOTES

REVISED
 EC NO: J2008-2284
 DRWN: YMAEDA 2007/12/04
 CHKD: NUKITA 2007/12/06
 APPR: NUKITA 2007/12/06

DESCRIPTION
 GENERAL TOLERANCES (UNLESS SPECIFIED)
 10 UNDER ±0.2
 10 OVER 30 UNDER ±0.25
 30 OVER ±0.3
 ANGULAR ±--- °
 DRAFT WHERE APPLICABLE MUST REMAIN WITHIN DIMENSIONS

DIMENSION STYLE
 MM ONLY

SCALE

DESIGN UNITS
 METRIC

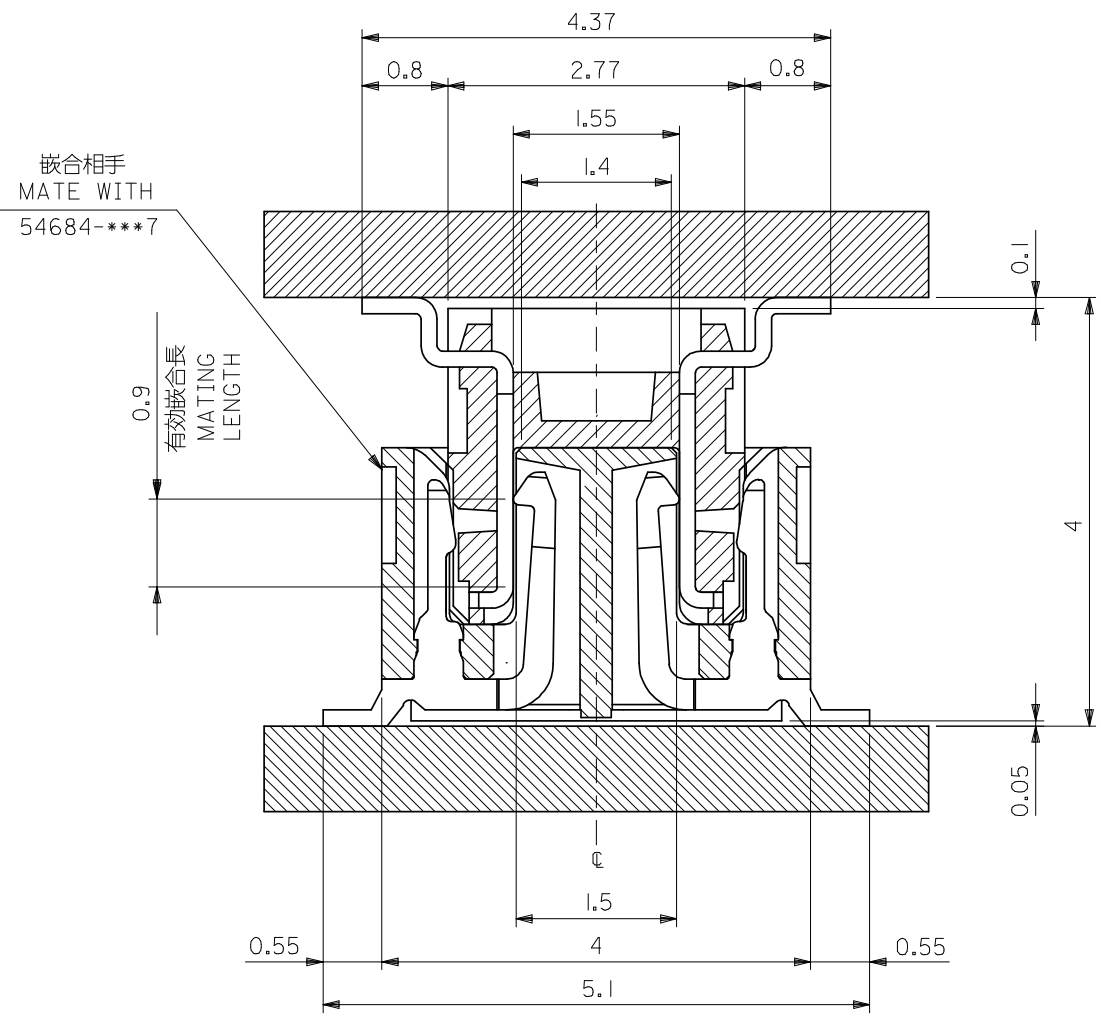
THIRD ANGLE PROJECTION

TITLE
 0.4MM B-TO-B CONN
 NO BOSS PLUG ASSY
 (HGT=4MM)

MOLEX INCORPORATED

MATERIAL NO. SEE TABLE
 DOCUMENT NO. SD-501017-001
 SHEET NO. 1 OF 2

THIS DRAWING CONTAINS INFORMATION THAT IS PROPRIETARY TO MOLEX INCORPORATED AND SHOULD NOT BE USED WITHOUT WRITTEN PERMISSION



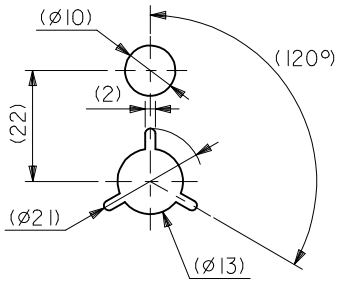
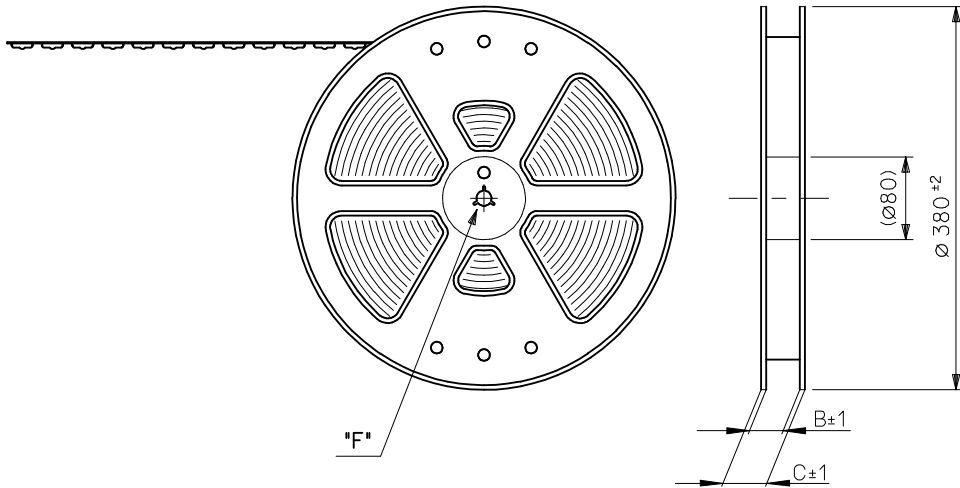
注記 NOTES:

1. 使用材料 MATERIAL
 ウエハー: 液晶ポリマー ガラス充填 UL94V-0 茶色
 WAFER: LIQUID CRYSTAL POLYMER
 GLASS FILLED UL94V-0
 COLOR BROWN
 ピン: リン青銅 (t=0.15)
 PIN: PHOSPHOR BRONZE (t=0.15)
2. メッキ仕様 PLATING
 金メッキ 0.25 マイクロメートル以上 (コンタクト部)
 GOLD 0.25MICROMETER MINIMUM (CONTACT AREA)
 金メッキ 0.4 マイクロメートル以下 (テール部)
 GOLD 0.4MICROMETER MAXIMUM (TAIL AREA)
 下地メッキ: ニッケルメッキ 1.5 マイクロメートル以上
 UNDER PLATING: NICKEL 1.5MICROMETER MINIMUM
3. (全極数/2) = 偶数の場合に適用。
 APPLY FOR (CIRCUIT/2) = EVEN.
4. 嵌合相手: 54684 シリーズ
 MATE WITH: 54684 SERIES.
5. テール平坦度は、0.10 MAX.
 TAIL COPLANARITY TO BE 0.10 MAX.
 又、テール半田付け面の位置はウエハーの底面 に対し
 上方向に0、下方向に0.15 MAX. とする。
 MISALIGNMENT OF SOLDER TAILS FROM
 : UPPER DIRECTION 0
 : LOWER DIRECTION 0.15 MAX.

嵌合断面図 (参考)
 MATED DRAWING (REF.)

MATERIAL 材料	SHEET 1 OF 2 参照 REFER TO SHEET 1 OF 2	REVISED EC NO: J2008-2284 DRWN: YMAEDA 2007/12/04 CHKD: NUKITA 2007/12/06 APPR: NUKITA 2007/12/06	DESCRIPTION	GENERAL TOLERANCES (UNLESS SPECIFIED)		DIMENSION STYLE MM ONLY		SCALE ---	DESIGN UNITS METRIC	THIRD ANGLE PROJECTION	
				10 UNDER	±0.2	DRAWN BY Y. NUKANO	DATE 2004/06/05	TITLE 0.4MM B-TO-B CONN NO BOSS PLUG ASSY (HGT=4MM)			
				10 OVER 30 UNDER	±0.25	CHECKED BY T. HIRATA	DATE 2004/06/05	APPROVED BY M. SASAO 2004/06/05			
				30 OVER	±0.3	MATERIAL NO. SEE TABLE		DOCUMENT NO. SD-501017-001		SHEET NO. 2 OF 2	
				ANGULAR	±--- °	THIS DRAWING CONTAINS INFORMATION THAT IS PROPRIETARY TO MOLEX INCORPORATED AND SHOULD NOT BE USED WITHOUT WRITTEN PERMISSION					
				DRAFT WHERE APPLICABLE MUST REMAIN WITHIN DIMENSIONS							

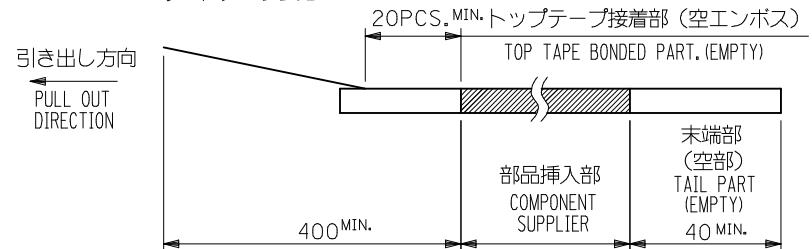
引き出し方向
PULL OUT
DIRECTION



DETAIL 'F'

NOTES

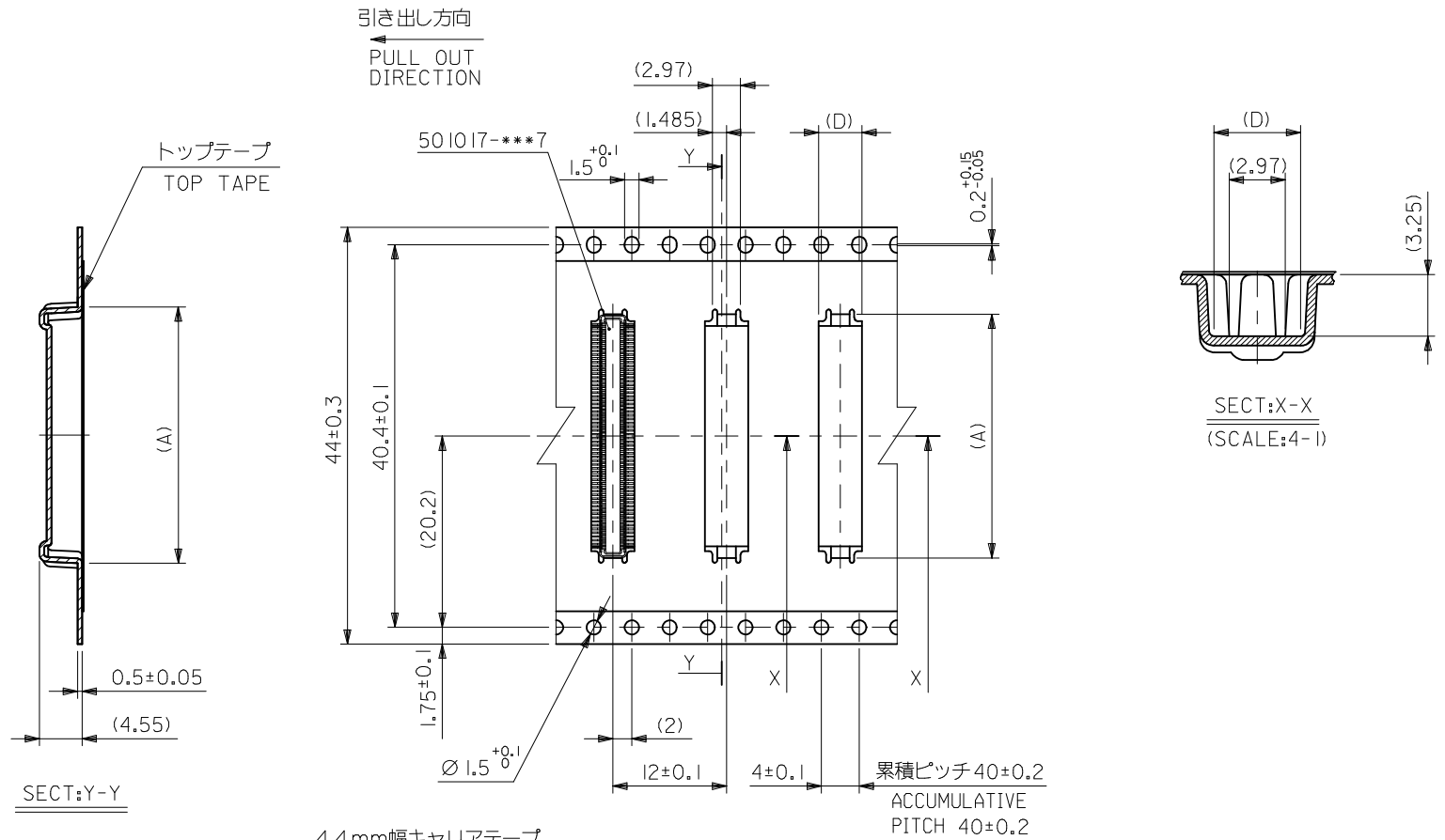
- 製品詳細寸法については図面 SD-501017-001 を参照下さい。
RE DETAILED DIMENSION, SEE SD-501017-001
- 梱包数量：1500個/リール
NUMBER OF CONNECTORS : 1500PCS/REEL
- リードテープ長さ LEAD TAPE LENGTH



- シール位置はトップテープ両端から0.5mm以上内側にて行い、
且つエンボスポケット面にかからない位置とする。
SEAL POSITION IS 0.5mm OR MORE INNER SIDE FROM TOP TAPE BOTH ENDS
AND WHICH IS NOT TAKE ON THE EMBOSSED POKET SIDE.
- 材料 (MATERIAL)
キャリアテープ (CARRIER TAPE) : ポリプロピレン (POLYPROPYLENE)
トップテープ (TOPTAPE) : PET, PE, PEF
リール (REEL) : ポリスチレン (PS) <リサイクル材を含む>
POLYSTYRENE (PS) <RECYCLE MATERIAL CONTAINED>

MODEL NO. 501017-***8

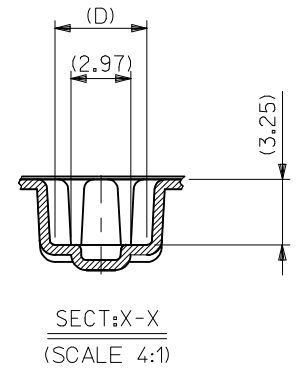
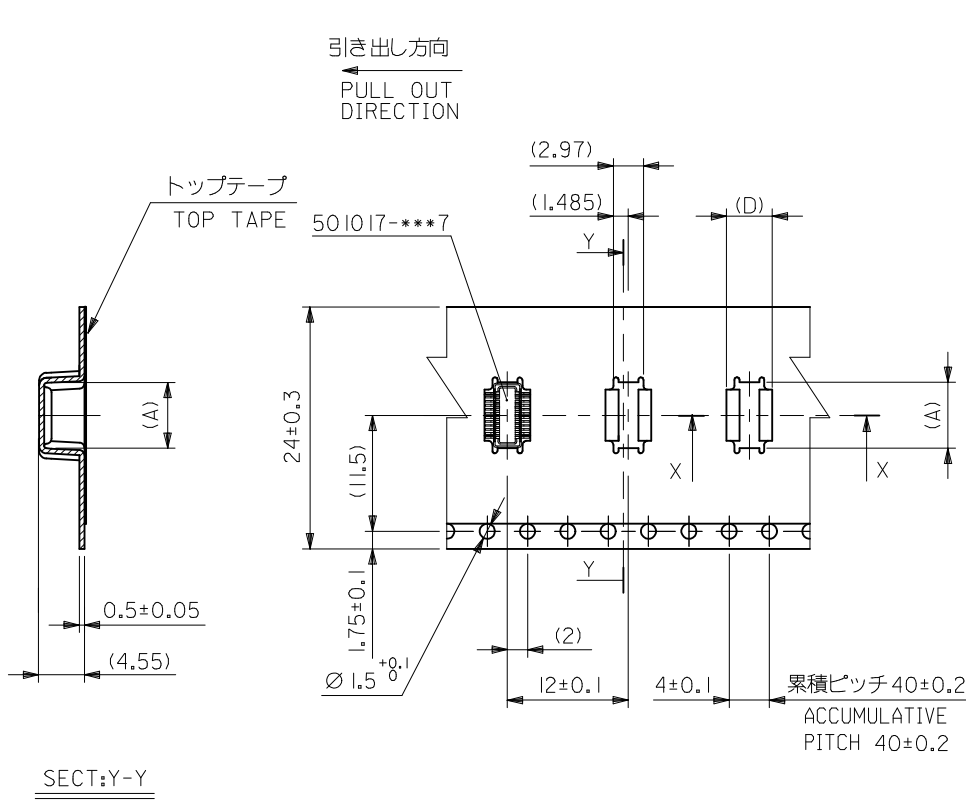
REVISED EC NO: J2014-0046 DRAWN: KINOMURA 2013/07/05 CHKD: TASAKAWA 2013/07/05 APPR: KMORIKAWA 2013/08/05	GENERAL TOLERANCES (UNLESS SPECIFIED)		DIMENSION STYLE MM ONLY		SCALE ---	DESIGN UNITS METRIC	THIRD ANGLE PROJECTION
	10 UNDER	±0.2	DRAWN BY YNUKANOBU	DATE 2004/06/05	TITLE EMBOSSSED TAPE PACKAGE FOR 501017-***7		
	10 OVER 30 UNDER	±0.25	CHECKED BY THIRATA	DATE 2004/06/05			
	30 OVER	±0.3	APPROVED BY MSASAO	DATE 2004/06/05			
ANGULAR ±3 °		MATERIAL NO. SEE TABLE		DOCUMENT NO. SD-501017-002			
DRAFT WHERE APPLICABLE MUST REMAIN WITHIN DIMENSIONS		THIS DRAWING CONTAINS INFORMATION THAT IS PROPRIETARY TO MOLEX INCORPORATED AND SHOULD NOT BE USED WITHOUT WRITTEN PERMISSION					



44mm幅キャリアテープ
44mm WIDTH CARRIER TAPE

44	4.57	49.4	45.4	21.75	501017-1008	100
キャリアテープ幅 CARRIER TAPE WIDTH	(D)	C	B	(A)	MATERIAL NO.	極数 CKT.

REVISED EC NO: J2014-0046 DRW:KKI INOMURA 2013/07/05 CHK:D:TASAKAWA 2013/07/05 APPR:KMORI KAWA 2013/08/05	GENERAL TOLERANCES (UNLESS SPECIFIED)		DIMENSION STYLE MM ONLY		SCALE ---	DESIGN UNITS METRIC	MODEL NO. 501017-***8
	10 UNDER	±0.2	DRAWN BY YNUKANOBU	DATE 2004/06/05	TITLE EMBOSSED TAPE PACKAGE FOR 501017-***7		
	10 OVER 30 UNDER	±0.25	CHECKED BY THIRATA	DATE 2004/06/05	MATERIAL NO. 501017-***8		
	30 OVER	±0.3	APPROVED BY MSASAO	DATE 2004/06/05	THIRD ANGLE PROJECTION		
REV	DESCRIPTION	ANGULAR ±3 °	MATERIAL NO.		DOCUMENT NO.		SHEET NO.
		DRAFT WHERE APPLICABLE MUST REMAIN WITHIN DIMENSIONS	SEE TABLE		SD-501017-002		2 OF 4
			THIS DRAWING CONTAINS INFORMATION THAT IS PROPRIETARY TO MOLEX INCORPORATED AND SHOULD NOT BE USED WITHOUT WRITTEN PERMISSION				

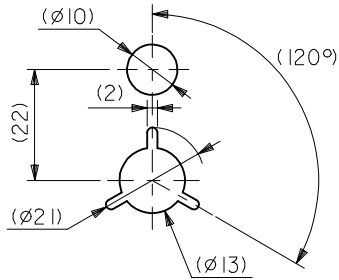
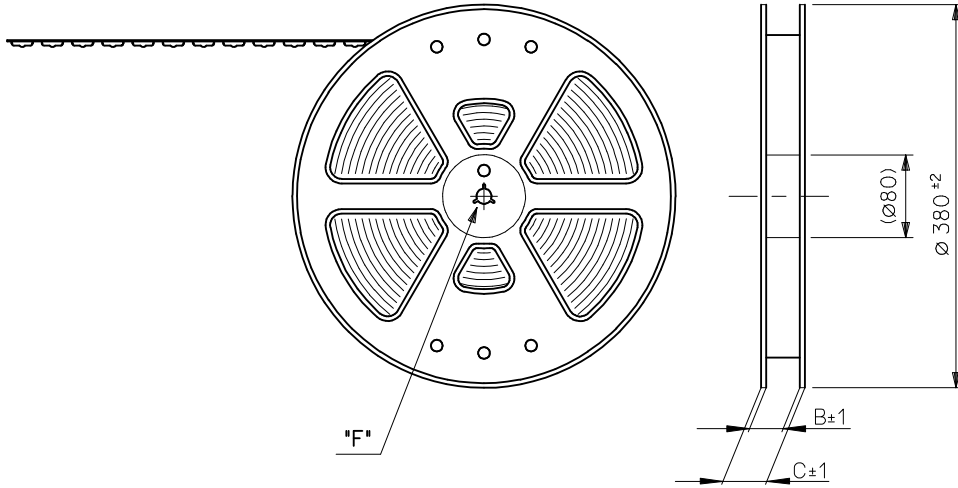


24mm幅キャリアテープ
24mm WIDTH CARRIER TAPE

24	4.57	29.4	25.4	6.55	501017-0248	24
キャリアテープ幅 CARRIER TAPE WIDTH	(D)	C	B	A	MATERIAL NO.	極数 CKT.

REVISED EC NO: J2014-0046 DRW:KKI INOMURA 2013/07/05 CHK:D:TASAKAWA 2013/07/05 APPR:KMORI KAWA 2013/08/05	GENERAL TOLERANCES (UNLESS SPECIFIED)		DIMENSION STYLE MM ONLY		SCALE ---	DESIGN UNITS METRIC	MODEL NO. 501017-***8
	10 UNDER	±0.2	DRAWN BY YNUKANOBU	DATE 2004/06/05	TITLE EMBOSSED TAPE PACKAGE FOR 501017-***7		
	10 OVER 30 UNDER	±0.25	CHECKED BY THIRATA	DATE 2004/06/05	APPROVED BY MSASAO 2004/06/05		
	30 OVER	±0.3	MATERIAL NO. SEE CHART		DOCUMENT NO. SD-501017-002	SHEET NO. 4 OF 4	
ANGULAR ±3 °		THIS DRAWING CONTAINS INFORMATION THAT IS PROPRIETARY TO MOLEX INCORPORATED AND SHOULD NOT BE USED WITHOUT WRITTEN PERMISSION					
DRAFT WHERE APPLICABLE MUST REMAIN WITHIN DIMENSIONS							

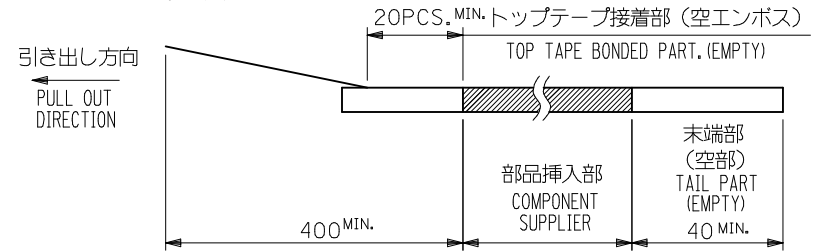
引き出し方向
PULL OUT
DIRECTION



DETAIL 'F'

NOTES

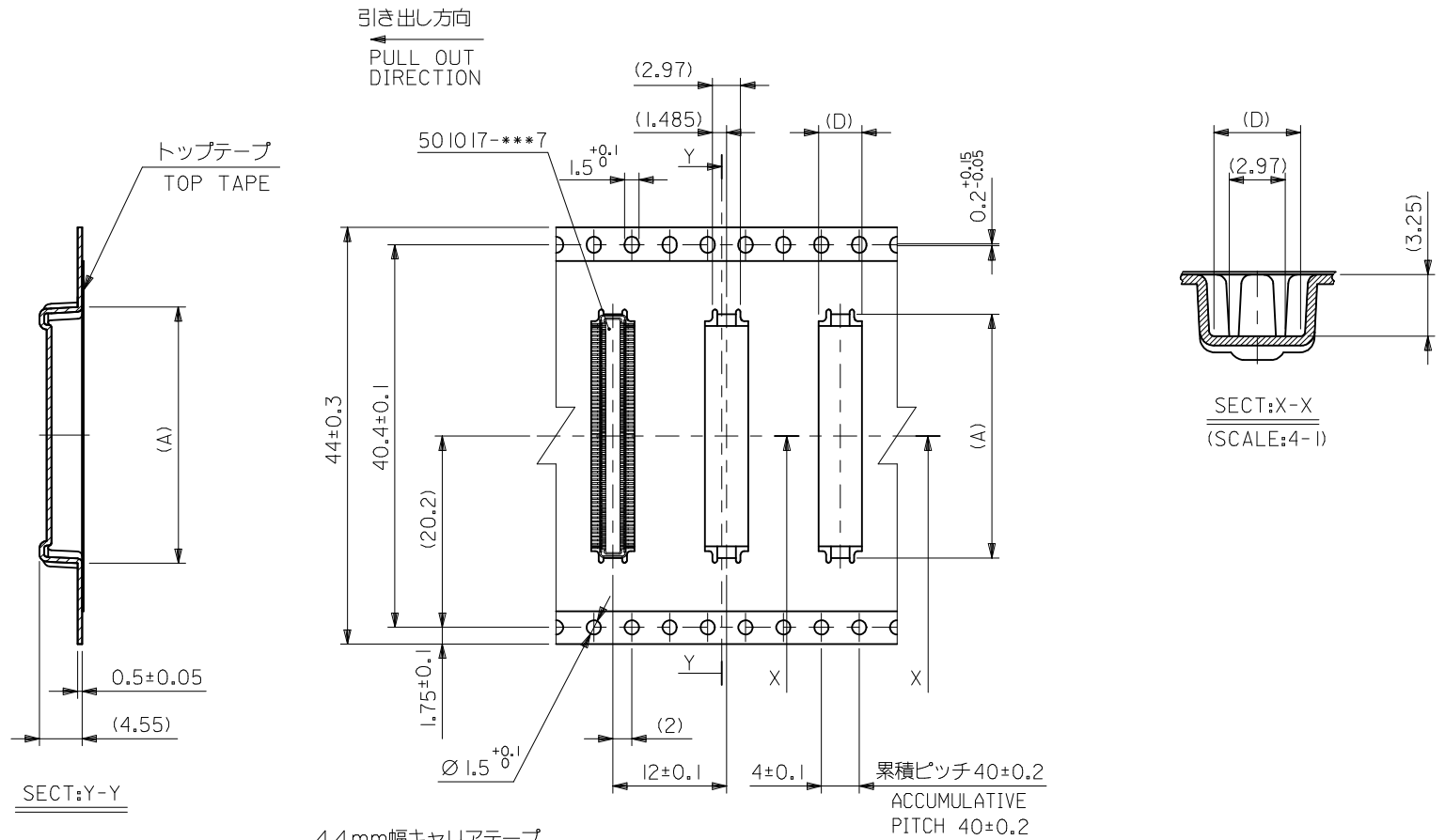
- 製品詳細寸法については図面 SD-501017-005 を参照下さい。
RE DETAILED DIMENSION, SEE SD-501017-005
- 梱包数量：1500個/リール
NUMBER OF CONNECTORS：1500PCS/REEL
- リードテープ長さ LEAD TAPE LENGTH



- シール位置はトップテープ両端から0.5mm以上内側にて行い、
且つエンボスポケット面にかからない位置とする。
SEAL POSITION IS 0.5mm OR MORE INNER SIDE FROM TOP TAPE BOTH ENDS
AND WHICH IS NOT TAKE ON THE EMBOSSED POKET SIDE.
- 材料 (MATERIAL)
キャリアテープ (CARRIER TAPE)：ポリプロピレン (POLYPROPYLENE)
トップテープ (TOPTAPE)：PET, PE, PEF
リール (REEL)：ポリスチレン (PS) <リサイクル材を含む>
POLYSTYRENE (PS) <RECYCLE MATERIAL CONTAINED>

MODEL No. 501017-***03

RELEASED EC NO: J2015-0134 DRWN: YSATO06 2014/07/24 CHKD: KTANAKA03 2014/07/28 APPR: KMORIKAWA 2014/07/28	GENERAL TOLERANCES (UNLESS SPECIFIED)		DIMENSION STYLE MM ONLY		SCALE ---	DESIGN UNITS METRIC	THIRD ANGLE PROJECTION	
	10 UNDER	±0.2	DRAWN BY YSATO06	DATE 2014/07/24	TITLE EMBOSSED TAPE PACKAGE FOR 501017-***9			
	10 OVER 30 UNDER	±0.25	CHECKED BY KTANAKA03	DATE 2014/07/28				
	30 OVER	±0.3	APPROVED BY KMORIKAWA	DATE 2014/07/28				
	ANGULAR ±3 °		MATERIAL NO. SEE CHART		DOCUMENT NO. SD-501017-006		SHEET NO. 1 OF 2	
DRAFT WHERE APPLICABLE MUST REMAIN WITHIN DIMENSIONS		THIS DRAWING CONTAINS INFORMATION THAT IS PROPRIETARY TO MOLEX INCORPORATED AND SHOULD NOT BE USED WITHOUT WRITTEN PERMISSION						



44mm幅キャリアテープ
44mm WIDTH CARRIER TAPE

44	4.57	49.4	45.4	25.75	501017-1203	120
キャリアテープ幅 CARRIER TAPE WIDTH	D	C	B	A	MATERIAL NO.	極数 CIRCUITS

MODEL No. : 501017-***03

RELEASED EC NO: J2015-0134 DRWN:YSAT006 CHKD:KTANAKA03 APPR:KMORIKAWA 2014/07/24 2014/07/28 2014/07/28	GENERAL TOLERANCES (UNLESS SPECIFIED)		DIMENSION STYLE MM ONLY		SCALE ---	DESIGN UNITS METRIC	THIRD ANGLE PROJECTION
	10 UNDER	±0.2	DRAWN BY YSAT006	DATE 2014/07/24	TITLE EMBOSSED TAPE PACKAGE FOR 501017-***9 molex DOCUMENT NO. SD-501017-006 SHEET NO. 2 OF 2		
	10 OVER 30 UNDER	±0.25	CHECKED BY KTANAKA03	DATE 2014/07/28			
	30 OVER	±0.3	APPROVED BY KMORIKAWA	DATE 2014/07/28			
0	ANGULAR ±3 °	DRAFT WHERE APPLICABLE MUST REMAIN WITHIN DIMENSIONS		SEE CHART		MATERIAL NO.	