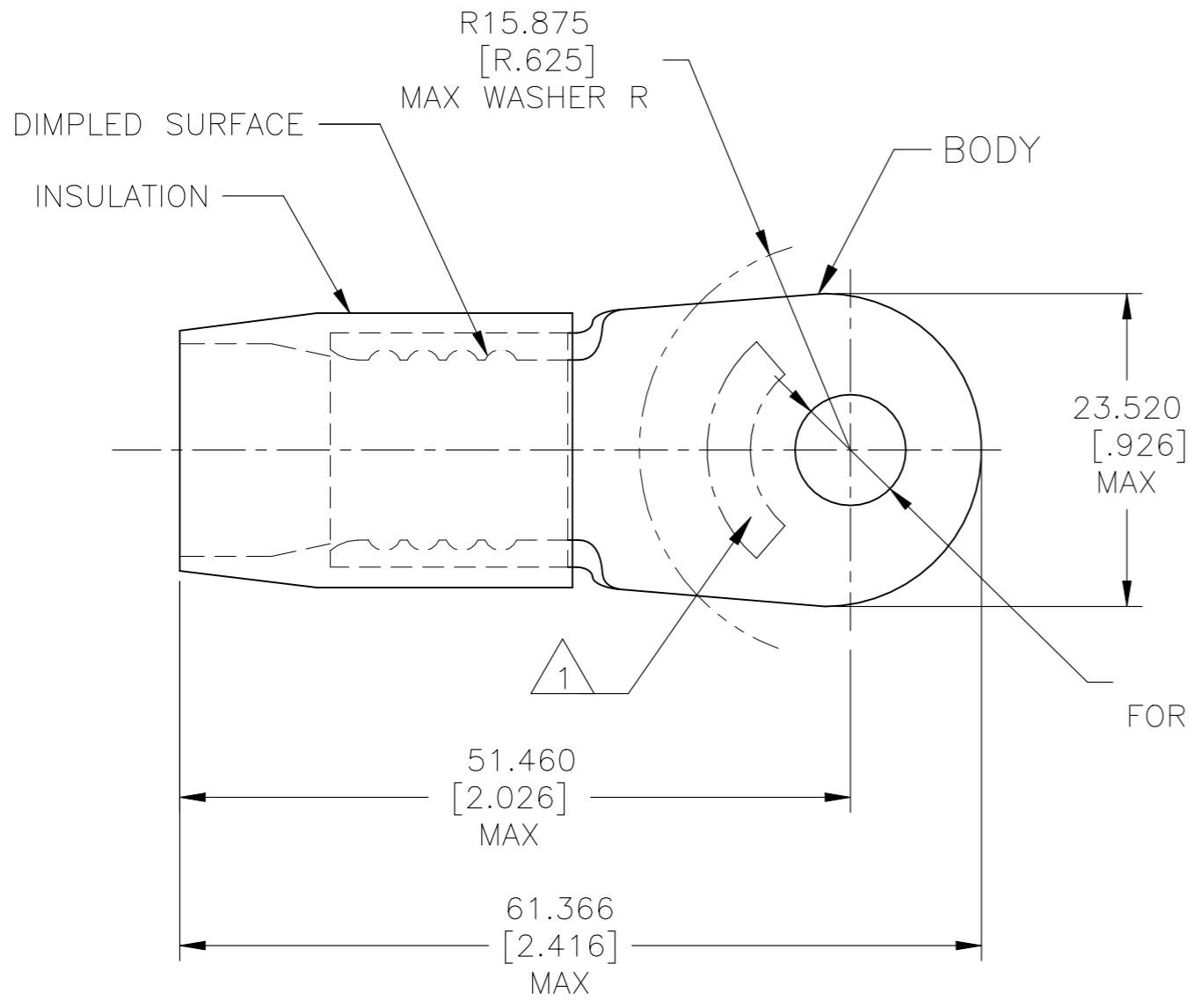


REVISIONS				
P	LTR	DESCRIPTION	DATE	APVD
	F4	REVISED PER ECN-22-150900	28APR2022	RK CSD

AMP
WIRE RANGE

2/0 AWG
STRANDED



- 1 STAMP AMP 2/0 W*, LOCATE APPROX AS SHOWN.
- 2 BODY MATERIAL THK 2.032±0.051 [.080±.002]
- 3 WIRE INSULATION ø15.494 [ø.610] MAX.
- 4 BODY: COPPER PER ASTM B-152
INSULATION: NYLON ASTM D4066 TYPE I.
- 5 BODY: TIN PLATED PER ASTM B-545
INSULATION: COLOR-YELLOW.

25	LOOSE PC	324083
QTY	PACKAGE TYPE	PART NO

MAX RECOMMENDED OPERATING TEMPERATURE: 105°C [221°F]	THIS DRAWING IS A CONTROLLED DOCUMENT.		DWN S.S. GOULDEN 9-28-93	TE Connectivity	
	VOLTAGE RATING: -	DIMENSIONS: mm [INCHES]	TOLERANCES UNLESS OTHERWISE SPECIFIED:		CHK R. HERSEY 9-28-93
CIRCULAR MIL AREA: 60.6-76.3mm ² [119,500-150,500] STRANDED		0 PLC ± -	1 PLC ± -		APVD M ELLIS 9-28-93
		2 PLC ± -	3 PLC ± 0.127[.005]		PRODUCT SPEC
	MATERIAL	4 PLC ± -	5 FINISH ± -	APPLICATION SPEC	
				WEIGHT -	
				SIZE A3 CAGE CODE 00779 DRAWING NO C-324083 RESTRICTED TO -	
				CUSTOMER DRAWING SCALE NTS SHEET 1 OF 1 REV F4	