

1

2

3

4

A

A

B

B

C

C

D

D

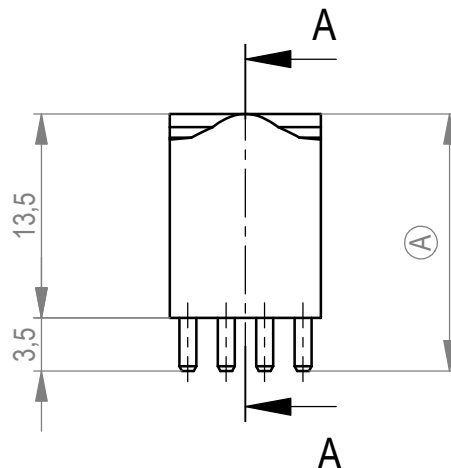
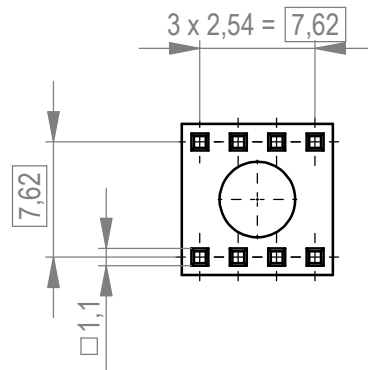
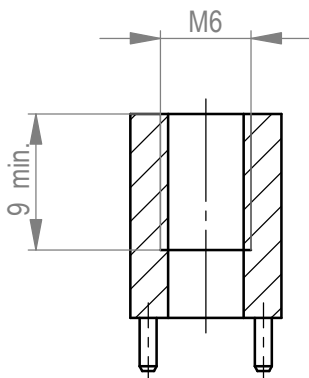
E

E

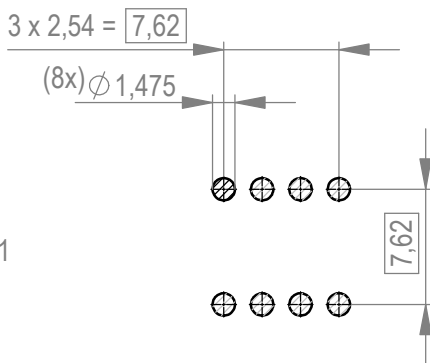
F

Weitergabe sowie Vervielfältigung dieses Dokuments, Verwertung und Mitteilung seines Inhalts sind verboten, soweit nicht ausdrücklich gestattet. Zuwiderhandlungen verpflichten zu Schadenersatz. Alle Rechte für den Fall der Patent-, Gebrauchsmuster- oder Geschmacksmustererziehung vorbehalten. The reproduction, distribution and utilization of this document as well as the communication of its contents to others without express authorization is prohibited. Offenders will be held liable for the payment of damages. All rights reserved in the event of the grant of a patent, utility model or design.

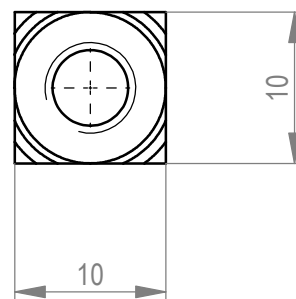
Schnitt A-A
cross section A-A



Layout - Vorschlag
PCB - Layout proposal
M / scale 1:1



M / scale 1:1



2-6µm Sn matt über 1-3µm Cu
2-6µm sn matt over 1-3µm cu
Ⓐ Oberfläche / plating

Dimension no.	Tolerances Dim. for Information ISO 8015	 All Dimensions in mm	Scale 2:1	Material CuZn39 Pb 3
Customer drawing: This Drawing is a controlled Document.	Subject to modification without prior notice. Drawing will not be updated.		ERNI-ERNI-PowerElement Female Thread Two Row Population M6	
c1	13.05.2023		C-225696-E	
Index	Date		Class POWELM	C A4