



## Main

|   |   |
|---|---|
| Range of Product  | Telemecanique Pressure sensors XM   |
| Product or Component Type                               | Electromechanical pressure sensor   |
| Pressure sensor type                                    | Electromechanical pressure sensor   |
| Device short name                                       | XMLA  |
| Pressure Rating   | 4351.13 psi (300 bar)   |
| Controlled fluid  | Hydraulic oil 32...320 °F (0...160 °C))   |
| Fluid connection type                                   | G 1/4 (female) ISO 228  |
| Electrical connection                                   | Screw-clamps terminals, 1 x 0.5...2 x 2.5 mm <sup>2</sup><br>1 connector ISO M20  |
| AWG Gauge   | AWG 20...AWG 14   |
| Cable entry   | Cable gland 0.28...0.51 in (7...13 mm)  |
| Contacts type and composition                           | 1 C/O   |
| Product Specific Application                            | -   |
| Pressure switch type of operation                       | Detection of 1 single threshold   |
| Electrical circuit type                                 | Control circuit   |
| Scale type  | Fixed differential  |
| Local display   | With  |
| Adjustable range of switching point on rising pressure  | 290.08...4351.13 psi (20...300 bar)   |
| Adjustable range of switching point on falling pressure | 50.76...3843.50 psi (3.5...265 bar)   |
| Maximum permissible accidental pressure                 | 9790.05 psi (675 bar)   |
| Destruction pressure                                    | 19580.10 psi (1350 bar)   |
| Pressure actuator                                       | Piston  |
| Materials in contact with fluid                         | Steel<br>FPM, FKM<br>Brass<br>PTFE  |
| Enclosure Material                                      | Zinc alloy  |
| Line Rated Current                                      | 3 A, B300, AC-15 (U <sub>e</sub> = 120 V)EN/IEC 60947-5-1<br>1.5 A, B300, AC-15 (U <sub>e</sub> = 240 V)EN/IEC 60947-5-1<br>0.1 A, R300, DC-13 (U <sub>e</sub> = 250 V)EN/IEC 60947-5-1 |

## Complementary

|  |   |
|--|---|
| Natural differential at low setting      | 239.31 psi (16.5 bar) +/- 3 bar)                              |
| Natural differential at high setting     | 507.63 psi (35 bar) +/- 6 bar)                                |
| Maximum permissible pressure - per cycle | 5438.92 psi (375 bar)   |
| Terminal block type                      | 4 terminals   |
| Maximum operating rate                   | 60 cyc/mn   |
| Repeat accuracy                          | 2 %   |
| [Ui] rated insulation voltage            | 300 V UL 508<br>500 V EN/IEC 60947-1<br>300 V CSA C22.2 No 14 |
| [Uimp] rated impulse withstand voltage   | 6 kV EN/IEC 60947-1   |

|                                     |  |
|-------------------------------------|--|
| Auxiliary contacts operation        | Snap action  |
| Contacts material                   | Silver contacts  |
| Maximum resistance across terminals | 25 MOhm IEC 255-7 category 3<br>25 mOhm NF C 93-050 method A |
| Short-circuit protection            | 10 A cartridge fuse gG (gl)                                  |
| Mechanical durability               | 3000000 cycles   |
| Setting                             | External   |
| Height                              | 4.45 in (113 mm)   |
| Depth                               | 2.95 in (75 mm)  |
| Width                               | 1.38 in (35 mm)  |
| Net Weight                          | 1.65 lb(US) (0.75 kg)  |

## Environment

|                                       |   |
|---------------------------------------|---|
| Standards                             | UL 508<br>EN/IEC 60947-5-1<br>CSA C22.2 No 14<br>CE                 |
| Product Certifications                | CSA<br>LROS (Lloyds register of shipping)<br>UL<br>EAC<br>BV<br>CCC |
| Protective treatment                  | TC standard version   |
| Ambient Air Temperature for Operation | -13...158 °F (-25...70 °C)  |
| Ambient Air Temperature for Storage   | -40...158 °F (-40...70 °C)  |
| Operating position                    | Any position  |
| Vibration resistance                  | 4 gn 30...500 Hz)IEC 60068-2-6                                      |
| Shock resistance                      | 50 gn IEC 60068-2-27  |
| Electrical shock protection class     | Class I IEC 1140<br>Class I IEC 536<br>Class I NF C 20-030          |
| IP degree of protection               | IP66 conforming to EN/IEC 60529                                     |

## Ordering and shipping details

|                       |                                    |
|-----------------------|------------------------------------|
| Category              | 22661-XMLA,B,C,D PRESSURE SWITCHES |
| Discount Schedule     | DS2                                |
| GTIN                  | 3389110751451                      |
| Nbr. of units in pkg. | 1                                  |
| Package weight(Lbs)   | 26.60 oz (754.0 g)                 |
| Returnability         | No                                 |
| Country of origin     | CZ                                 |

## Packing Units

|                              |                        |
|------------------------------|------------------------|
| Unit Type of Package 1       | PCE                    |
| Package 1 Height             | 1.57 in (4 cm)         |
| Package 1 width              | 3.23 in (8.2 cm)       |
| Package 1 Length             | 4.80 in (12.2 cm)      |
| Unit Type of Package 2       | S02                    |
| Number of Units in Package 2 | 13                     |
| Package 2 Weight             | 22.27 lb(US) (10.1 kg) |
| Package 2 Height             | 5.91 in (15 cm)        |
| Package 2 width              | 11.81 in (30 cm)       |
| Package 2 Length             | 15.75 in (40 cm)       |

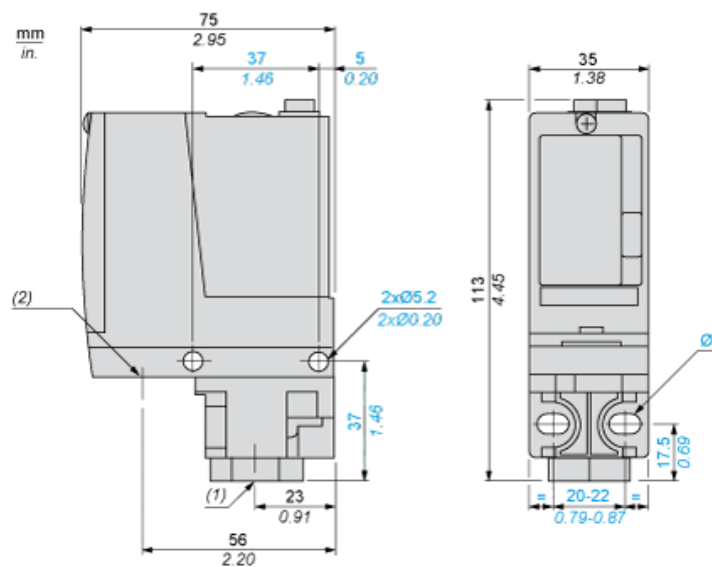
## Offer Sustainability

|                            |   |
|----------------------------|---|
| Sustainable offer status   | Green Premium product   |
| California proposition 65  | WARNING: This product can expose you to chemicals including: Diisononyl phthalate (DINP), which is known to the State of California to cause cancer, and Di-isodecyl phthalate (DIDP), which is known to the State of California to cause birth defects or other reproductive harm. For more information go to <a href="http://www.P65Warnings.ca.gov">www.P65Warnings.ca.gov</a> |
| REACH Regulation           | <a href="#">REACH Declaration</a>   |
| EU RoHS Directive          | Pro-active compliance (Product out of EU RoHS legal scope) <a href="#">EU RoHS Declaration</a>  |
| Mercury free               | Yes   |
| RoHS exemption information | <a href="#">Yes</a>   |
| Environmental Disclosure   | <a href="#">Product Environmental Profile</a>   |

## Contractual warranty

|          |           |
|----------|-----------|
| Warranty | 18 months |
|----------|-----------|

Dimensions



- (1) 1 fluid entry, tapped G1/4 (BSP female)
- (2) 1 electrical connections entry, tapped M20 x 1.5
- Ø : 2 elongated holes Ø 5.2 x 6.7

---

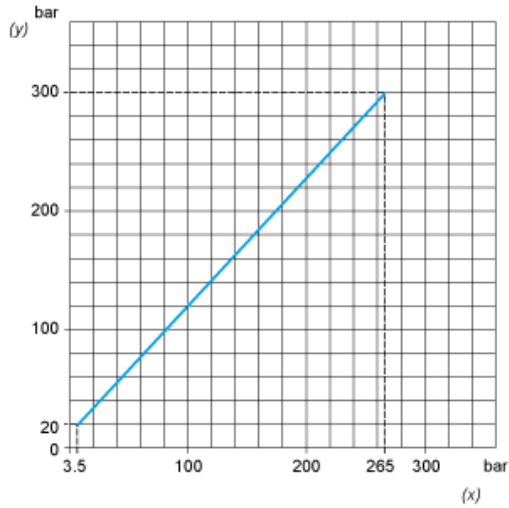
## Wiring Diagram

---

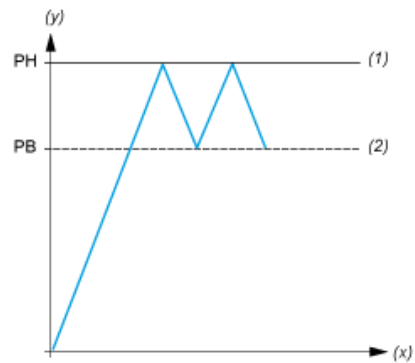
### Terminal Model



Operating Curves



(y) Rising pressure  
(x) Falling pressure



(y) Pressure  
(x) Time  
(1) Adjustable value  
(2) Non adjustable value  
PH : High point  
PB : Below point