

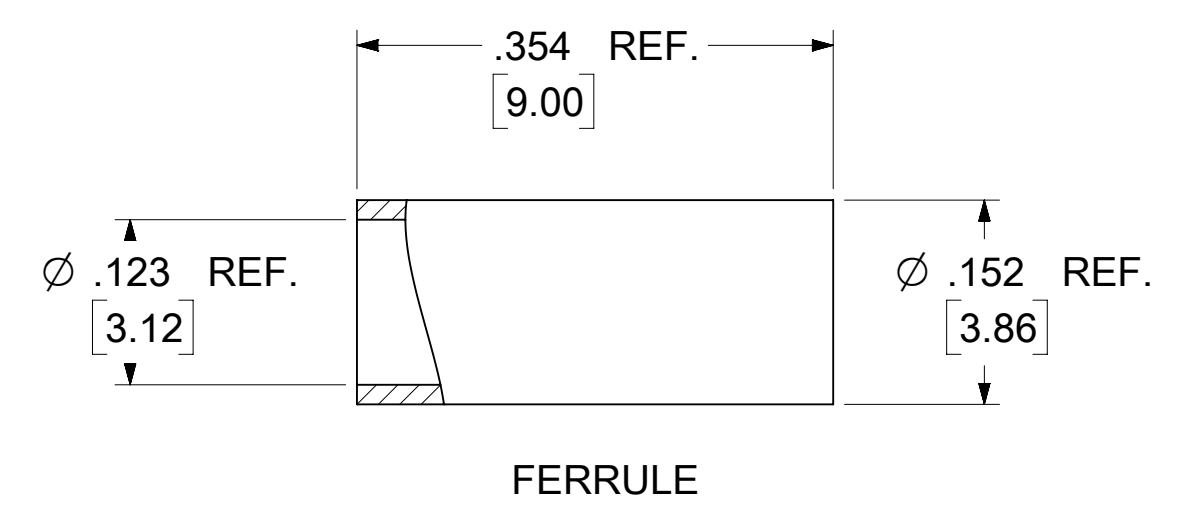
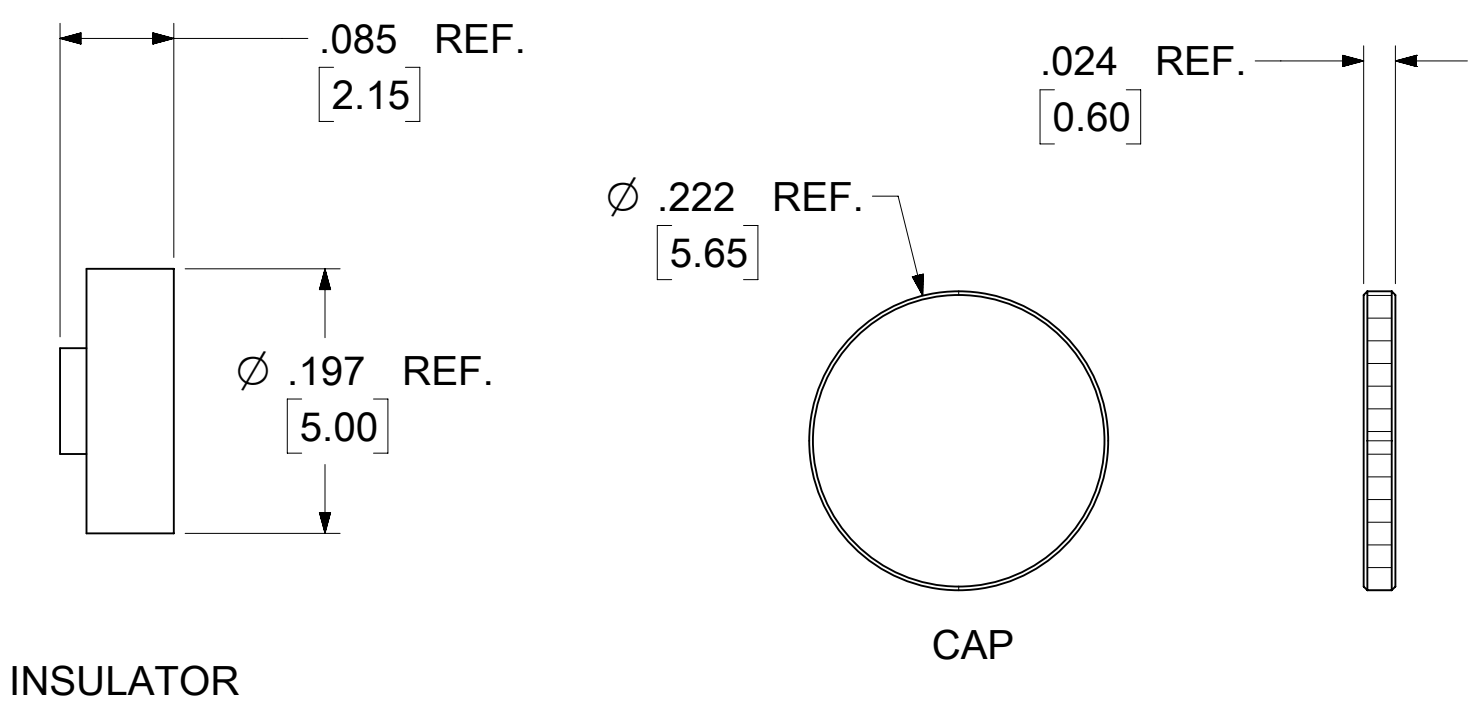
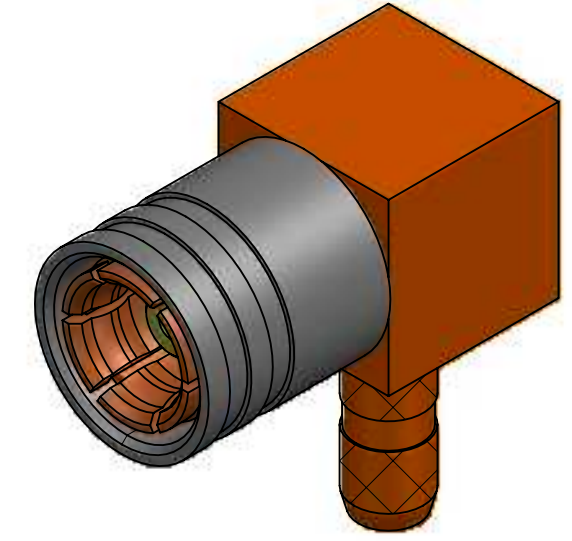
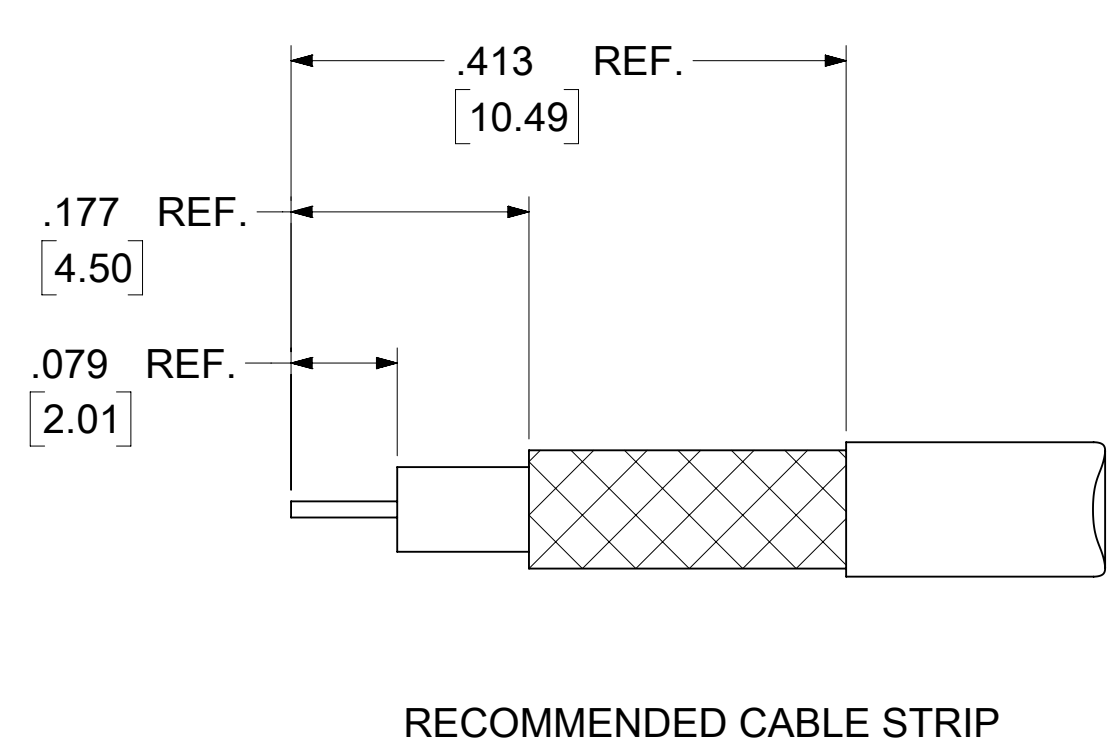
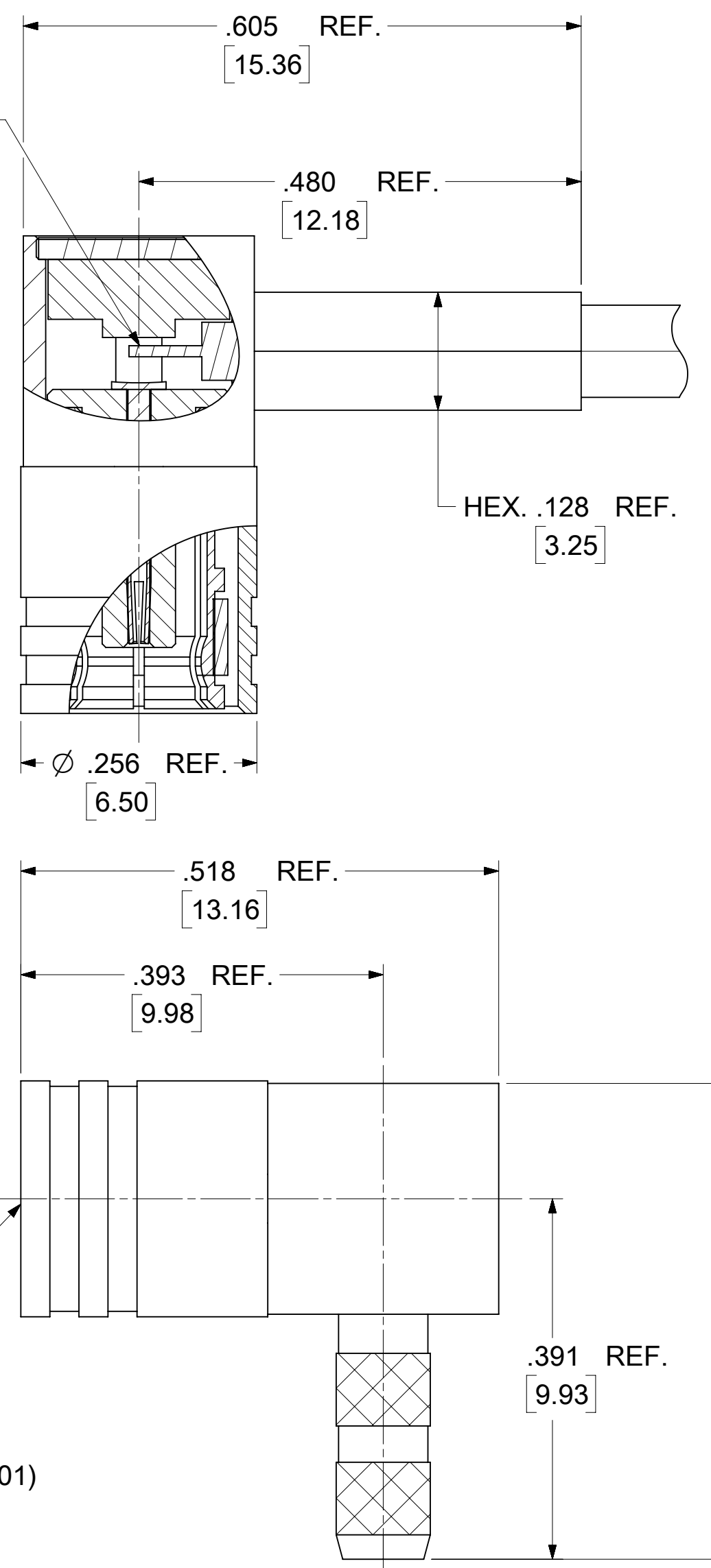
**MATERIALS AND FINISHES**

- BODY, FERRULE , CAP BRASS  
PLATED GOLD
- CONTACT BERYLLIUM COPPER  
PLATED GOLD
- INSULATOR TEFLON
- RETAINING RING: BERYLLIUM COPPER

**LABEL FORMAT FOR  
73404-3000**

PART NUMBER: 73100-0256  
ORDER NUMBER: 73404-3000  
MOLEX  
DATE: YYWW

SMB PLUG  
75 OHM  
ACCEPTS PIN  
Ø0.38 (.015) ± 0.025 (.001)



73404-3000	1 PIECE 73100-0256 IN SINGLE BAG WITH LABEL
73100-0256	TRAY
PART NO.	PACKAGING

AS-73597-0047	ASSY. INSTRUCTION
PS-89675-3540	ELECTRO / MECH. PERFORM.
SPECIFICATION	DESCRIPTION

DOCUMENT STATUS	P1	RELEASE DATE	2020/12/02	02:24:23
-----------------	----	--------------	------------	----------

<b>FUNCTIONAL SYMBOLS</b> FA = 0 EC = 0 EP = 0 <b>DIVISIONAL SYMBOLS</b>	THIS DRAWING CONTAINS INFORMATION THAT IS PROPRIETARY TO MOLEX ELECTRONIC TECHNOLOGIES, LLC AND SHOULD NOT BE USED WITHOUT WRITTEN PERMISSION			
	DIMENSION UNITS	SCALE		
	INCH/MM	NTS	EC NO: 649818	
	GENERAL TOLERANCES (UNLESS SPECIFIED)		DRWN: ELIN 2020/11/11	
ANGULAR TOL ± 2.0°		CHK'D: YCHENG 2020/12/02		
4 PLACES ±		APPR: YCHENG 2020/12/02		
3 PLACES ±		INITIAL REVISION:		
2 PLACES ±		DRWN: SSHAH 2007/12/07		
1 PLACE ±		APPR: JWIENER 2010/12/13		
0 PLACES ±		THIRD ANGLE PROJECTION		
DRAFT WHERE APPLICABLE MUST REMAIN WITHIN DIMENSIONS		DRAWING	SERIES	MATERIAL NUMBER
		C-SIZE	73100	SEE TABLE
		CUSTOMER		SHEET NUMBER
		GENERAL MARKET		1 OF 1

**MATERIALS AND FINISHES**

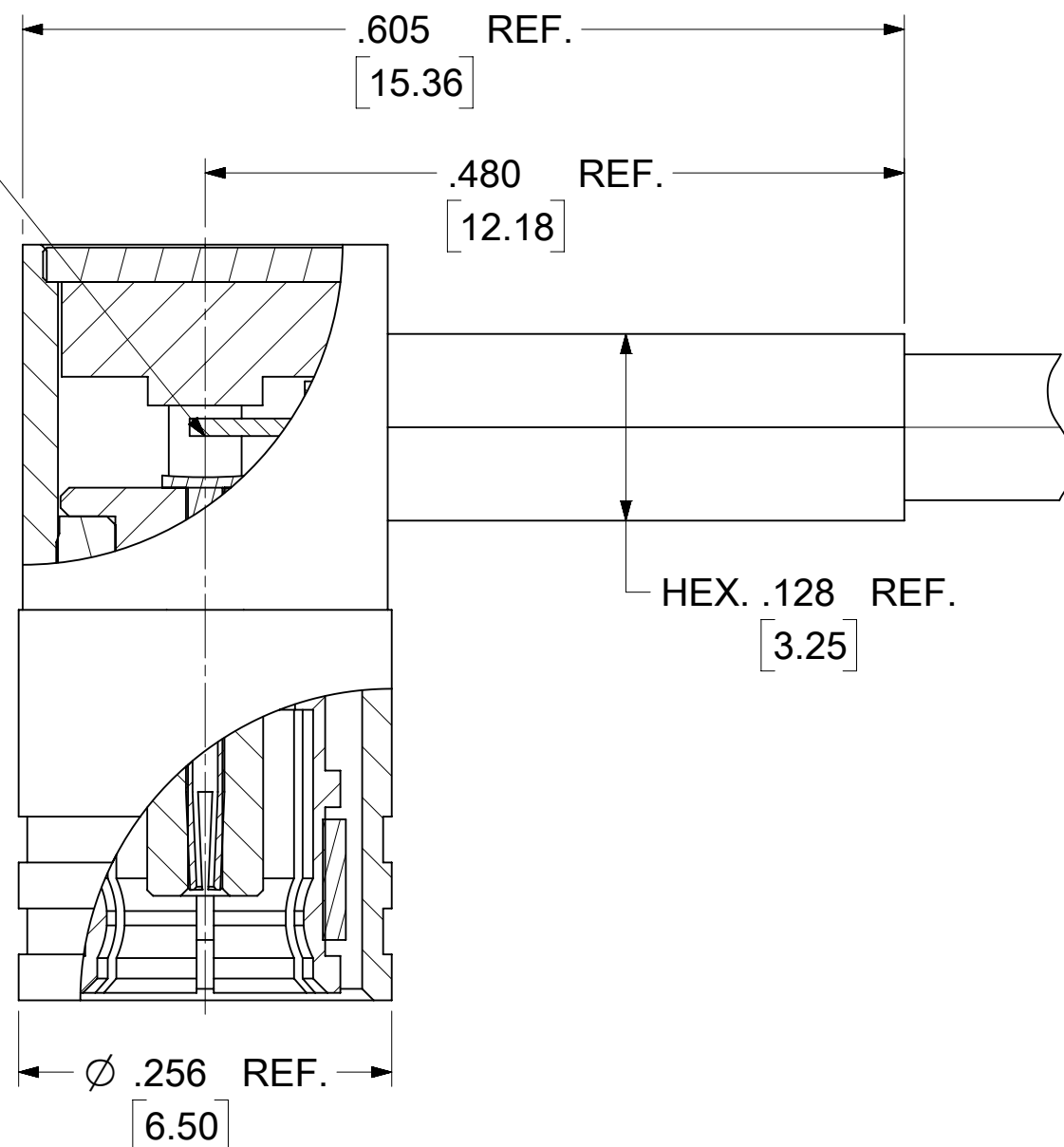
BODY, FERRULE , CAP BRASS  
PLATED GOLD

CONTACT BERYLLIUM COPPER  
PLATED GOLD

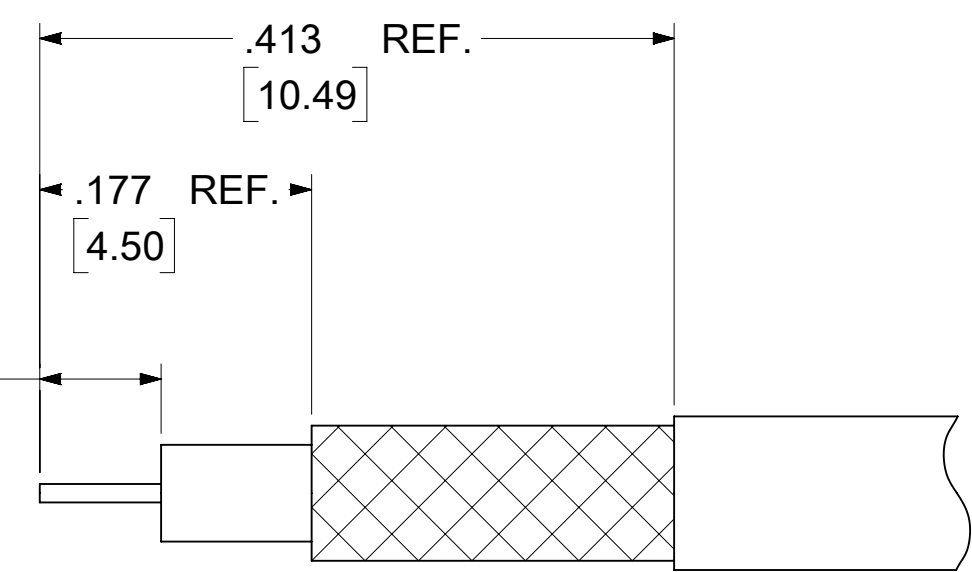
INSULATOR TEFLON

RETAINING RING: BERYLLIUM COPPER

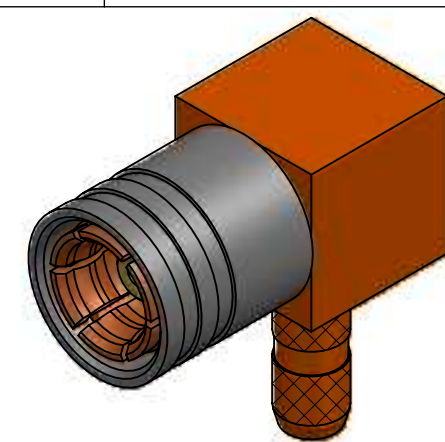
SOLDER CABLE  
TO CONTACT



.079 REF.  
[2.01]

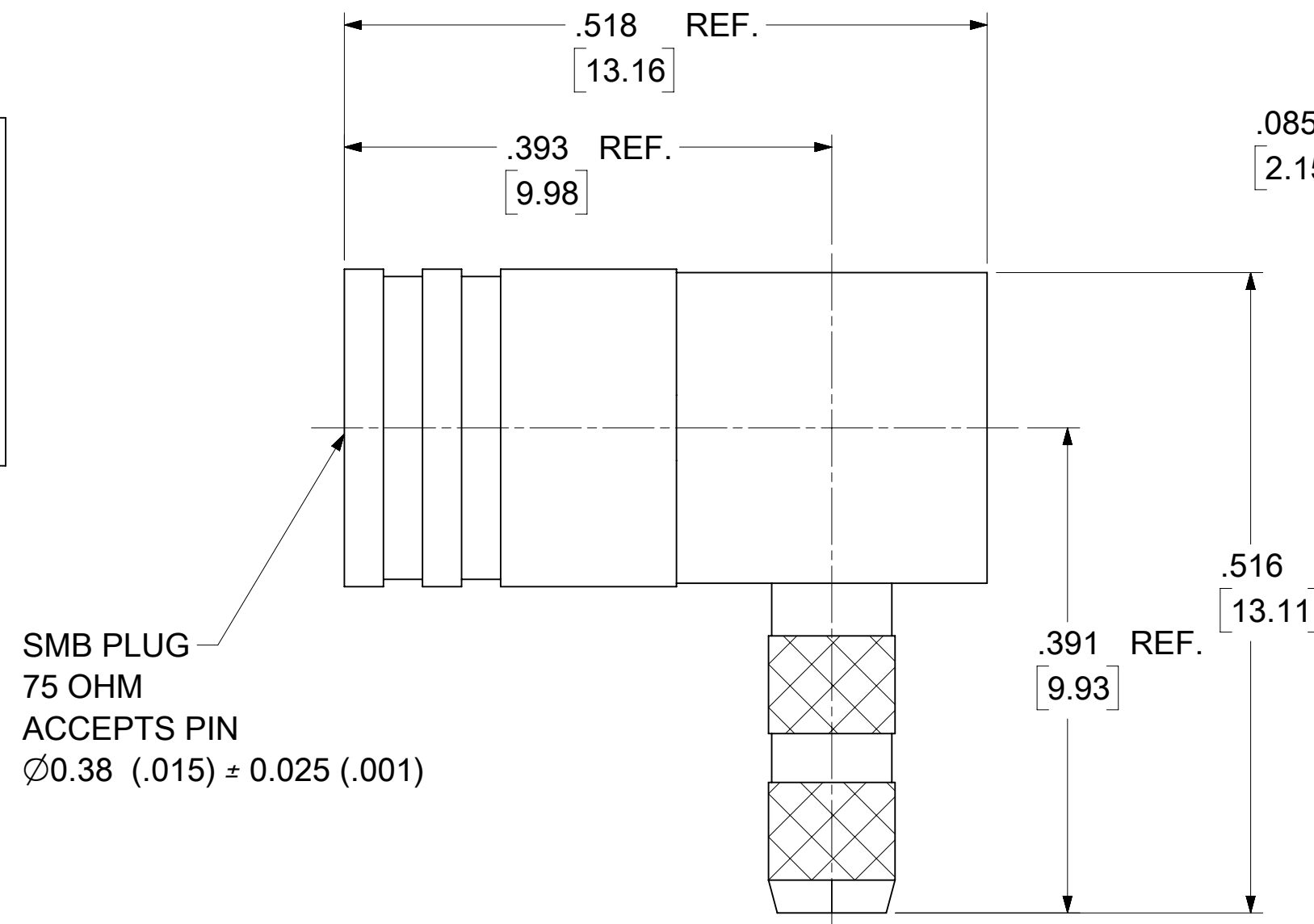


RECOMMENDED CABLE STRIP

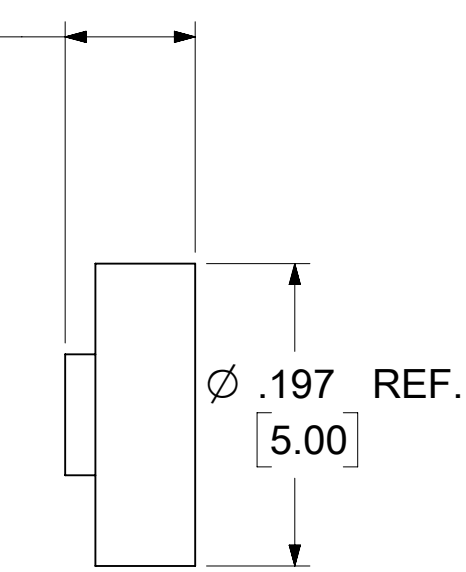


LABEL FORMAT FOR  
73404-3000

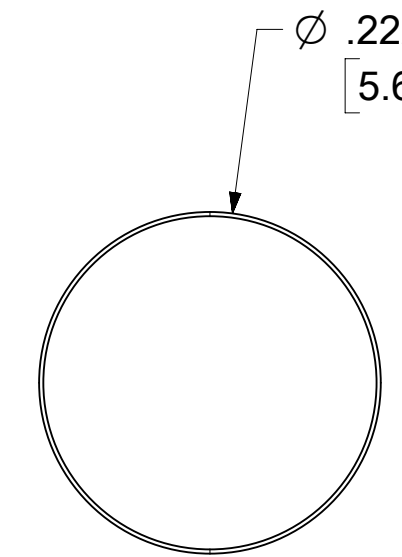
PART NUMBER: 73100-0256  
ORDER NUMBER: 73404-3000  
MOLEX  
DATE: YYWW



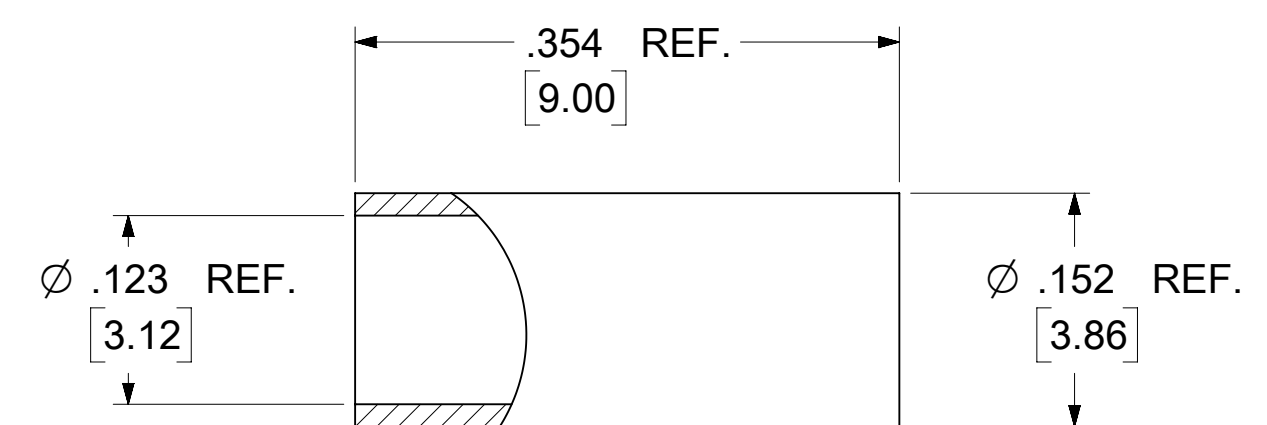
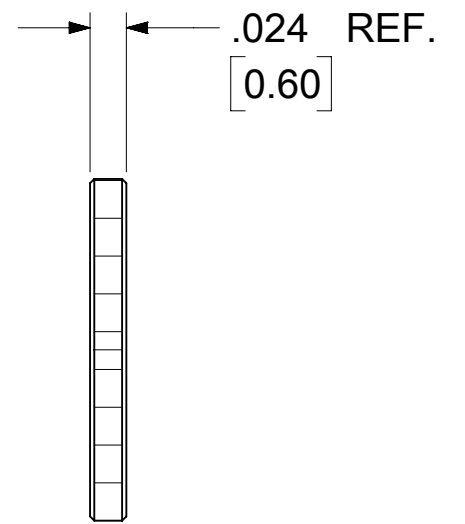
SMB PLUG  
75 OHM  
ACCEPTS PIN  
Ø0.38 (.015) ± 0.025 (.001)



INSULATOR



CAP



FERRULE

73404-3000	1 PIECE 73100-0256 IN SINGLE BAG WITH LABEL
73100-0256	TRAY
PART NO.	PACKAGING

AS-73597-0047	ASSY. INSTRUCTION
PS-89675-3540	ELECTRO / MECH. PERFORM.
SPECIFICATION	DESCRIPTION

DOCUMENT STATUS	P1	RELEASE DATE	2020/12/02	02:24:24
-----------------	----	--------------	------------	----------

FUNCTIONAL SYMBOLS $\nabla_A = 0$ $\nabla_C = 0$ $\nabla_P = 0$	THIS DRAWING CONTAINS INFORMATION THAT IS PROPRIETARY TO MOLEX ELECTRONIC TECHNOLOGIES, LLC AND SHOULD NOT BE USED WITHOUT WRITTEN PERMISSION	CURRENT REV DESC: ADDED AS ON THE DRAWING PER EWR # 14130-A					
	DIMENSION UNITS	SCALE	EC NO: 649818				SMB PLUG RA 75 OHM RG179 MATS TO .015 PIN SMB-PC/RA, EWR-4676
	INCH/MM	NTS	DRWN: ELIN	2020/10/29	PRODUCT CUSTOMER DRAWING		
	GENERAL TOLERANCES (UNLESS SPECIFIED)			CHK'D: YCHENG	2020/12/02	DOCUMENT NUMBER	
ANGULAR TOL ± 2.0°			APPR: YCHENG	2020/12/02	DOC TYPE   DOC PART   REVISION		
4 PLACES ±			INITIAL REVISION:	SD-73404-300			
3 PLACES ±			DRWN: AROBERTSON	2011/03/31	PSD 001 A3		
2 PLACES ±			APPR: JWIENER	2011/04/04	MATERIAL NUMBER		
1 PLACE ±			THIRD ANGLE PROJECTION		CUSTOMER		
0 PLACES ±			DRAWING		SHEET NUMBER		
DRAFT WHERE APPLICABLE MUST REMAIN WITHIN DIMENSIONS			C-SIZE		SEE TABLE		
			SERIES		GENERAL MARKET		
			73404		1 OF 1		