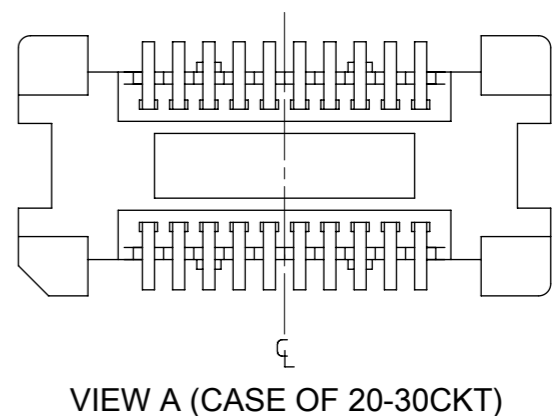


参考基板レイアウト (マウント面)
P.C. BOARD PATTERN
DIMENSION. (REF.)
(MOUNTING AREA)

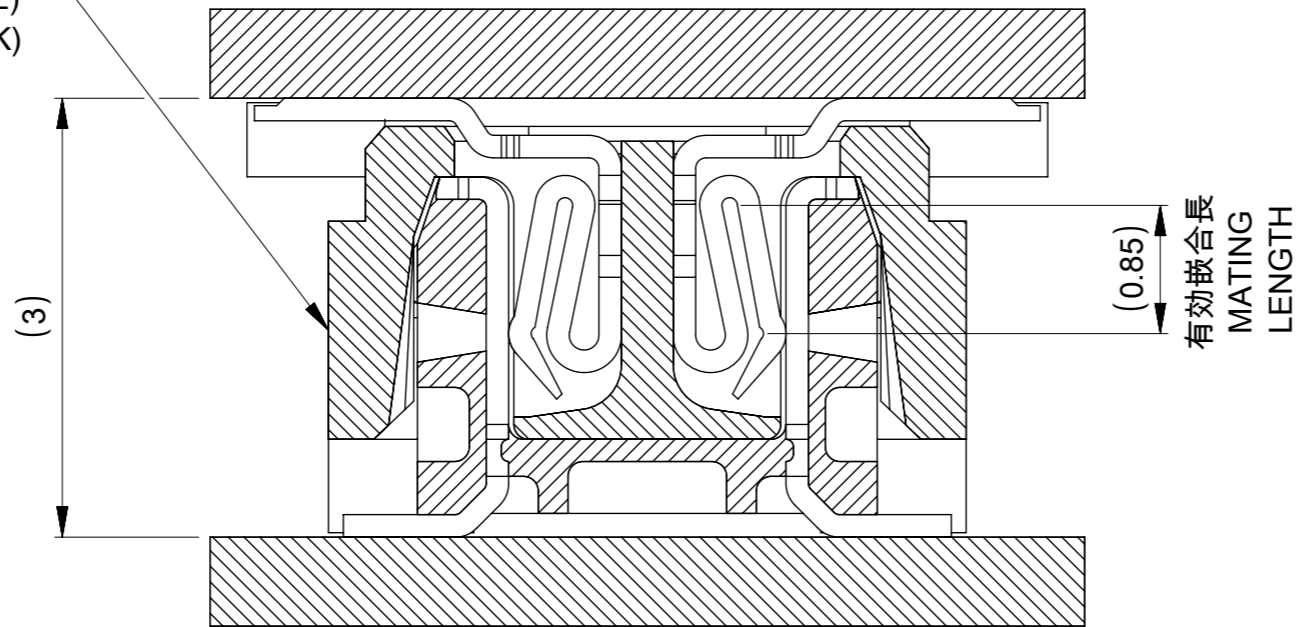


- 注記 NOTES:
1. 使用材料 MATERIAL
ハウジング : LCPガラス入り (白), UL94V-0
HOUSING : LCP(G.F.)(COLOR:WHITE), UL94V0
ターミナル : 黄銅 (t=0.15)
TERMINAL: BRASS (t=0.15)
 2. メッキ仕様 PLATING
全体仕上げ : 金メッキ 0.1 MICROMETER MIN.
ALL OVER : GOLD 0.1 MICROMETER MIN.
下地メッキ : ニッケルメッキ 1.5 MICROMETER MIN.
UNDER PLATING : NICKEL 1.5 MICROMETER MIN.
 3. 基準面 X からのソルダーテールの半田付け面のズレ量は、上方向 0 下方向 0.15MAX. とする。
MISALIGNMENT OF SOLDER TAIL FROM X
△ (全極数/2) = 偶数の場合に適用。
APPLY FOR (CIRCUIT/2)=EVEN.
 4. 4
 5. 嵌合相手 : 52991シリーズ (嵌合高さ = 3mm)、54167シリーズ (嵌合高さ = 3mm)
MATE WITH: 52991 SERIES (HEIGHT = 3mm), AND 54167 SERIES (HEIGHT = 3mm)
 6. テール平坦度は、0.1MAX.
TAIL COPLANARITY TO BE 0.1MAX.
 7. ELV及びRoHS適合品
ELV AND RoHS COMPLIANT

23.8	20.24	19.5	53748-0808	80
21.3	17.74	17	53748-0708	70
18.8	15.24	14.5	53748-0608	60
16.3	12.74	12	53748-0508	50
13.8	10.24	9.5	53748-0408	40
11.3	7.74	7	53748-0308	30
8.8	5.24	4.5	53748-0208	20
C	B	A	EMBOSSED TAPE	極数
			ORDER NO.	CIRCUIT
CONNECTOR SERIES NO.			53748-***0	

THIS DRAWING CONTAINS INFORMATION THAT IS PROPRIETARY TO MOLEX ELECTRONIC TECHNOLOGIES, LLC AND SHOULD NOT BE USED WITHOUT WRITTEN PERMISSION		CURRENT REV DESC:		molex	
DIMENSION UNITS	SCALE				
mm	8:1			0.5 MM PITCH B-TO-B CONN. HEIGHT = 3 PLUG	
GENERAL TOLERANCES (UNLESS SPECIFIED)		ANGULAR TOL ± 30°		EC NO: 739518	
4 PLACES ± 0.2		3 PLACES ± 0.25		DRWN: TNAKAGAWA01 2023/02/21	
10 ^{UNDER} ± 0.2		2 PLACES ± 0.3		CHK'D: SMARUYAMA 2023/06/02	
10 ^{OVER} ± 0.25		1 PLACE ±		APPR: YNAITO 2023/06/02	
30 ^{OVER} ± 0.3		0 PLACES ±		INITIAL REVISION:	
ANGULAR ± 3°		THIRD ANGLE PROJECTION		DRWN: NAKAMURAA 2008/12/08	
DRAFT WHERE APPLICABLE MUST REMAIN WITHIN DIMENSIONS		DRAWING		APPR: NUKITA 2009/01/09	
		SERIES		DOCUMENT NUMBER	
		A3-SIZE		SD-53748-002	
		53748		DOC TYPE DOC PART REVISION	
		SEE TABLE		PSD 001 F	
		GENERAL		SHEET NUMBER	
		1 OF 2			

嵌合相手 MATE WITH
 52991-***8 (白 WHITE)
 52991-***2 (白 WHITE)
 54167-***8 (黒 BLACK)



嵌合断面図 (参考)
 MATED DRAWING (REF.)

THIS DRAWING CONTAINS INFORMATION THAT IS PROPRIETARY TO MOLEX ELECTRONIC TECHNOLOGIES, LLC AND SHOULD NOT BE USED WITHOUT WRITTEN PERMISSION

DIMENSION UNITS SCALE
 mm 20:1

GENERAL TOLERANCES (UNLESS SPECIFIED)

ANGULAR TOL ± 30°

4 PLACES ± 0.2

3 PLACES ± 0.25

2 PLACES ± 0.3

1 PLACE ±

0 PLACES ±

ANGULAR ± 3°

DRAFT WHERE APPLICABLE MUST REMAIN WITHIN DIMENSIONS

DRAFT WHERE APPLICABLE MUST REMAIN WITHIN DIMENSIONS

CURRENT REV DESC:

EC NO: 739518

DRWN: TNAKAGAWA01

CHK'D: SMARUYAMA

APPR: YNAITO

INITIAL REVISION:

DRWN: NAKAMURAA

APPR: NUKITA

THIRD ANGLE PROJECTION

DRAWING A3-SIZE

SERIES 53748

MATERIAL NUMBER SEE SHEET 1

CUSTOMER GENERAL

molex

0.5 MM PITCH B-TO-B CONN.

HEIGHT = 3 PLUG

PRODUCT CUSTOMER DRAWING

DOCUMENT NUMBER SD-53748-002

DOC TYPE PSD

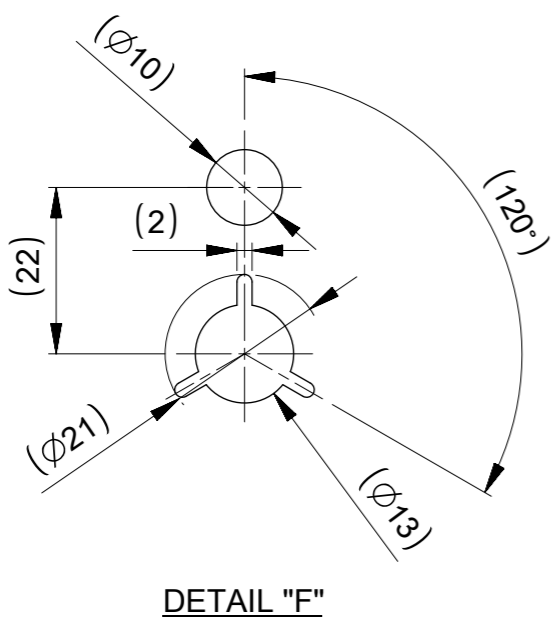
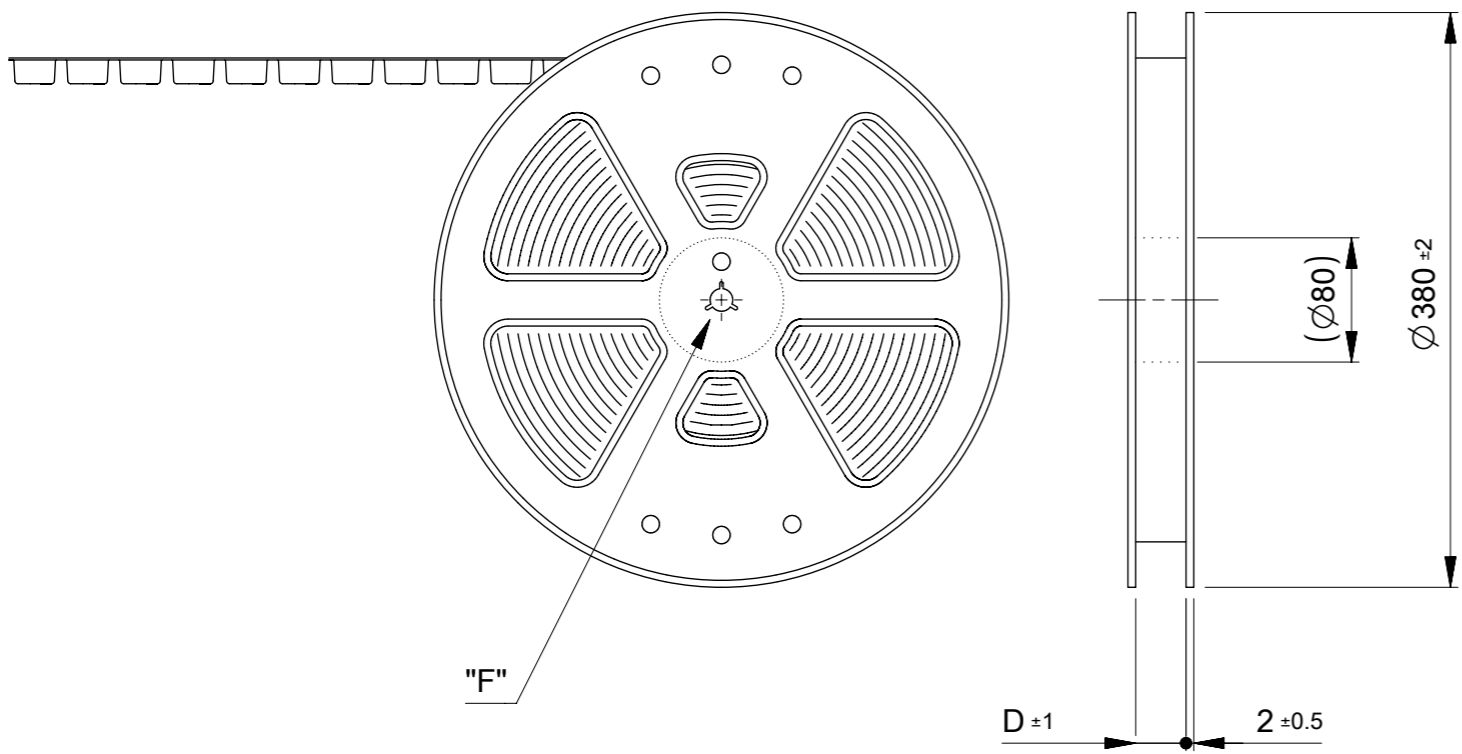
DOC PART 001

REVISION F

SHEET NUMBER 2 OF 2

GENERAL TOLERANCES (UNLESS SPECIFIED)	
10 ^{UNDER}	±0.2
10 ^{OVER} 30 ^{UNDER}	±0.25
30 ^{OVER}	±0.3
ANGULAR ± 3°	
DRAFT WHERE APPLICABLE MUST REMAIN WITHIN DIMENSIONS	

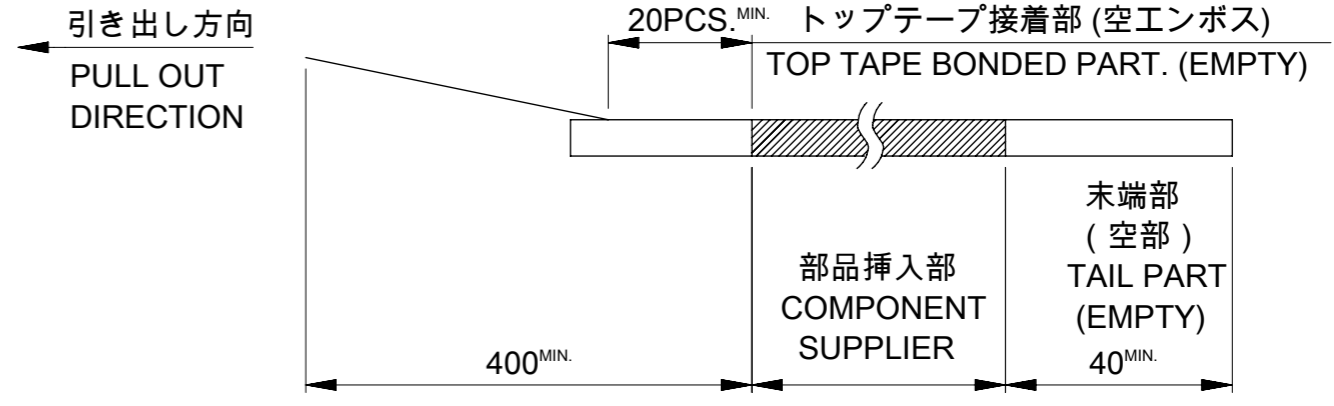
引き出し方向
PULL OUT
DIRECTION



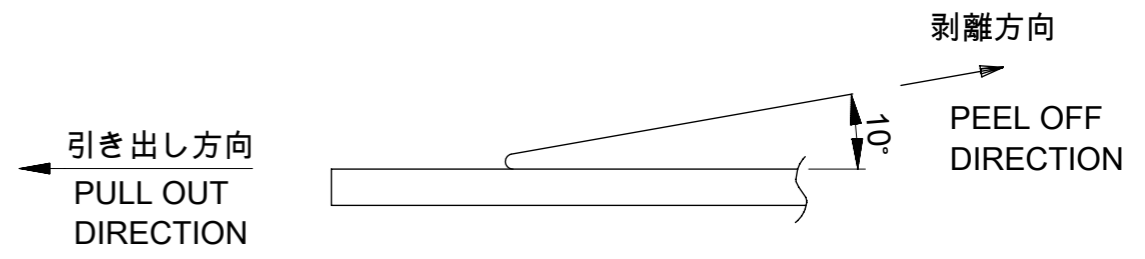
DETAIL "F"

NOTES

- 製品詳細寸法については図面 SD-53748-002を参照下さい。
DETAIL DIMENSION, SEE SD-53748-002
- 梱包数量 : 3000個 / リール
NUMBER OF CONNECTORS : 3000PCS/REEL
- リードテープ長さ LEAD TAPE LENGTH



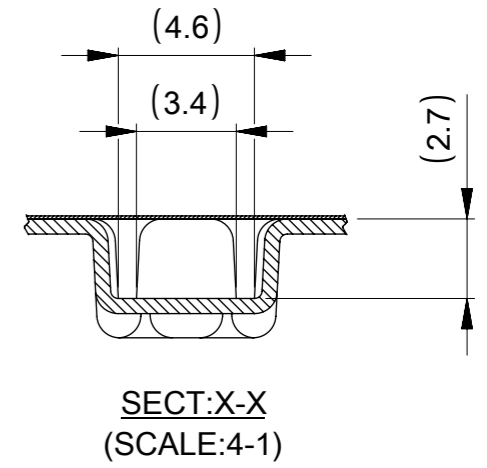
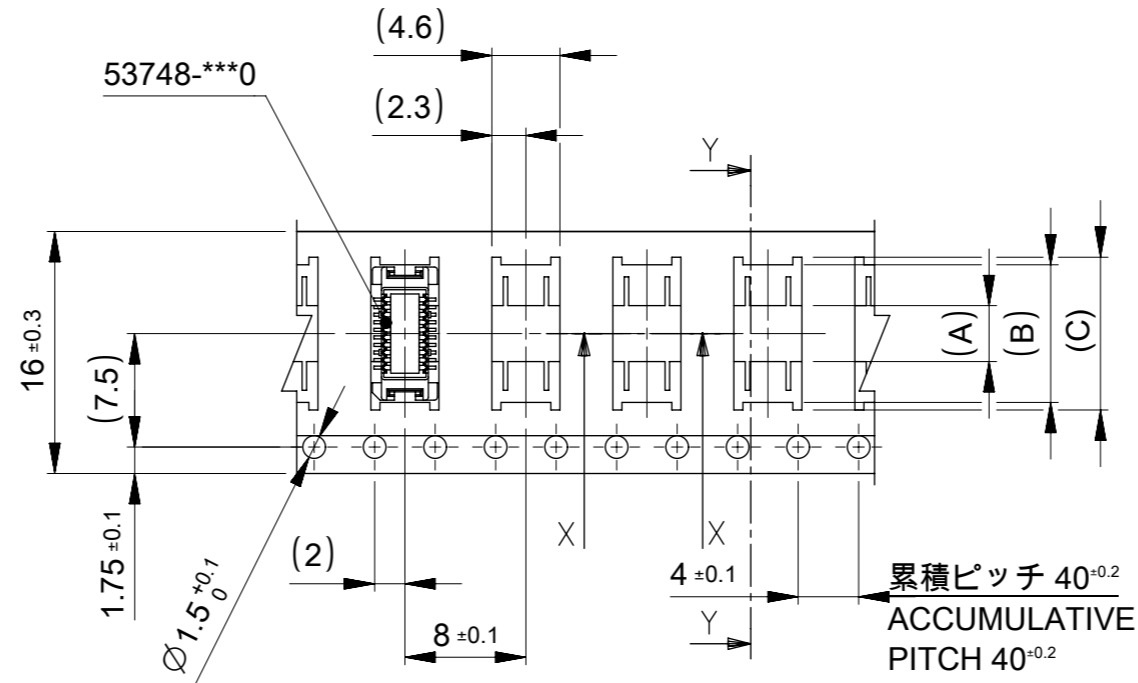
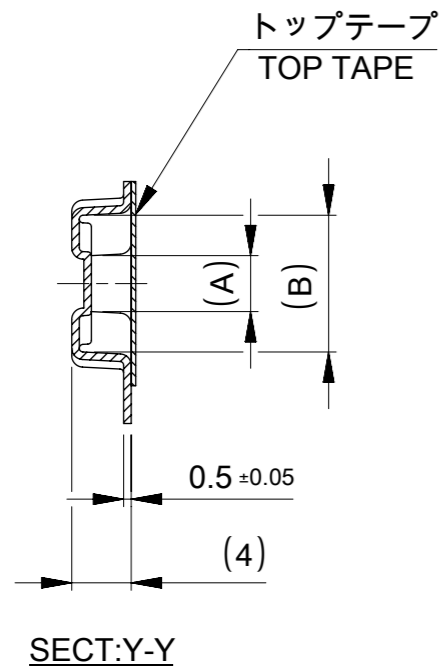
- トップテープの剥離強度 : 0.1N ~ 0.7N(10.2gf ~ 71.4gf)
(剥離方向は下図参照)
尚、本規格値は出荷時に適用。(但し、輸送時に剥離が発生しないこと。)
PEELING OFF FORCE OF TOP TAPE: 0.1N ~ 0.7N(10.2gf ~ 71.4gf)
(PEELING DIRECTION AS SHOWN IN FOLLOWING FIG.)
THIS REQUIREMENT SHOULD BE APPLIED AT SHIPMENT.
PEEL OFF SHOULD NOT BE ALLOWED, DURING TRANSPORTATION.



- 材料 (MATERIAL)
キャリアテープ (CARRIER TAPE) : ポリプロピレン (POLYPROPYLENE)
トップテープ (TOPTAPE) : PET , PE , PEF
リール(REEL) : ポリスチレン (PS) <リサイクル材を含む>
POLYSTYREN(PS) <RECYCLE MATERIAL CONTANED>

THIS DRAWING CONTAINS INFORMATION THAT IS PROPRIETARY TO MOLEX ELECTRONIC TECHNOLOGIES, LLC AND SHOULD NOT BE USED WITHOUT WRITTEN PERMISSION		CURRENT REV DESC:		molex	
DIMENSION UNITS	SCALE				
mm	NTS			0.5 MM PITCH B-TO-B CONN. HEIGHT = 3 PLUG EMBOSS TAPE PACKAGE	
GENERAL TOLERANCES (UNLESS SPECIFIED)		GENERAL TOLERANCES (UNLESS SPECIFIED)		PRODUCT CUSTOMER DRAWING	
ANGULAR TOL ± 30°		ANGULAR TOL ± 30°		DOCUMENT NUMBER	
4 PLACES ± 0.2		4 PLACES ± 0.2		SD-53748-005	
3 PLACES ± 0.25		3 PLACES ± 0.25		DOC TYPE	
2 PLACES ± 0.3		2 PLACES ± 0.3		PSD	
1 PLACE ±		1 PLACE ±		DOC PART	
0 PLACES ±		0 PLACES ±		001	
ANGULAR+3°		ANGULAR+3°		REVISION	
DRAFT WHERE APPLICABLE MUST REMAIN WITHIN DIMENSIONS		DRAFT WHERE APPLICABLE MUST REMAIN WITHIN DIMENSIONS		F	
THIRD ANGLE PROJECTION		DRAWING		SHEET NUMBER	
A3-SIZE		SERIES		1 OF 5	
53748		MATERIAL NUMBER		CUSTOMER	
SEE SHEET 2-5		GENERAL			

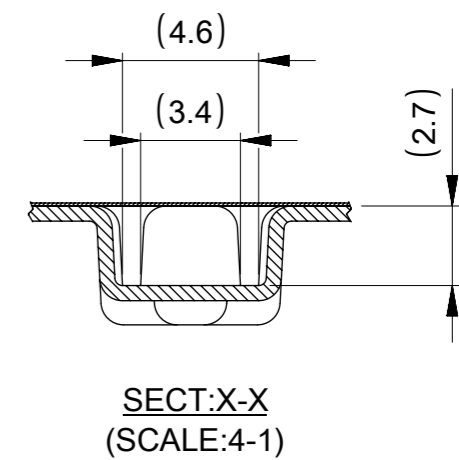
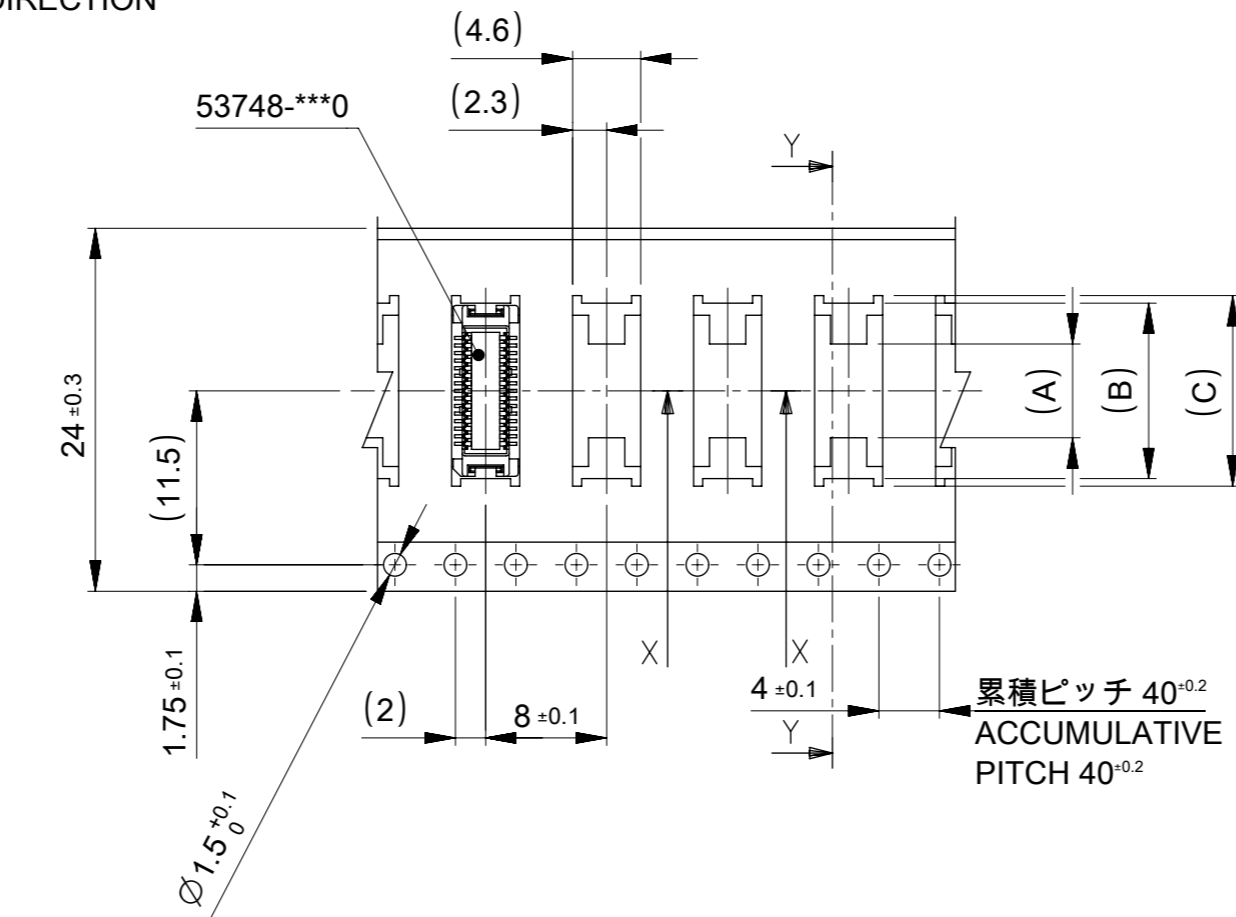
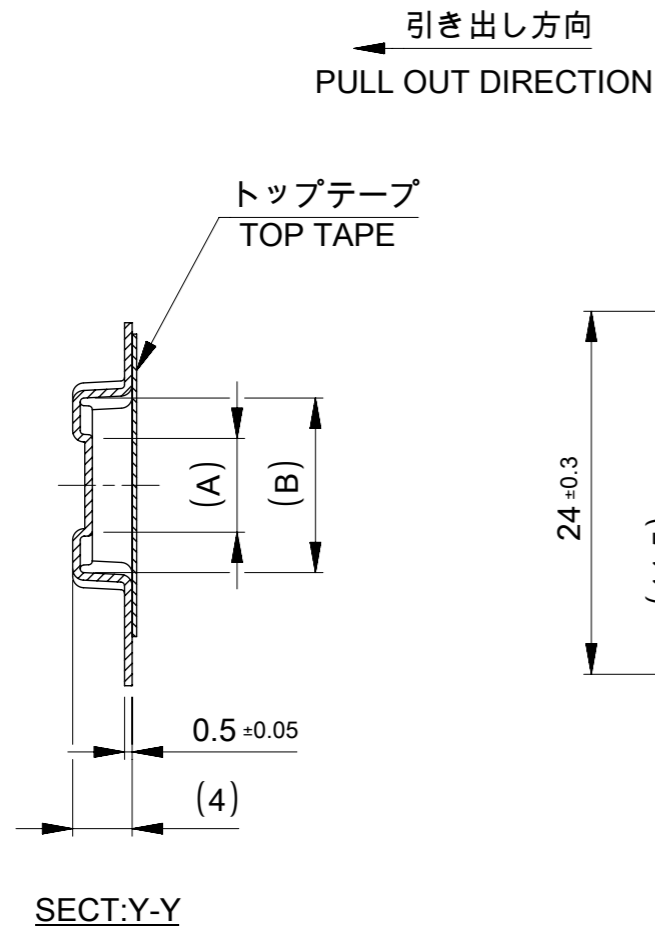
引き出し方向
PULL OUT DIRECTION



16mm 幅キャリアテープ
16mm WIDTH CARRIER TAPE

16	17.5	10.1	9.1	3.7	53748-0208	20
キャリアテープ幅 CARRIER TAPE WIDTH		D	(C)	(B)	(A)	MATERIAL NO. 極数 CKT.

THIS DRAWING CONTAINS INFORMATION THAT IS PROPRIETARY TO MOLEX ELECTRONIC TECHNOLOGIES, LLC AND SHOULD NOT BE USED WITHOUT WRITTEN PERMISSION		CURRENT REV DESC:		molex			
DIMENSION UNITS	SCALE	EC NO: 739518					
mm	NTS	DRWN: TNAKAGAWA01		PRODUCT CUSTOMER DRAWING			
GENERAL TOLERANCES (UNLESS SPECIFIED)		CHK'D: SMARUYAMA		DOCUMENT NUMBER			
ANGULAR TOL ± 30°		APPR: YNAITO		SD-53748-005		DOC TYPE	DOC PART
4 PLACES ± 0.2		INITIAL REVISION:		2008/12/08		REVISION	
3 PLACES ± 0.25		DRWN: NAKAMURAA		2009/01/09		001	F
2 PLACES ± 0.3		APPR: NUKITA		MATERIAL NUMBER		GENERAL	
1 PLACE ±		THIRD ANGLE PROJECTION		CUSTOMER		SHEET NUMBER	
0 PLACES ±		DRAWING		SERIES		2 OF 5	
DRAFT WHERE APPLICABLE MUST REMAIN WITHIN DIMENSIONS		A3-SIZE		53748			

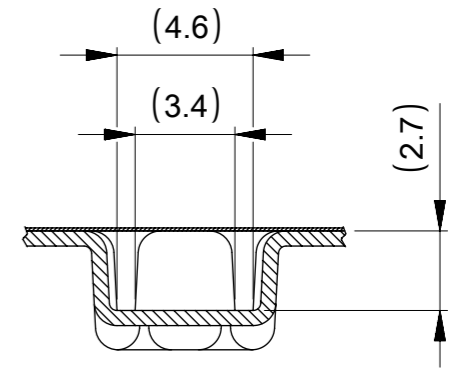
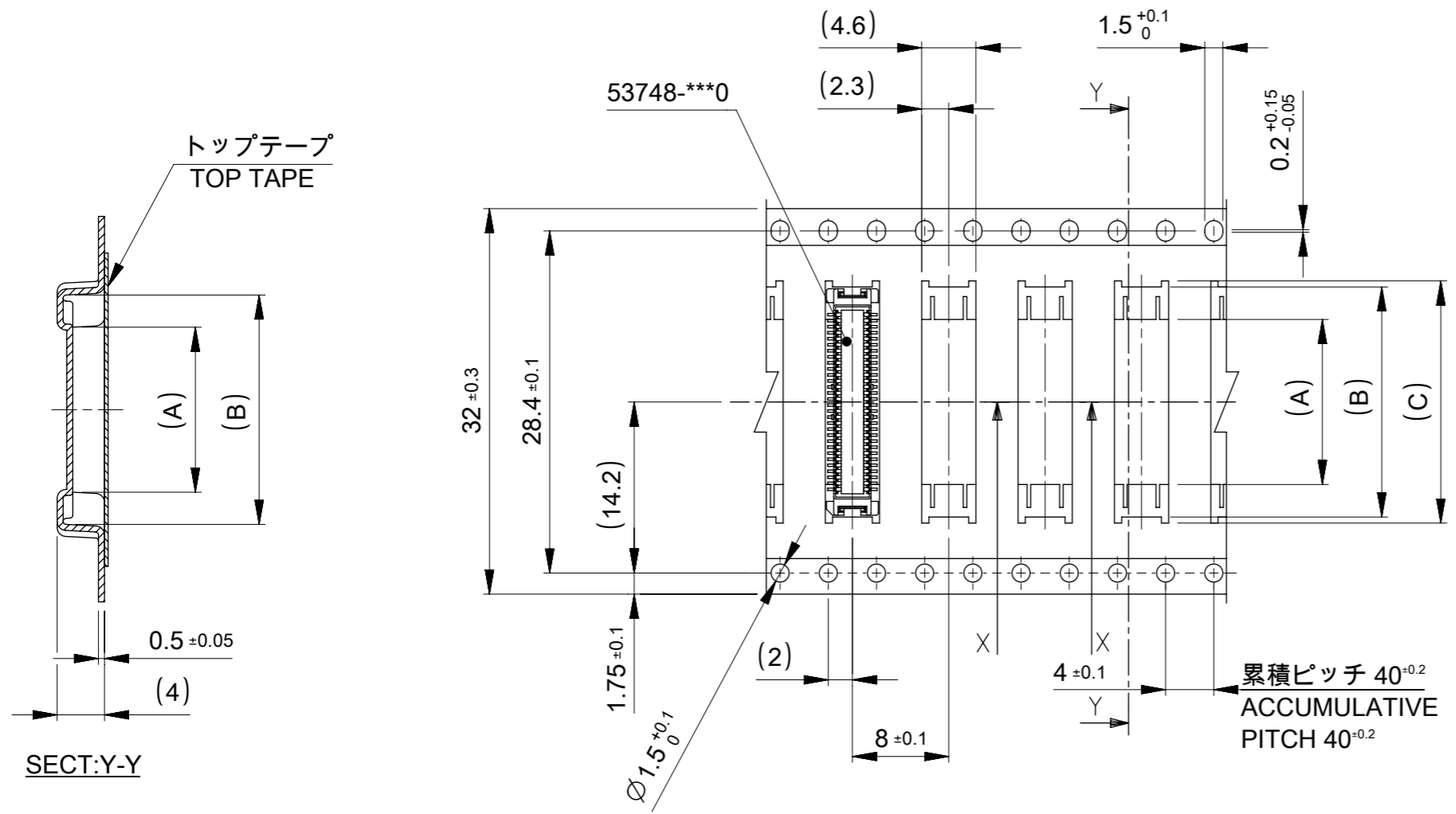


24mm 幅キャリアテープ
24mm WIDTH CARRIER TAPE

24	25.5	15.1	14.1	7.4	53748-0408	40
		12.6	11.6	4.9	53748-0308	30
キャリアテープ幅 CARRIER TAPE WIDTH		D	(C)	(B)	(A)	MATERIAL NO. 極数 CKT.

THIS DRAWING CONTAINS INFORMATION THAT IS PROPRIETARY TO MOLEX ELECTRONIC TECHNOLOGIES, LLC AND SHOULD NOT BE USED WITHOUT WRITTEN PERMISSION		CURRENT REV DESC:		molex	
DIMENSION UNITS	SCALE	EC NO: 739518			
mm	NTS	DRWN: TNAKAGAWA01		0.5 MM PITCH B-TO-B CONN. HEIGHT = 3 PLUG EMBOSS TAPE PACKAGE	
GENERAL TOLERANCES (UNLESS SPECIFIED)		CHK'D: SMARUYAMA		PRODUCT CUSTOMER DRAWING	
ANGULAR TOL ± 30°		APPR: YNAITO		DOCUMENT NUMBER	
4 PLACES ± 0.2		INITIAL REVISION:		SD-53748-005	
3 PLACES ± 0.25		DRWN: NAKAMURAA		PSD 001 F	
2 PLACES ± 0.3		APPR: NUKITA		MATERIAL NUMBER	
1 PLACE ±		SERIES		CUSTOMER	
0 PLACES ±		A3-SIZE		GENERAL	
DRAFT WHERE APPLICABLE MUST REMAIN WITHIN DIMENSIONS		THIRD ANGLE PROJECTION		SHEET NUMBER	
DRAFT WHERE APPLICABLE MUST REMAIN WITHIN DIMENSIONS		DRAWING		3 OF 5	

引き出し方向
PULL OUT DIRECTION



SECT:X-X
(SCALE:4-1)

SECT:Y-Y

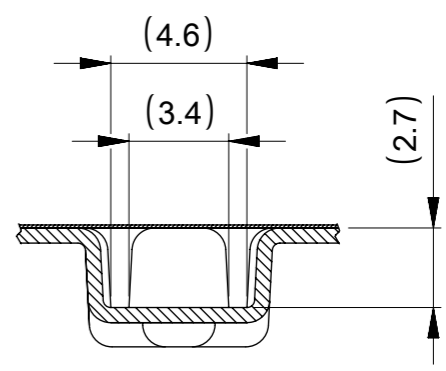
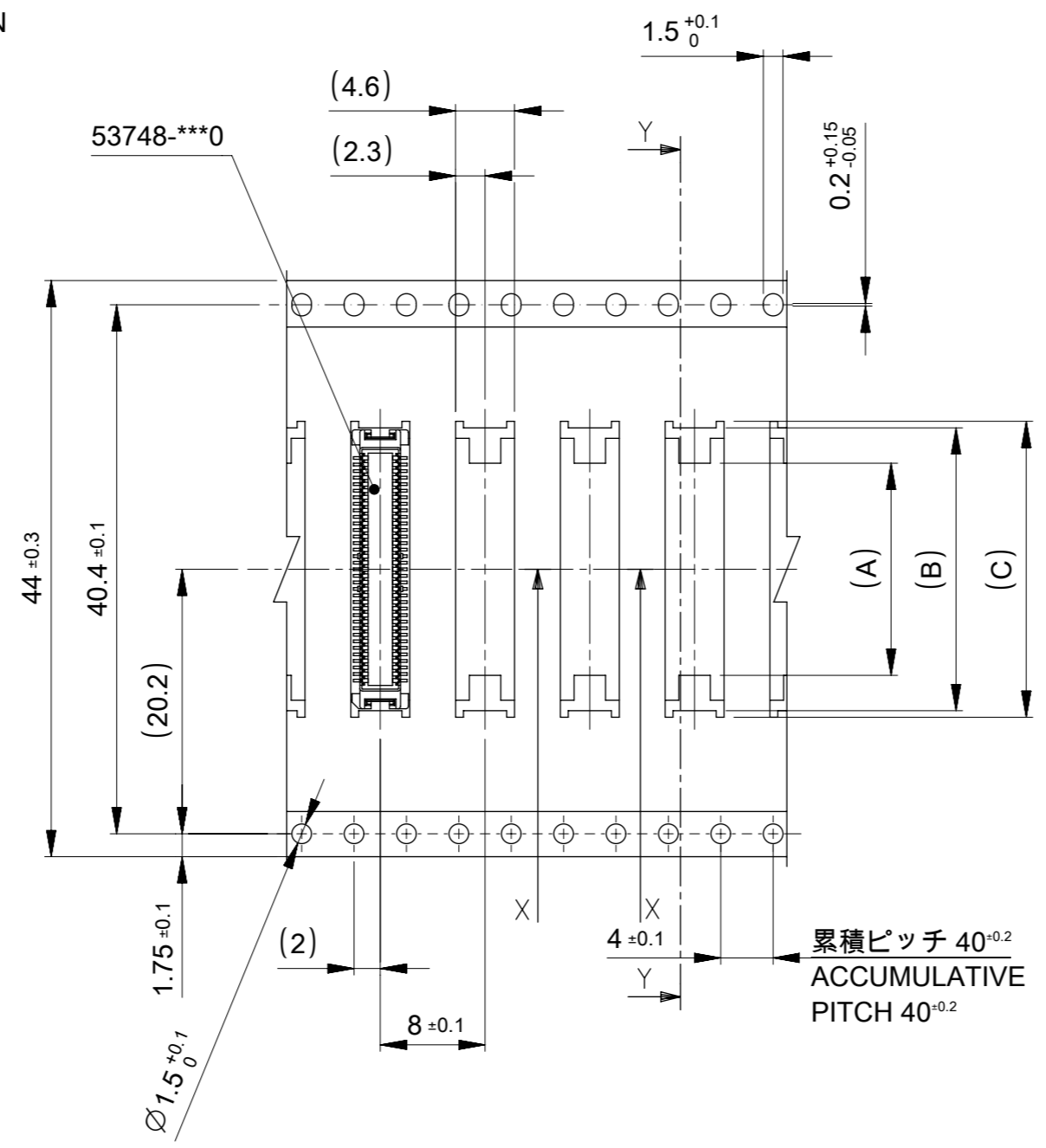
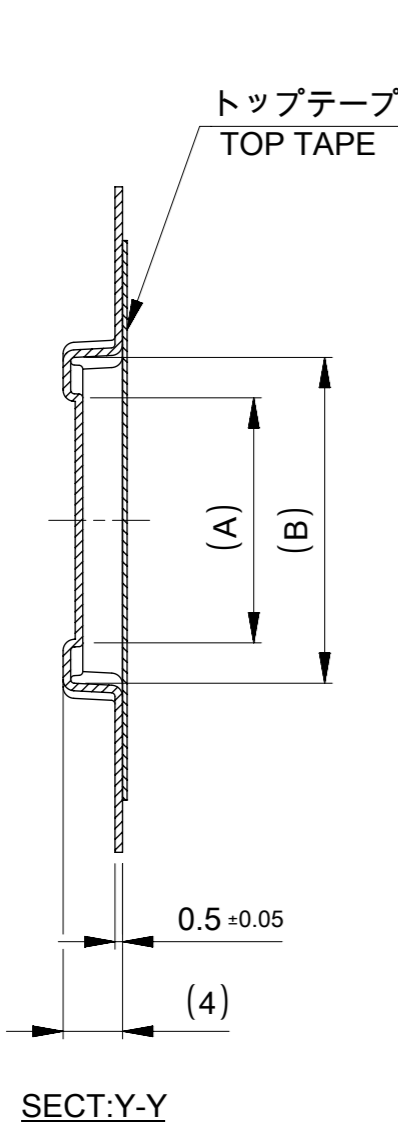
32mm 幅キャリアテープ
32mm WIDTH CARRIER TAPE

32	33.5	20.1	19.1	13.7	53748-0608	60
		17.6	16.6	11.2	53748-0508	50
キャリアテープ幅 CARRIER TAPE WIDTH	D	(C)	(B)	(A)	MATERIAL NO.	極数 CKT.

THIS DRAWING CONTAINS INFORMATION THAT IS PROPRIETARY TO MOLEX ELECTRONIC TECHNOLOGIES, LLC AND SHOULD NOT BE USED WITHOUT WRITTEN PERMISSION

DIMENSION UNITS	SCALE	CURRENT REV DESC:	
mm	NTS		
GENERAL TOLERANCES (UNLESS SPECIFIED)		molex	
ANGULAR TOL ± 30°		0.5 MM PITCH B-TO-B CONN. HEIGHT = 3 PLUG EMBOSS TAPE PACKAGE	
4 PLACES ± 0.2		EC NO: 739518	
3 PLACES ± 0.25		DRWN: TNAKAGAWA01 2023/02/21	
2 PLACES ± 0.3		CHK'D: SMARUYAMA 2023/06/02	
1 PLACE ±		APPR: YNAITO 2023/06/02	
0 PLACES ±		INITIAL REVISION:	
DRAFT WHERE APPLICABLE MUST REMAIN WITHIN DIMENSIONS		DRWN: NAKAMURAA 2008/12/08	
		APPR: NUKITA 2009/01/09	
THIRD ANGLE PROJECTION		DRAWING	SERIES
DRAFT WHERE APPLICABLE MUST REMAIN WITHIN DIMENSIONS		A3-SIZE	53748
		MATERIAL NUMBER	CUSTOMER
		SEE TABLE	GENERAL
		DOCUMENT NUMBER	DOC TYPE DOC PART REVISION
		SD-53748-005	PSD 001 F
		SHEET NUMBER	
		4 OF 5	

引き出し方向
PULL OUT DIRECTION



44mm 幅キャリアテープ
44mm WIDTH CARRIER TAPE

累積ピッチ 40^{-0.2}
ACCUMULATIVE
PITCH 40^{-0.2}

44	45.5	25.1	24.1	18.7	53748-0808	80
		22.6	21.6	16.2	53748-0708	70
キャリアテープ幅 CARRIER TAPE WIDTH		D	(C)	(B)	(A)	MATERIAL NO. 極数 CKT.

THIS DRAWING CONTAINS INFORMATION THAT IS PROPRIETARY TO MOLEX ELECTRONIC TECHNOLOGIES, LLC AND SHOULD NOT BE USED WITHOUT WRITTEN PERMISSION

DIMENSION UNITS	SCALE	CURRENT REV DESC:			
mm	NTS	<p>molex</p> <p>0.5 MM PITCH B-TO-B CONN. HEIGHT = 3 PLUG EMBOSS TAPE PACKAGE</p> <p>PRODUCT CUSTOMER DRAWING</p>			
GENERAL TOLERANCES (UNLESS SPECIFIED)					
ANGULAR TOL ± 30°					
DRAFT WHERE APPLICABLE MUST REMAIN WITHIN DIMENSIONS					
GENERAL TOLERANCES (UNLESS SPECIFIED)		EC NO: 739518	2023/02/21		
4 PLACES ± 0.2		DRWN: TNAKAGAWA01	2023/06/02		
10 ^{UNDER} ± 0.2		CHK'D: SMARUYAMA	2023/06/02		
10 ^{OVER} 30 ^{UNDER} ± 0.25		APPR: YNAITO	2023/06/02		
30 ^{OVER} ± 0.3		INITIAL REVISION:		DOCUMENT NUMBER	
ANGULAR ± 3°		DRWN: NAKAMURAA		SD-53748-005	
DRAFT WHERE APPLICABLE MUST REMAIN WITHIN DIMENSIONS		APPR: NUKITA		DOC TYPE	DOC PART
		THIRD ANGLE PROJECTION		PSD	001
		DRAWING		REVISION	F
		SERIES		SHEET NUMBER	
		A3-SIZE		5 OF 5	
		53748			
		MATERIAL NUMBER		CUSTOMER	
		SEE TABLE		GENERAL	