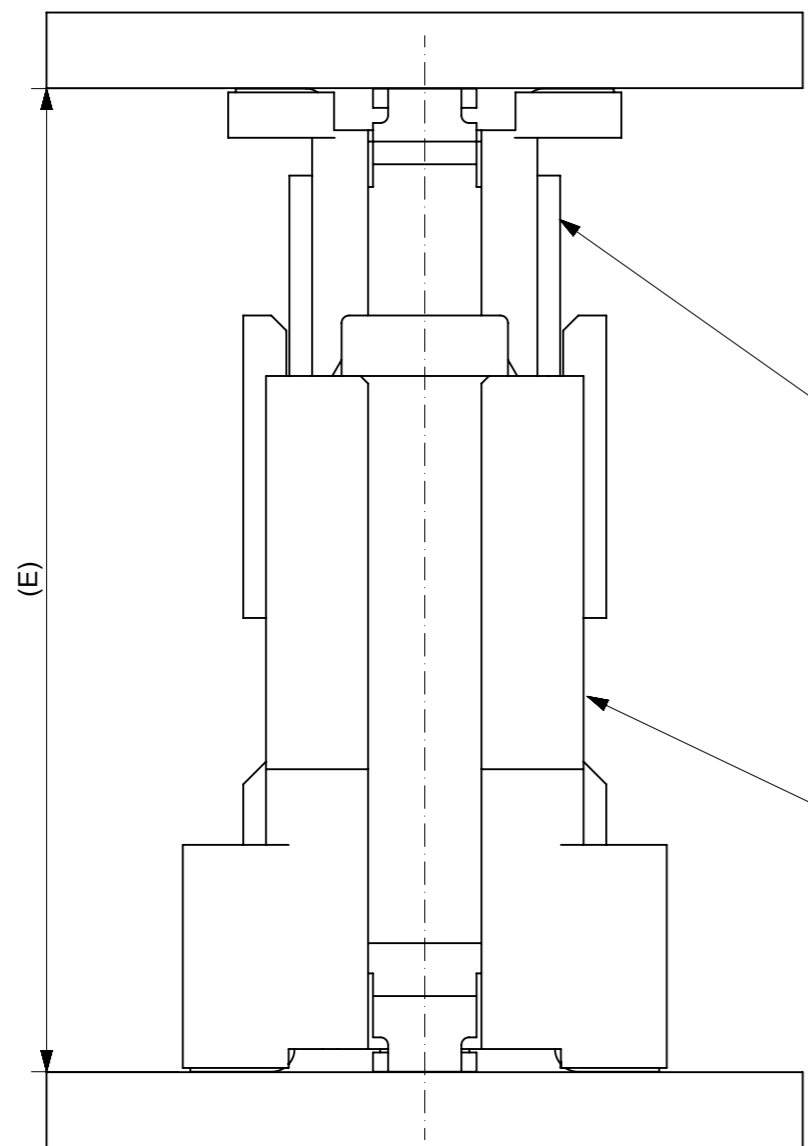


- 注) NOTES
- 材質 MATERIAL  
 ハウジング: ガラス入りLCP、白色、UL94V-0  
 HOUSING: G.F.LCP, WHITE, UL94V-0  
 ターミナル: 銅合金 (t=0.2)  
 TERMINAL: COPPER ALLOY  
 吸着カバー: ステンレス (t=0.2)  
 VACUUM COVER: STAINLESS STEEL  
 補強金具: 銅合金 (t=0.25)  
 FITTING NAIL: COPPER ALLOY
  - メッキ仕様 PLATING  
 ターミナル接点部: 金メッキ 0.25 μmMIN.  
 TERMINAL: CONTACT AREA: GOLD 0.25 μmMIN.  
 半田付け部: 錫メッキ 1 μmMIN.  
 SOLDER TAIL AREA: TIN 1 μmMIN.  
 下地メッキ: ニッケルメッキ 2 μmMIN.  
 UNDER-PLATING: NICKEL 2 μmMIN.  
 補助金具: 錫メッキ 1.0マイクロメートル以上  
 FITTING NAIL: OVER PLATING TIN 1.0 MICROMETER MINIMUM  
 下地メッキ ニッケルメッキ 1.0マイクロメートル以上  
 UNDER PLATING NICKEL 1.0 MICROMETER MINIMUM
  - テールのバラツキ寸法 TAIL COPLANARITY  
 テール平坦度は、0.1 MAX.とする。  
 TAILS COPLANARITY TO BE 0.1MAX.
  - エンボス対応済みの極数については、SD-52901-009を参照下さい。  
 FOR THE EMBOSSED PACKAGE PRODUCTS, SEE SD-52901-009.
  - 本製品は 52901-\*\*\*2 の鉛フリー品である。  
 THIS PRODUCT IS LEAD FREE OF 52901-\*\*\*2.

|                      |       |       |        |       |                              |                            |           |
|----------------------|-------|-------|--------|-------|------------------------------|----------------------------|-----------|
| 無し<br>WITHOUT        | 67.77 | 66.17 | 62.865 | 71.37 | 52901-2074                   | -                          | 200       |
|                      | 61.42 | 59.82 | 56.515 | 65.02 | 52901-1874                   | -                          | 180       |
|                      | 55.07 | 53.47 | 50.165 | 58.67 | 52901-1674                   | -                          | 160       |
|                      | 48.72 | 47.12 | 43.815 | 52.32 | 52901-1474                   | -                          | 140       |
|                      | 42.37 | 40.77 | 37.465 | 45.97 | 52901-1274                   | -                          | 120       |
|                      | 36.02 | 34.42 | 31.115 | 39.62 | 52901-1074                   | 52901-1075                 | 100       |
|                      | 32.85 | 31.25 | 27.94  | 36.45 | 52901-0974                   | 52901-0975                 | 90        |
| 有り<br>WITH           | 29.67 | 28.07 | 24.765 | 33.27 | 52901-0874                   | 52901-0875                 | 80        |
|                      | 26.5  | 24.90 | 21.59  | 30.1  | 52901-0774                   | 52901-0775                 | 70        |
|                      | 23.32 | 21.72 | 18.415 | 26.92 | 52901-0674                   | 52901-0675                 | 60        |
|                      | 20.15 | 18.55 | 15.24  | 23.75 | 52901-0574                   | -                          | 50        |
|                      | 16.97 | 15.37 | 12.065 | 20.57 | 52901-0474                   | 52901-0475                 | 40        |
|                      | 13.8  | 12.2  | 8.89   | 17.4  | 52901-0374                   | 52901-0375                 | 30        |
|                      | 10.62 | 9.02  | 5.715  | 14.22 | 52901-0274                   | 52901-0275                 | 20        |
| ハウジングロック<br>HSG LOCK | D     | C     | B      | A     | エンボス梱包<br>EMBOSSED PACKAGING | スティック梱包<br>STICK PACKAGING | 極数<br>CKT |
| オーダー番号<br>ORDER NO.  |       |       |        |       |                              |                            |           |

|  |        |   |                |
|--|--------|---|----------------|
| GENERAL TOLERANCES (UNLESS SPECIFIED)                |        | THIS DRAWING CONTAINS INFORMATION THAT IS PROPRIETARY TO MOLEX ELECTRONIC TECHNOLOGIES, LLC AND SHOULD NOT BE USED WITHOUT WRITTEN PERMISSION |                |
| 10 UNDER   | ± 0.2  | DIMENSION UNITS   | SCALE          |
| 10 OVER 30 UNDER                                     | ± 0.25 | mm  | -              |
| 30 OVER  | ± 0.3  | CURRENT REV DESC:   |                |
| ANGULAR  | ± 3 °  | EC NO: 602629   |                |
| DRAFT WHERE APPLICABLE MUST REMAIN WITHIN DIMENSIONS |        | DRWN: RMIYAMOTO 2018/08/16  |                |
|  |        | CHK'D: KSASAKI 2018/08/17   |                |
|  |        | APPR: TKUSUHARA01 2018/08/17  |                |
|  |        | INITIAL REVISION:   |                |
|  |        | DRWN: MNINOMIYA 2004/03/23  |                |
|  |        | APPR: MSASAO 2004/03/23   |                |
|  |        | THIRD ANGLE PROJECTION  | DRAWING        |
|  |        | ⊕   | A3-SIZE        |
|  |        | SERIES  | 52901          |
|  |        | MATERIAL NUMBER   | SEE CHART      |
|  |        | CUSTOMER  | GENERAL MARKET |
|  |        | DOCUMENT NUMBER   | SD-52901-008   |
|  |        | DOC TYPE  | PSD            |
|  |        | DOC PART  | 001            |
|  |        | REVISION  | F              |
|  |        | SHEET NUMBER  | 1 OF 2         |



55091 series  
53625 series  
53647 series  
53649 series  
53627 series  
Plug

52885 series  
52901 series  
Receptacle

| 嵌合高さ一覧<br>Stacking Height variation |                           |                      |              |
|-------------------------------------|---------------------------|----------------------|--------------|
|                                     | 6                         | 52885 series         | 55091 series |
|                                     | 7                         |                      | 53625 series |
|                                     | 8                         |                      | 53647 series |
|                                     | 9                         |                      | 53649 series |
|                                     | 10                        |                      | 53627 series |
| ○                                   | 12                        | 52901 series         | 55091 series |
| ○                                   | 13                        |                      | 53625 series |
| ○                                   | 14                        |                      | 53647 series |
| ○                                   | 15                        |                      | 53649 series |
| ○                                   | 16                        |                      | 53627 series |
| 本図製品該当高さ<br>Height Application      | 嵌合高さ E<br>Stacking Height | リセプタクル<br>Receptacle | プラグ<br>Plug  |

| GENERAL TOLERANCES (UNLESS SPECIFIED)                |        | THIS DRAWING CONTAINS INFORMATION THAT IS PROPRIETARY TO MOLEX ELECTRONIC TECHNOLOGIES, LLC AND SHOULD NOT BE USED WITHOUT WRITTEN PERMISSION |       |
|--|--------|---|-------|
| 10 UNDER   | ± 0.2  | DIMENSION UNITS   | SCALE |
| 10 OVER 30 UNDER                                     | ± 0.25 | mm  | -     |
| 30 OVER  | ± 0.3  | CURRENT REV DESC:   |       |
| ANGULAR  | ± 3 °  | EC NO: 602629   |       |
| DRAFT WHERE APPLICABLE MUST REMAIN WITHIN DIMENSIONS |        | DRWN: RMIYAMOTO 2018/08/16  |       |
|  |        | CHK'D: KSASAKI 2018/08/17   |       |
|  |        | APPR: TKUSUHARA01 2018/08/17  |       |
|  |        | INITIAL REVISION:   |       |
|  |        | DRWN: MNINOMIYA 2004/03/23  |       |
|  |        | APPR: MSASAO 2004/03/23   |       |
|  |        | THIRD ANGLE PROJECTION  |       |
|  |        | DRAWING   |       |
|  |        | SERIES  |       |
|  |        | MATERIAL NUMBER   |       |
|  |        | CUSTOMER  |       |
|  |        | SHEET NUMBER  |       |
|  |        | A3-SIZE   |       |
|  |        | 52901   |       |
|  |        | SEE CHART   |       |
|  |        | GENERAL MARKET  |       |
|  |        | 2 OF 2  |       |

**molex**

0.635 PITCH B-TO-B CONN.  
REC. HS'G COVER ASS'Y -LEAD FREE-

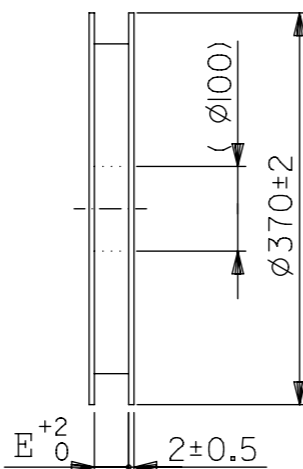
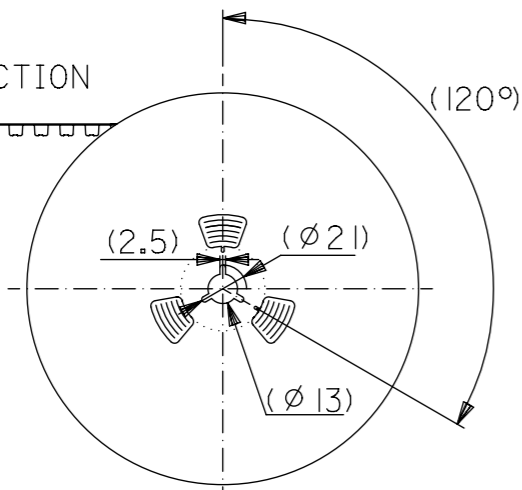
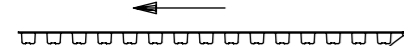
PRODUCT CUSTOMER DRAWING

DOCUMENT NUMBER: SD-52901-008  
DOC TYPE: PSD  
DOC PART: 001  
REVISION: F

CUSTOMER: GENERAL MARKET

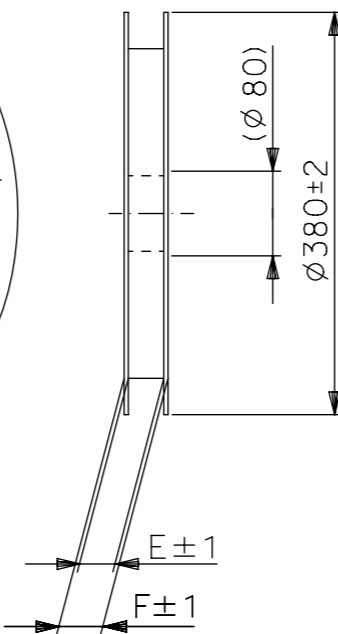
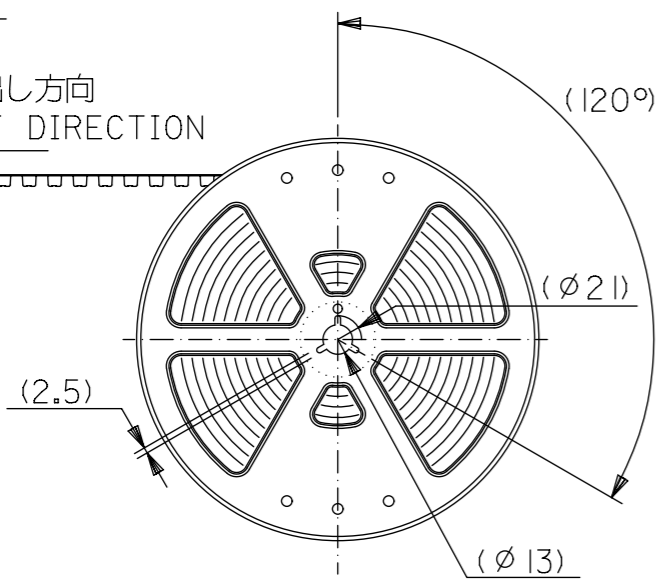
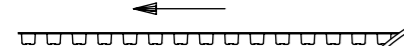
20 ~ 140CKT

引き出し方向  
PULL OUT DIRECTION



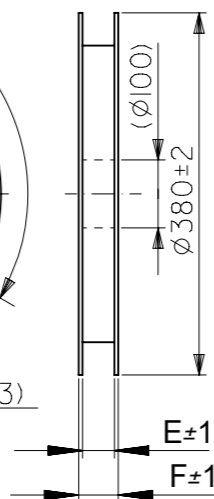
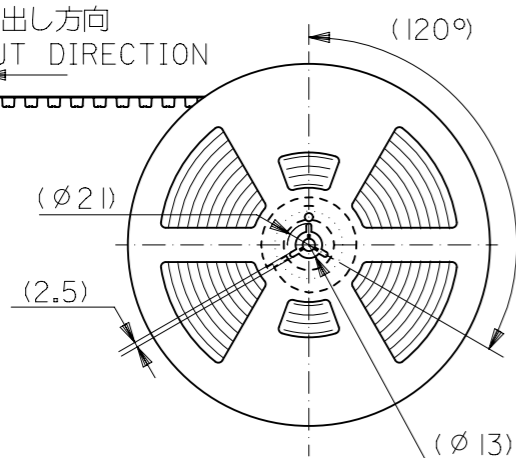
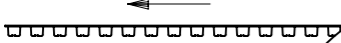
160CKT

引き出し方向  
PULL OUT DIRECTION



180 ~ 200CKT

引き出し方向  
PULL OUT DIRECTION

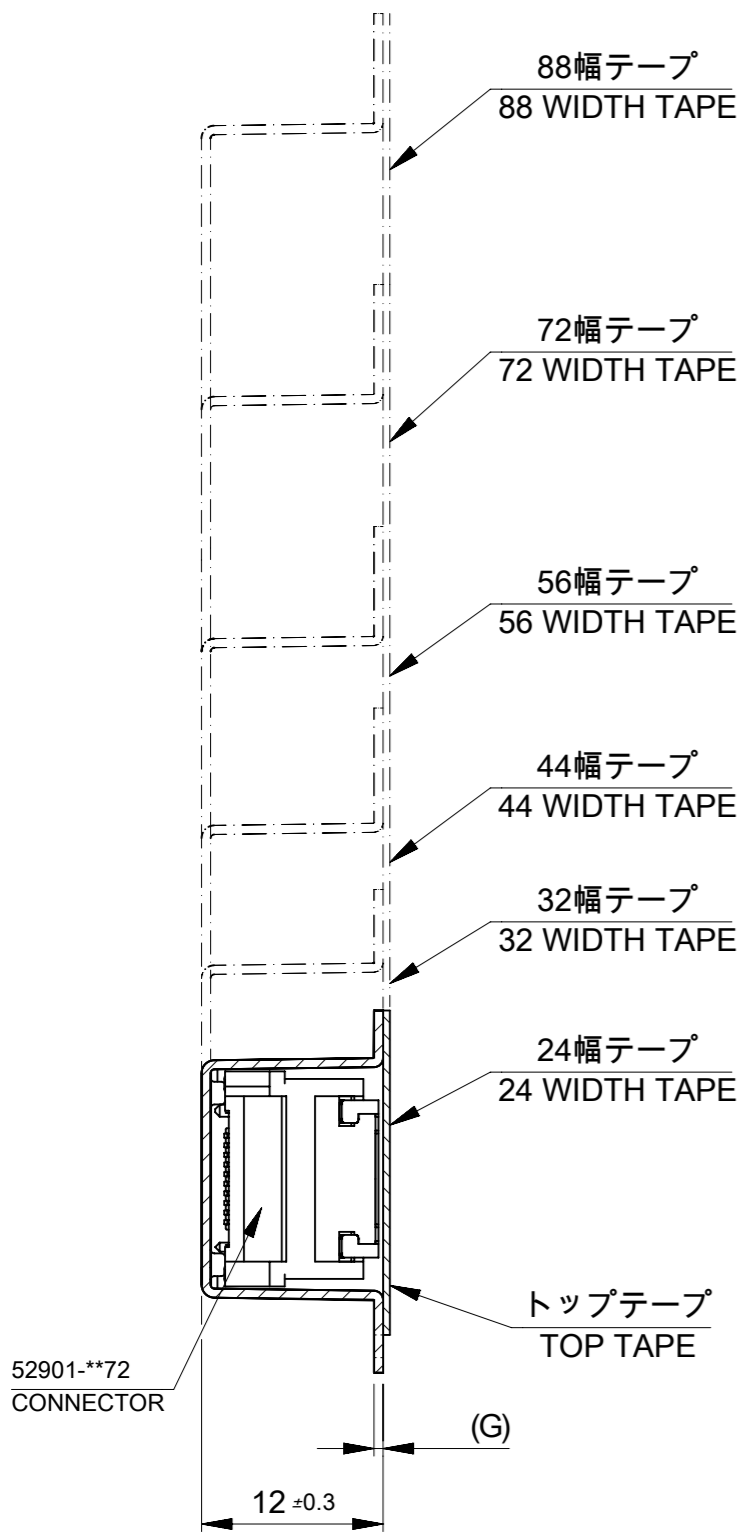
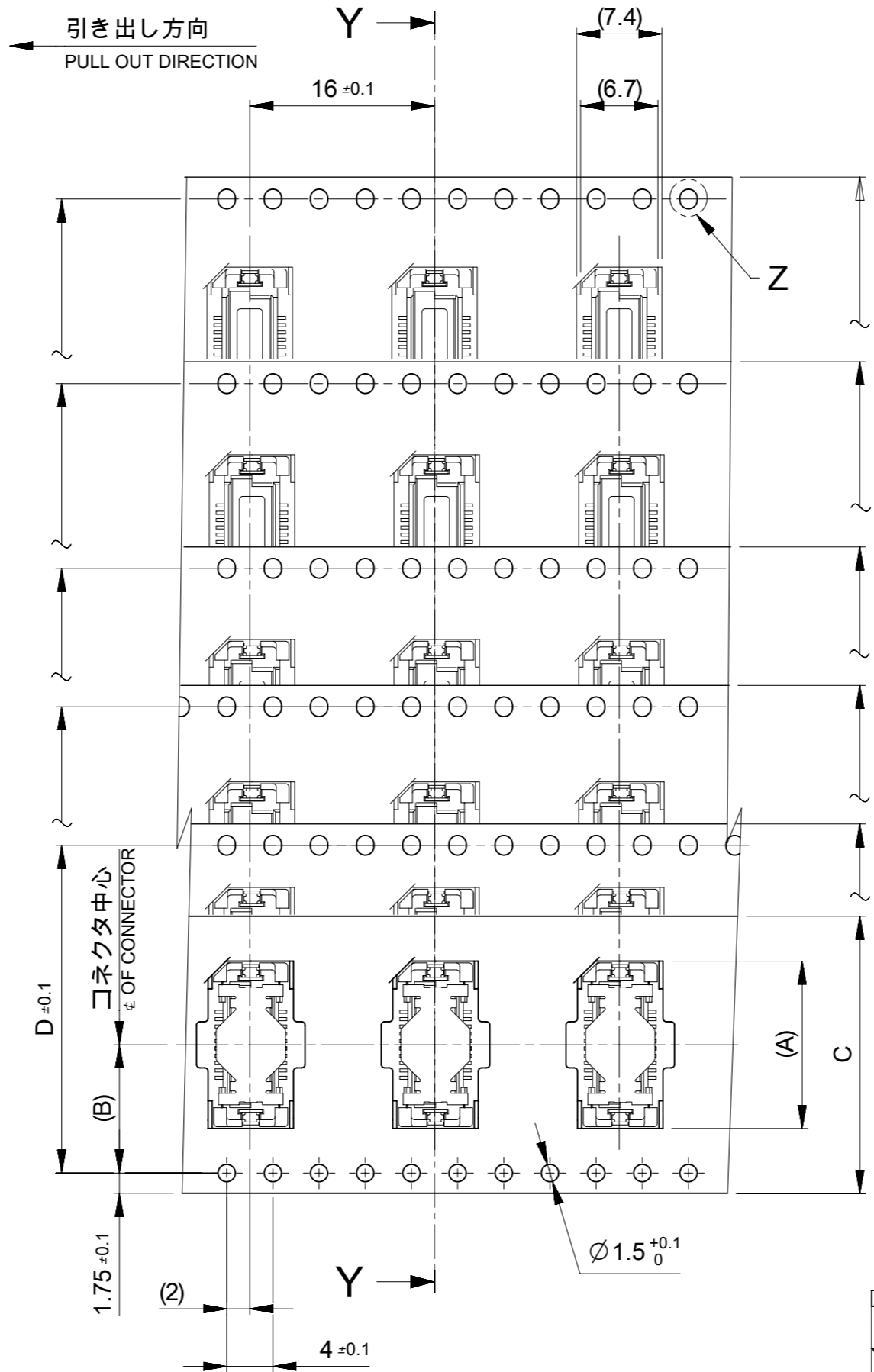


注)

NOTES

- 製品番号 52901-\*\*\*72 の詳細寸法については、SD-52901-008 を参照下さい。  
IN THE PACKAGE ,PART NO.52901-\*\*\*72 DETAILED DIMENSIONS ,SEE SD-52901-008
- 梱包数量 : 440 個/リール  
NUMBER OF CONNECTORS : 440 PCS/REEL
- リードテープ長さ  
LEAD TAPE LENGTH
- 材料  
MATERIAL  
 キャリアテープ : ポリプロピレン (20 ~ 160CKT)  
 ポリスチレン (180P , 200CKT)  
 CARRIER TAPE : POLYPROPYLENE (20 ~ 160CKT)  
 POLYSTYRRNE (180P , 200CKT)  
 トップテープ : PET, PE, PEF  
 TOP TAPE : PET , PE , PEF  
 リール : 紙 (20 ~ 140CKT)  
 ポリスチレン (160 ~ 200CKT)  
 REEL : CARD BOARD (20 ~ 140CKT)  
 POLYSTYRRNE (160 ~ 200CKT)
- 本製品は 52901-\*\*\*4 の鉛フリー品である。  
THIS PRODUCT IS LEAD FREE OF 52901-\*\*\*4.

|   |       |                              |         |                          |                |   |
|---|-------|------------------------------|---------|--------------------------|----------------|---|
| THIS DRAWING CONTAINS INFORMATION THAT IS PROPRIETARY TO MOLEX ELECTRONIC TECHNOLOGIES, LLC AND SHOULD NOT BE USED WITHOUT WRITTEN PERMISSION |       | CURRENT REV DESC:            |         | <b>molex</b>             |                |   |
| DIMENSION UNITS   | SCALE | EC NO: 649488                |         |                          |                | EMBOSSED TAPE PACKAGE<br>FOR 0.635MM PITCH B-TO-B CONN. REC-LEAD<br>FREE- |
| mm  | 4:1   | DRWN: JFURUKAWA 2020/11/16   |         | PRODUCT CUSTOMER DRAWING |                |   |
| GENERAL TOLERANCES<br>(UNLESS SPECIFIED)  |       | CHK'D: HSHIMOMIYA 2020/11/19 |         | DOCUMENT NUMBER          |                |   |
| ANGULAR TOL   | ± °   | APPR: SHOSHIKAWA 2020/11/19  |         | SD-52901-009             |                |   |
| 4 PLACES  | ±     | INITIAL REVISION:            |         | DOC TYPE                 |                |   |
| 3 PLACES  | ±     | DRWN: MNINOMIYA 2004/03/23   |         | PSD                      |                |   |
| 2 PLACES  | ±     | APPR: MSASAO 2004/03/23      |         | 001                      |                |   |
| 1 PLACE   | ±     | SERIES                       |         | D                        |                |   |
| 0 PLACES  | ±     | 52901                        |         | REVISION                 |                |   |
| DRAFT WHERE APPLICABLE<br>MUST REMAIN<br>WITHIN DIMENSIONS  |       | THIRD ANGLE PROJECTION       | DRAWING | MATERIAL NUMBER          | CUSTOMER       | SHEET NUMBER  |
|   |       |                              | A3-SIZE | SEE CHART                | GENERAL MARKET | 1 OF 2  |



|             |                         |     |    |      |      |                                     |      |      |                     |           |
|-------------|-------------------------|-----|----|------|------|-------------------------------------|------|------|---------------------|-----------|
| PS          | PS                      | 0.5 | 94 | 90   | 84.4 | 88±0.3                              | 42.2 | 71.7 | 52901-2074          | 200       |
|             |                         |     |    |      |      |                                     |      | 65.4 | 52901-1874          | 180       |
|             |                         |     | 78 | 74   |      |                                     |      | 59.0 | 52901-1674          | 160       |
|             |                         |     |    | 72.4 | 68.4 | 72±0.3                              | 34.2 | 52.6 | 52901-1474          | 140       |
|             |                         |     |    |      |      |                                     |      | 46.3 | 52901-1274          | 120       |
|             |                         |     |    | 56.4 | 52.4 | 56±0.3                              | 26.2 | 39.9 | 52901-1074          | 100       |
|             |                         |     |    |      |      |                                     |      | 36.8 | 52901-0974          | 90        |
|             |                         |     |    |      |      |                                     |      | 33.6 | 52901-0874          | 80        |
|             |                         |     |    | 44.4 | 40.4 | 44±0.3                              | 20.2 | 30.4 | 52901-0774          | 70        |
|             |                         |     |    |      |      |                                     |      | 27.2 | 52901-0674          | 60        |
|             |                         |     |    |      |      |                                     |      | 24.1 | 52901-0574          | 50        |
|             |                         |     |    | 32.4 | 28.4 | 32±0.3                              | 14.2 | 20.9 | 52901-0474          | 40        |
|             |                         |     |    |      |      |                                     |      | 17.7 | 52901-0374          | 30        |
|             |                         |     |    | 24.4 | -    | 24±0.3                              | 11.5 | 14.5 | 52901-0274          | 20        |
| リール<br>REEL | キャリアテープ<br>CARRIER TAPE | G   | F  | E    | D    | C<br>キャリアテープ幅<br>CARRIER TAPE WIDTH | B    | A    | オーダー番号<br>ORDER NO. | 極数<br>CKT |

THIS DRAWING CONTAINS INFORMATION THAT IS PROPRIETARY TO MOLEX ELECTRONIC TECHNOLOGIES, LLC AND SHOULD NOT BE USED WITHOUT WRITTEN PERMISSION

mm SCALE 2:1

GENERAL TOLERANCES (UNLESS SPECIFIED)

ANGULAR TOL ± °

4 PLACES ±

3 PLACES ±

2 PLACES ±

1 PLACE ±

0 PLACES ±

DRAFT WHERE APPLICABLE MUST REMAIN WITHIN DIMENSIONS

THIRD ANGLE PROJECTION

DRAWING A3-SIZE

SERIES 52901

MATERIAL NUMBER SEE CHART

CUSTOMER GENERAL MARKET

SHEET NUMBER 2 OF 2

CURRENT REV DESC:

EC NO: 649488

DRWN: JFURUKAWA 2020/11/16

CHK'D: HSHIMOMIYAMA 2020/11/19

APPR: SHOSHIKAWA 2020/11/19

INITIAL REVISION:

DRWN: MNINOMIYA 2004/03/23

APPR: MSASAO 2004/03/23

DOCUMENT NUMBER SD-52901-009

DOC TYPE PSD

DOC PART 001

REVISION D

**molex**

EMBOSSED TAPE PACKAGE  
FOR 0.635MM PITCH B-TO-B CONN. REC-LEAD  
FREE-

PRODUCT CUSTOMER DRAWING