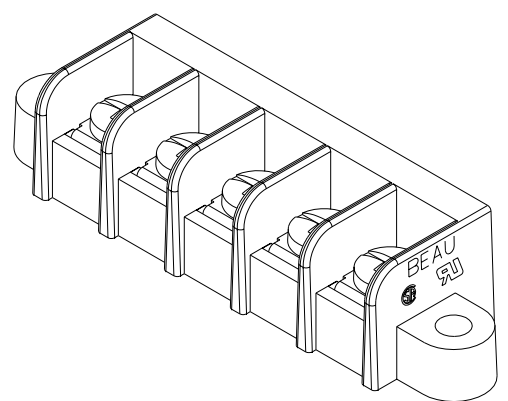
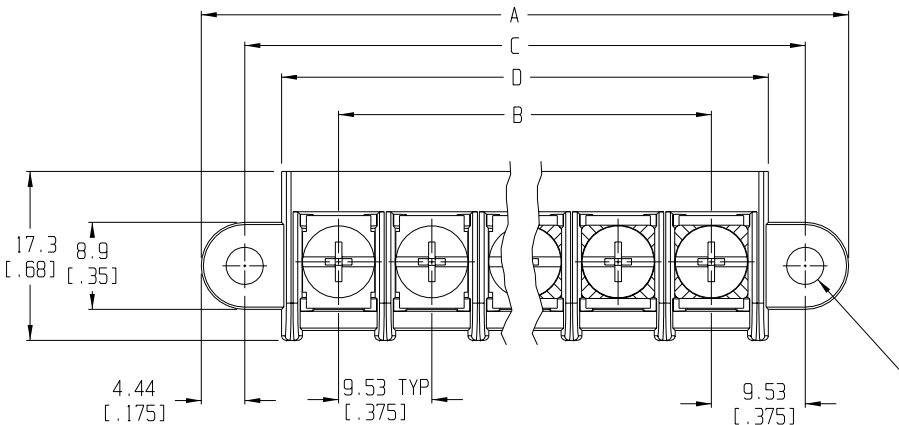
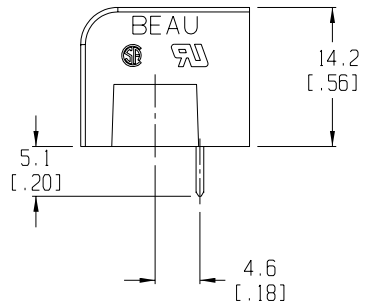
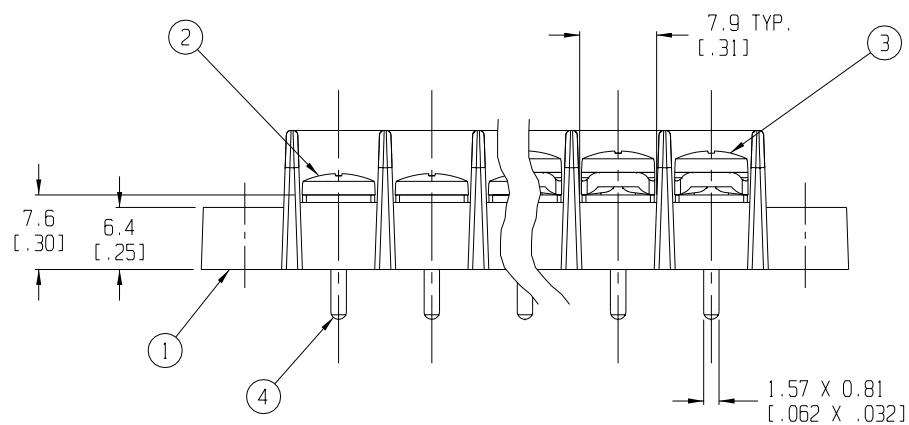


RECOMMENDED PTH PATTERN
SCALE 1:1



5 CIRCUIT SHOWN



NOTES:

1. MATERIAL: SEE TABLE
2. FINISHES: SEE TABLE
3. PRODUCT SPECIFICATION: UL & CSA, 12-24 AWG
4. PACKAGING: NOT REQUIRED
5. MATES WITH: NONE
6. "XX" REFERS TO QTY. OF CIRCUITS
7. LENGTH TABLE SHOWN ON SHEET 2
8. REFER TO SD-38120-001 (-10A THRU -10D AND -11A THRU -11D)
OR SD-38120-002 (-10AT THRU -10DT AND -11AT THRU -11DT)
FOR OPTIONAL IMPRINTING.

ITEM	QTY.	DESCRIPTION	MATERIAL	FINISH
4	XX	TERMINAL	BRASS	TIN PLATE
3	XX	SCREW & WASHER (-50 OPT)	STEEL	ZINC CHROMATE
2	XX	SCREW (STD.)	STEEL	ZINC CHROMATE
1	1	BARRIER TERMINAL STRIP	THERMOPLASTIC	BLACK

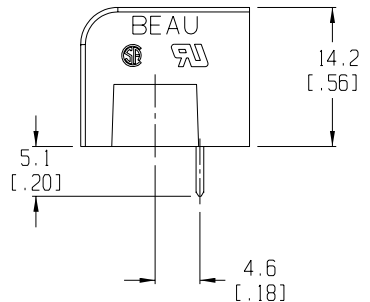
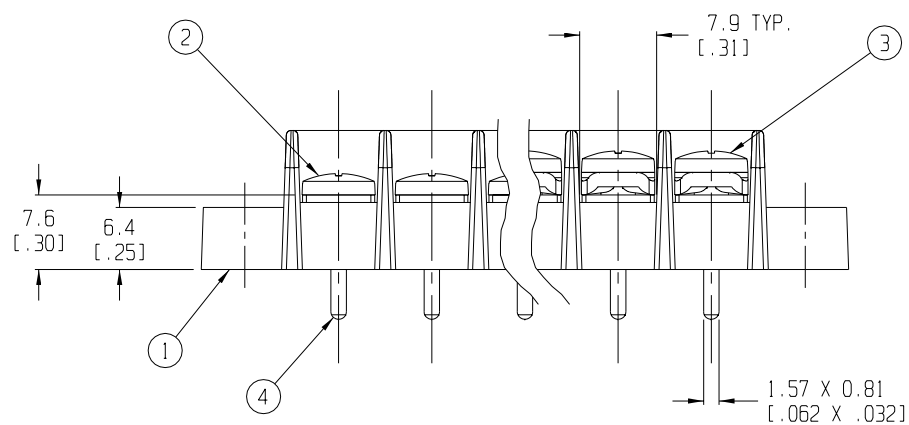
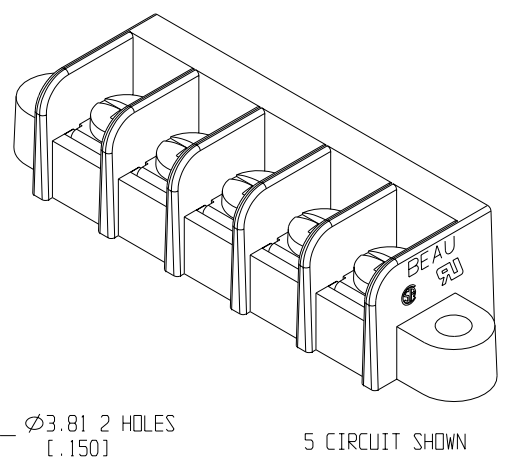
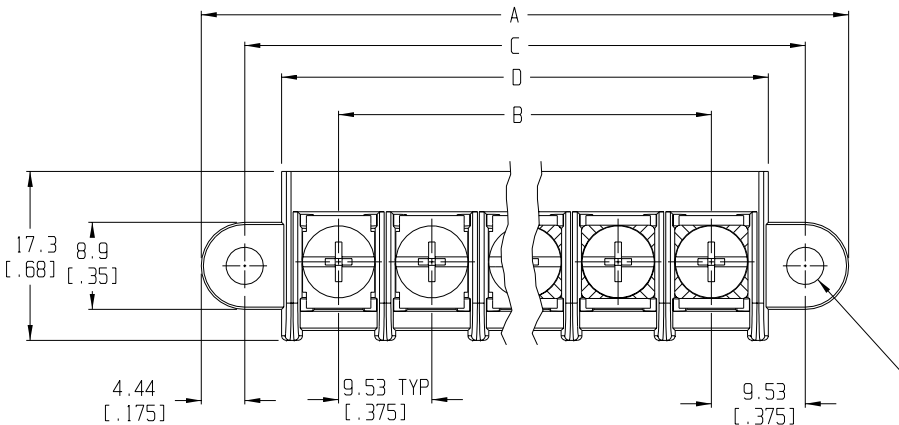
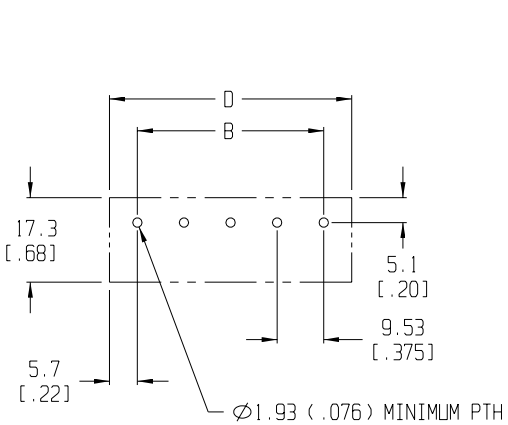
EC NO. RELEASED DRWN: CLY CHK: APPR: REV A	DESCRIPTION	QUALITY SYMBOLS
	MAJOR	▽
	CRITICAL	▽
	SPC	△

GENERAL TOLERANCES: (UNLESS SPECIFIED)	
mm	INCH
4 PLACES ±.038	±.0015
3 PLACES ±.13	±.005
2 PLACES ±.3	±.01
1 PLACE ±.3	
ANGULAR: ±2°	
DRAFT WHERE APPLICABLE MUST REMAIN WITHIN DIMENSIONS	

SCALE 2:1	DESIGN UNITS <input type="checkbox"/> mm <input checked="" type="checkbox"/> INCH
DRAWN BY & DATE C. YORK 7-29-03	
CHECKED BY & DATE	
APPROVED BY & DATE	
CAD FILENAME 755XX	

PROJECT NO. -	I	-
DIMENSIONS: <input checked="" type="checkbox"/> mm <input type="checkbox"/> INCH <input type="checkbox"/> mm ONLY	SHT	REV
THIRD ANGLE PROJECTION	REVISE ON CAD ONLY	
TITLE: SR BTS, PC TERMINAL		
MOLEX INCORPORATED		
MATERIAL NO. SEE SHEET 2	DRAWING NO. SD-38750-001	SHEET NO. 1 OF 2
THIS DRAWING CONTAINS INFORMATION THAT IS PROPRIETARY TO MOLEX INCORPORATED AND SHOULD NOT BE USED WITHOUT WRITTEN PERMISSION.		SIZE B

10	9	8	7	5	4	3	2	1
----	---	---	---	---	---	---	---	---



- NOTES:
1. MATERIAL: SEE TABLE
 2. FINISHES: SEE TABLE
 3. PRODUCT SPECIFICATION: UL & CSA, 12-24 AWG
 4. PACKAGING: NOT REQUIRED
 5. MATES WITH: NONE
 6. "XX" REFERS TO QTY. OF CIRCUITS
 7. LENGTH TABLE SHOWN ON SHEET 2
 8. REFER TO SD-38120-001 (-10A THRU -10D AND -11A THRU -11D) OR SD-38120-002 (-10AT THRU -10DT AND -11AT THRU -11DT) FOR OPTIONAL IMPRINTING.

ITEM	QTY.	DESCRIPTION	MATERIAL	FINISH
4	XX	TERMINAL	BRASS	TIN PLATE
3	XX	SCREW & WASHER (-50 OPT)	STEEL	ZINC CHROMATE
2	XX	SCREW (STD.)	STEEL	ZINC CHROMATE
1	1	BARRIER TERMINAL STRIP	THERMOPLASTIC	BLACK

EC NO. RELEASED DRWN: CLY CHK: APPR: REV A	QUALITY SYMBOLS	GENERAL TOLERANCES: (UNLESS SPECIFIED)	SCALE 2:1	DESIGN UNITS <input type="checkbox"/> mm <input checked="" type="checkbox"/> INCH	THIRD ANGLE PROJECTION	PROJECT NO. -	I -	
	MAJOR	4 PLACES ±.038 ±.005	DRAWN BY & DATE C. YORK 7-29-03	TITLE: SR BTS, PC TERMINAL	DIMENSIONS: <input checked="" type="checkbox"/> mm <input type="checkbox"/> INCH <input type="checkbox"/> mm ONLY	SHT	REV	
	CRITICAL	3 PLACES ±.13 ±.01	CHECKED BY & DATE	REVISIONS ON CAD ONLY				
	SPC	2 PLACES ±.3	APPROVED BY & DATE					
		1 PLACE ±.3	CAD FILENAME 755XX	MATERIAL NO. SEE SHEET 2	DRAWING NO. SD-38750-001	SHEET NO. 1 OF 2	SIZE B	
		ANGULAR: ±2°	THIS DRAWING CONTAINS INFORMATION THAT IS PROPRIETARY TO MOLEX INCORPORATED AND SHOULD NOT BE USED WITHOUT WRITTEN PERMISSION.					

10	9	8	7	5	4	3	2	1
----	---	---	---	---	---	---	---	---