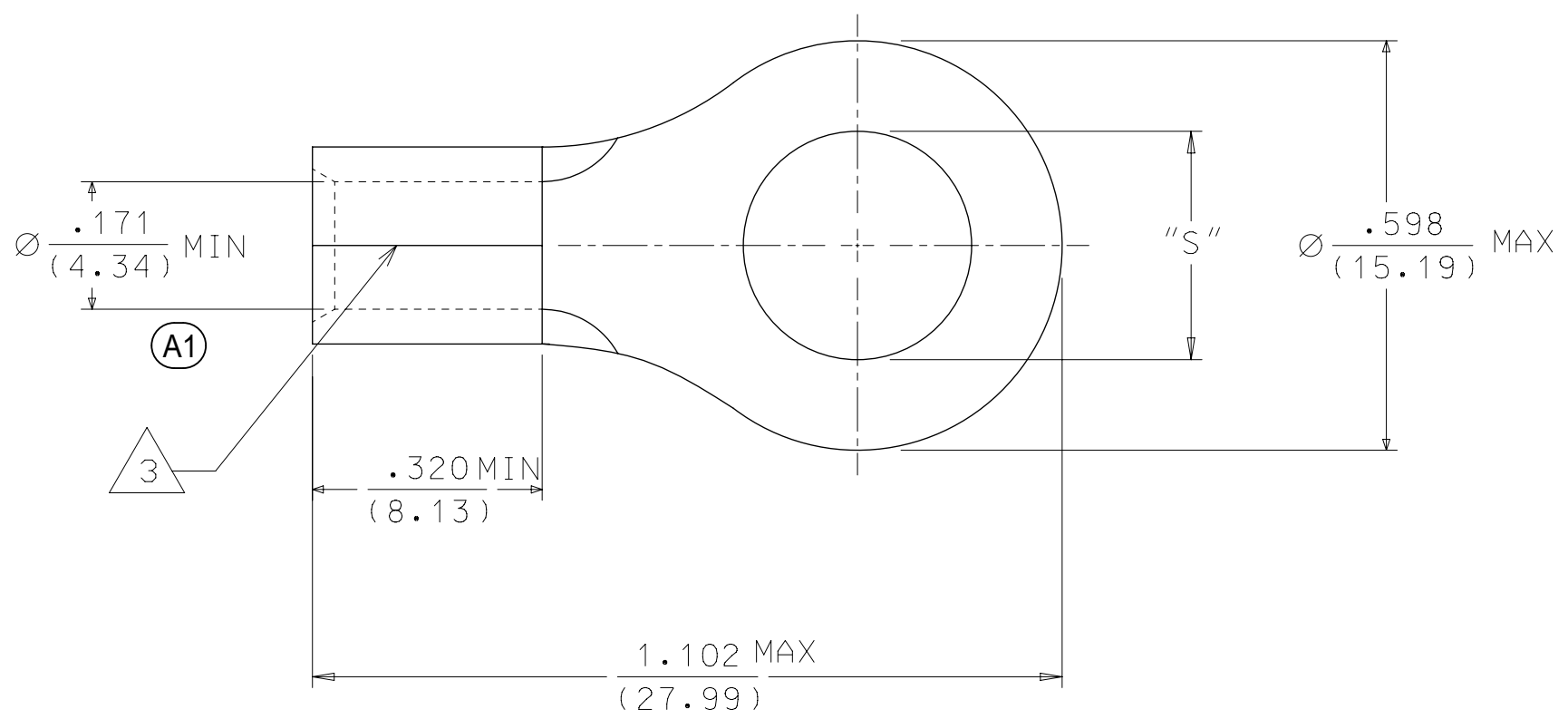
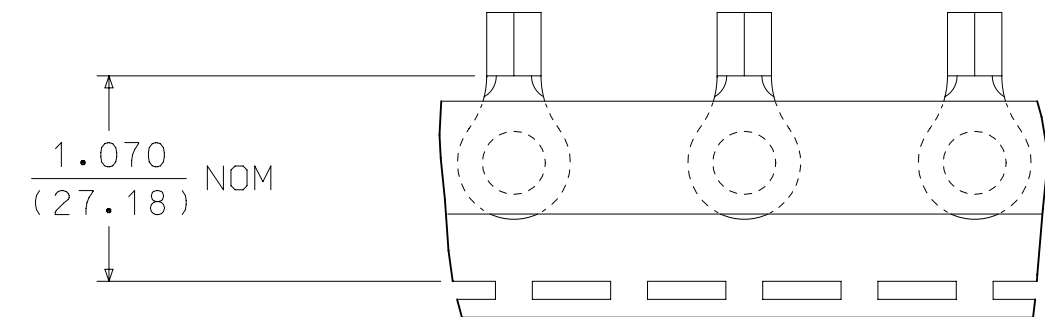


MATERIAL NUMBER	ENGINEERING NUMBER	STUD SIZE	PACKAGING
191930159	D-351-10	10	LOOSE PIECE
191930163	D-351-14	1/4	
191930171	D-351-56	5/16	
191930167	D-351-38	3/8	
191930175	D-351-76	7/16	
191930166	D-351-14T	1/4	TAPE MOUNTED
191930174	D-351-56T	5/16	
191930170	D-351-38T	3/8	
191930177	D-351-76T		



SALES DRAWING

- NOTES:
 1. MATERIAL: COPPER
 PLATING: ELECTROPLATE TIN
 2. ALL DIMENSIONS IN INCHES/(MM).
 3. BRAZED SEAM.
 4. PARTS ARE ROHS COMPLIANT. (A1)

THIS DRAWING CONTAINS INFORMATION THAT IS PROPRIETARY TO MOLEX ELECTRONIC TECHNOLOGIES, LLC AND SHOULD NOT BE USED WITHOUT WRITTEN PERMISSION											
DIMENSION UNITS INCH/MM		SCALE NTS		CURRENT REV DESC: OBSOLETE PART NUMBERS AS PER PCN#508521				molex			
GENERAL TOLERANCES (UNLESS SPECIFIED)						EC NO: 667388					
						2021/04/16		PRODUCT CUSTOMER DRAWING			
4 PLACES ±		MM		INCH		DRWN: SKANDB		DOCUMENT NUMBER			
3 PLACES ±						2021/07/05		SD-19193-017			
2 PLACES ±						CHK'D: GGA		DOC TYPE DOC PART REVISION			
1 PLACE ±						APPR: GGA		PSD 001 B			
0 PLACES ±						INITIAL REVISION:					
ANGULAR TOL ± °						DRWN: BRE					
						2001/06/11					
DRAFT WHERE APPLICABLE MUST REMAIN WITHIN DIMENSIONS		THIRD ANGLE PROJECTION		DRAWING		SERIES		MATERIAL NUMBER			
		B-SIZE		19193		SEE TABLE		CUSTOMER			
						GENERAL MARKET		SHEET NUMBER			
								1 OF 1			