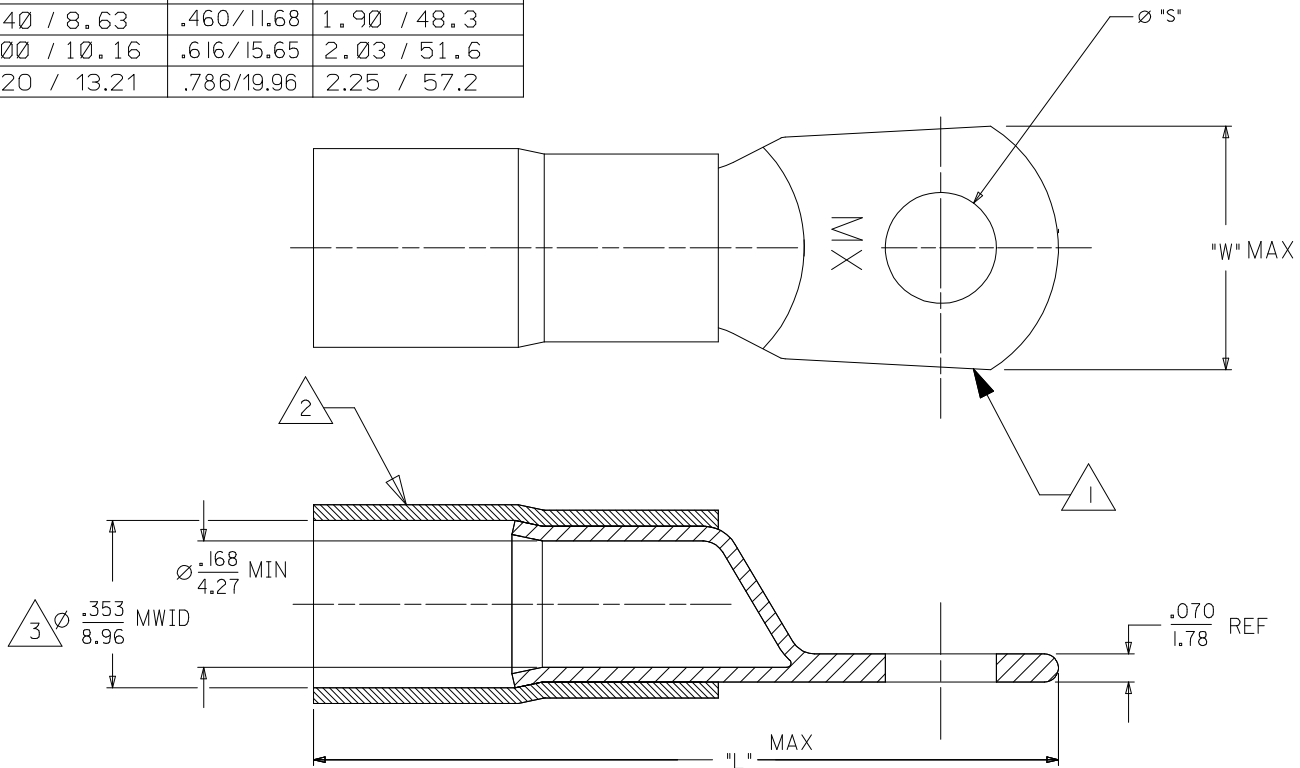


MATERIAL NUMBER	ENGINEERING NUMBER	STUD SIZE	"S" REF	"W" MAX	"L" MAX
191640840	SD-810	#10	.214 / 5.44	.460/11.68	1.90 / 48.3
191640884	SD-814	1/4	.278 / 7.06	.460/11.68	1.90 / 48.3
191640842	SD-8516	5/16	.340 / 8.63	.460/11.68	1.90 / 48.3
191640843	SD-838	3/8	.400 / 10.16	.616/15.65	2.03 / 51.6
191641007	SD-812-XWP-PL	1/2	.520 / 13.21	.786/19.96	2.25 / 57.2



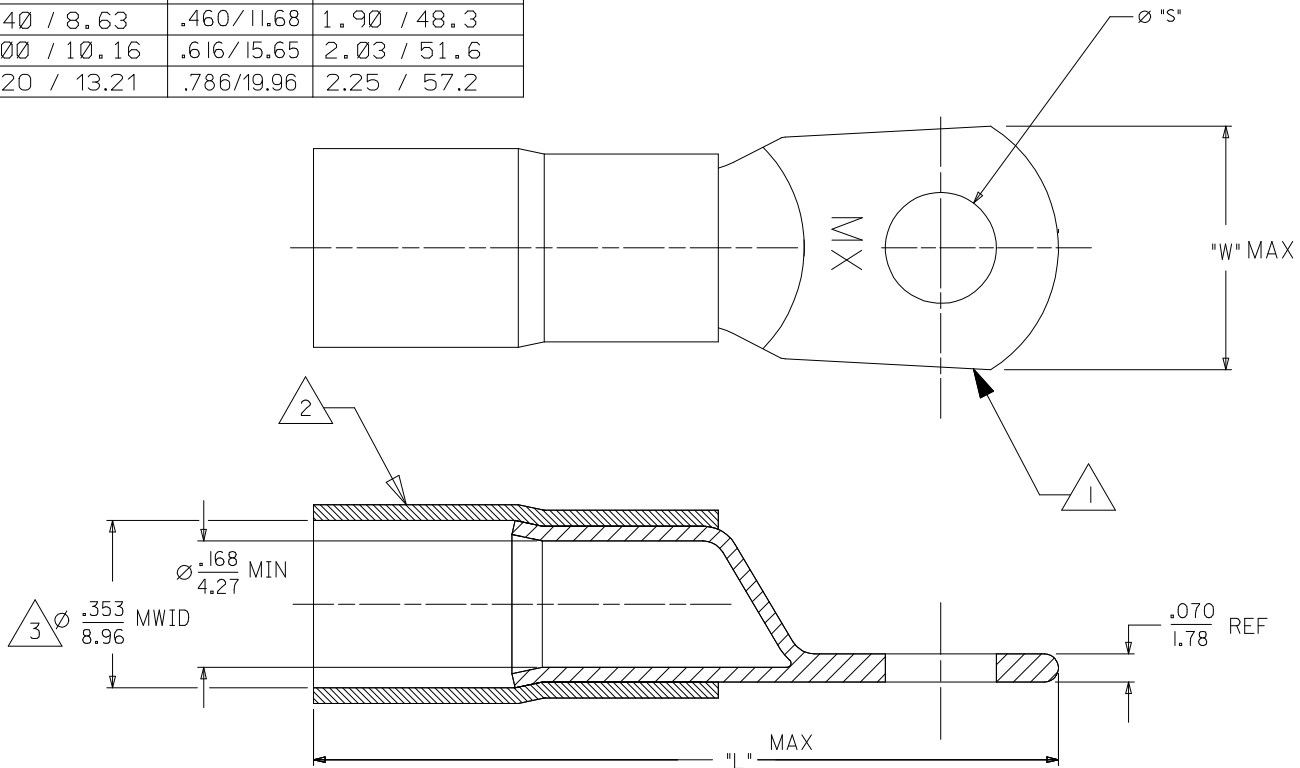
NOTES:

- 1. MATERIAL: TERMINAL: COPPER. PLATING: TIN
- 2. INSULATION: HEAT SHRINKABLE TUBING W/HOT MELT ASHESIVE INNER LINER. COLOR: RED
- 3. MWID = MAXIMUM WIRE INSULATION DIAMETER.
- 4. ASSEMBLY IS ROHS COMPLIANT.

SALES DRAWING

DWG TITLE UPDATE EC NO: IPG2017-0325 DRWNG:GROJAS01 2016/09/27 CHKD:JMAGNEIL 2016/09/27 APPR:JMAGNEIL 2016/10/06	QUALITY SYMBOLS	GENERAL TOLERANCES (UNLESS SPECIFIED)	DIMENSION STYLE	SCALE	DESIGN UNITS	THIRD ANGLE PROJECTION
	▽=0	mm INCH	IN/MM	---	INCH	
	▽=0	4 PLACES ± --- ± ---	DRAWN BY DATE	BRE 04/02/11	BATTERY CABLE LUG PERMA-SEAL 8 AWG NIAC (C2)	
		3 PLACES ± --- ± ---	CHECKED BY DATE	HEB 04/02/11	MOLEX INCORPORATED	
	2 PLACES ± --- ± ---	APPROVED BY DATE	RWD 04/02/11	MATERIAL NO.	DOCUMENT NO.	SHEET NO.
	1 PLACE ± --- ± ---	ANGULAR ± ---°	SEE CHART	SD-19164-066	1 OF 1	
		DRAFT WHERE APPLICABLE MUST REMAIN WITHIN DIMENSIONS	THIS DRAWING CONTAINS INFORMATION THAT IS PROPRIETARY TO MOLEX INCORPORATED AND SHOULD NOT BE USED WITHOUT WRITTEN PERMISSION			

MATERIAL NUMBER	ENGINEERING NUMBER	STUD SIZE	"S" REF	"W" MAX	"L" MAX
191640840	SD-810	#10	.214 / 5.44	.460/11.68	1.90 / 48.3
191640884	SD-814	1/4	.278 / 7.06	.460/11.68	1.90 / 48.3
191640842	SD-8516	5/16	.340 / 8.63	.460/11.68	1.90 / 48.3
191640843	SD-838	3/8	.400 / 10.16	.616/15.65	2.03 / 51.6
191641007	SD-812-XWP-PL	1/2	.520 / 13.21	.786/19.96	2.25 / 57.2



NOTES:

- 1. MATERIAL: TERMINAL: COPPER. PLATING: TIN
- 2. INSULATION: HEAT SHRINKABLE TUBING W/HOT MELT ASHESIVE INNER LINER. COLOR: RED
- 3. MWID = MAXIMUM WIRE INSULATION DIAMETER.
- 4. ASSEMBLY IS ROHS COMPLIANT.

SALES DRAWING

DWG TITLE UPDATE EC NO: IPG2017-0325 DRWNG:GROJAS01 2016/09/27 CHKD:JMAGNEIL 2016/09/27 APPR:JMAGNEIL 2016/10/06	QUALITY SYMBOLS	GENERAL TOLERANCES (UNLESS SPECIFIED)	DIMENSION STYLE	SCALE	DESIGN UNITS	THIRD ANGLE PROJECTION
	▽=0	mm INCH	IN/MM	---	INCH	
	▽=0	4 PLACES ± --- ± ---	DRAWN BY DATE	BRE 04/02/11	BATTERY CABLE LUG PERMA-SEAL 8 AWG NIAC (C2)	
		3 PLACES ± --- ± ---	CHECKED BY DATE	HEB 04/02/11	MOLEX INCORPORATED	
	2 PLACES ± --- ± ---	APPROVED BY DATE	RWD 04/02/11	MATERIAL NO.	DOCUMENT NO.	SHEET NO.
	1 PLACE ± --- ± ---	ANGULAR ± ---°	SEE CHART	SD-19164-066	1 OF 1	
		DRAFT WHERE APPLICABLE MUST REMAIN WITHIN DIMENSIONS	THIS DRAWING CONTAINS INFORMATION THAT IS PROPRIETARY TO MOLEX INCORPORATED AND SHOULD NOT BE USED WITHOUT WRITTEN PERMISSION			