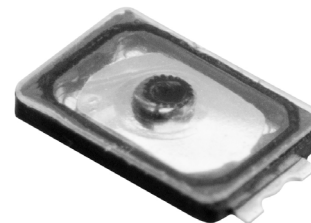




## SERIES: TS19 | DESCRIPTION: TACTILE SWITCH

### FEATURES

- surface mount
- IP67
- 100K & 300K life cycle options



### SPECIFICATIONS

parameter	conditions/description	min	typ	max	units
rated voltage		1		12	Vdc
rated current		0.01		50	mA
withstanding voltage	for 1 minute		100		Vac
contact resistance	applying load of 2 times operating force at 5 Vdc, 10 mA			500	mΩ
insulation resistance	at 100 Vdc for 1 minute	100			MΩ
operating force	see force table				
actuator travel	70 gf models	0.05	0.10	0.15	mm
	120 gf models	0.06	0.11	0.16	mm
	180 & 240 gf models	0.08	0.13	0.18	mm
operating temperature		-30		85	°C
storage temperature		-40		90	°C
life	rated load, 60 cycles/min, 1.5 times operating force				
	100,000 cycle models		100,000		cycles
	300,000 cycle models		300,000		cycles
vibration	10~55~10 Hz, 1.5 mm amplitude, 2 hours on each XYZ				
flammability rating	see material table				
RoHS	yes				
IP level	IP67				

### PART NUMBER KEY

**TS19 - 32 - 06 - BK - XXX - X - SMT - TR -67**

Base Number

Push Force:  
 \*70 = 70 gf  
 120 = 120 gf  
 180 = 180 gf  
 240 = 240 gf

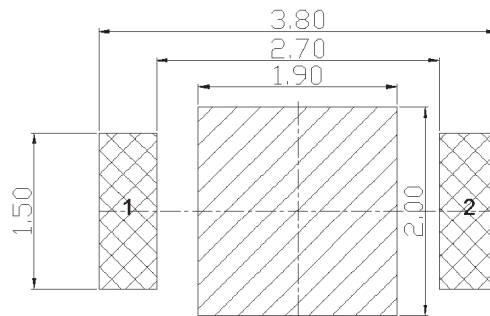
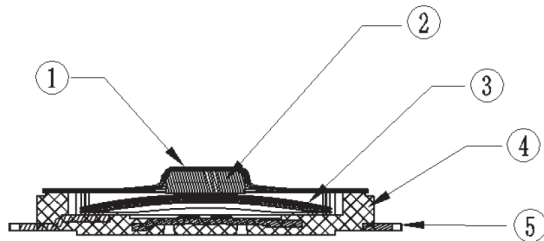
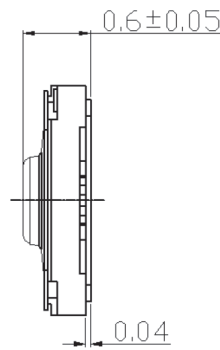
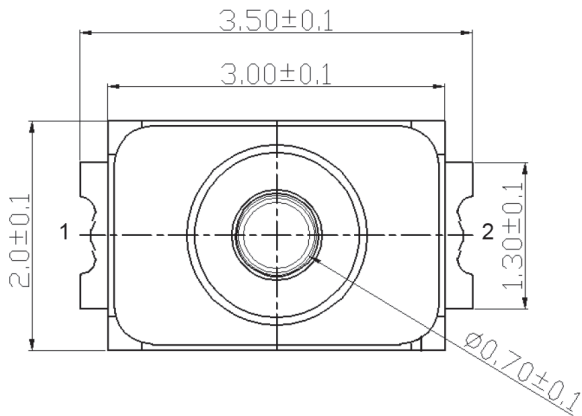
Life Cycles:  
 1=100,000 cycles  
 3=300,000 cycles

Note: \*Only available with 100,000 cycle life.

## MECHANICAL DRAWING

units: mm  
 tolerance: ±0.1 mm  
 unless otherwise noted

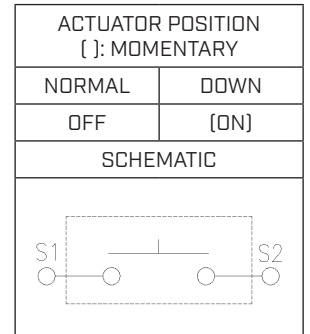
ITEM	DESCRIPTION	MATERIAL	PLATING/COLOR
1	membrane	PA	natural
2	push	PA	black
3	contacts	SUS	silver
4	case	PA	black
5	terminals	copper	silver



: Land Pattern Area

: Brazing Prohibited Area

Recommended PCB Layout  
 Top View



Model	Press Force [gf]	Return Force [gf]
70	70±50	>20
120	120±50	>20
180	180±50	>20
240	240±50	>20

## SOLDERABILITY

parameter	conditions/description	min	typ	max	units
hand soldering	for maximum 3 seconds			350	°C
reflow soldering <sup>1</sup>	see reflow profile			260	°C

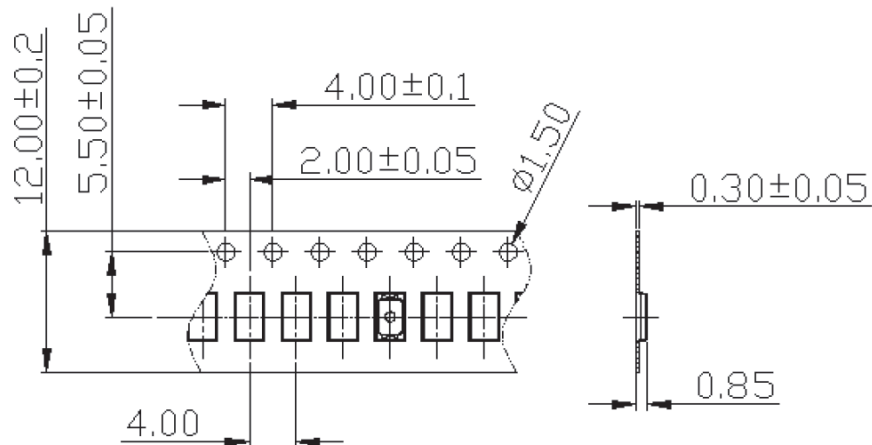
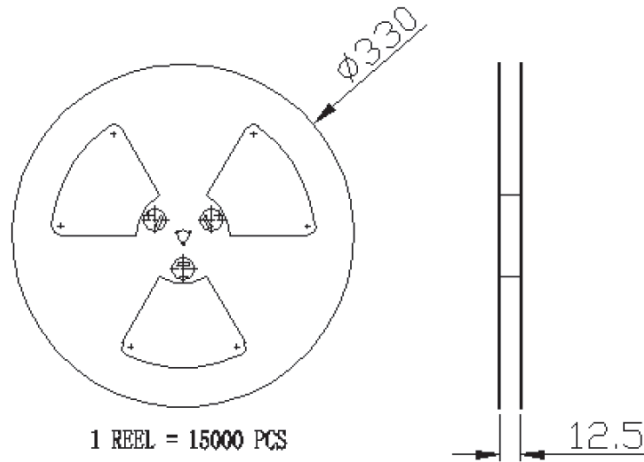
Notes: 1. Do not exceed 2 reflow cycles.



## PACKAGING

units: mm

Reel Size: Ø330 mm  
 Reel QTY: 15,000 pcs per reel  
 Carton Size: 440 x 350 x 350 mm  
 Carton QTY: 225,000 pcs per carton



## REVISION HISTORY

rev.	description	date
1.0	initial release	05/10/2022
1.01	logo, datasheet style update	08/05/2022

The revision history provided is for informational purposes only and is believed to be accurate.



CUI Devices offers a one (1) year limited warranty. Complete warranty information is listed on our website.

CUI Devices reserves the right to make changes to the product at any time without notice. Information provided by CUI Devices is believed to be accurate and reliable. However, no responsibility is assumed by CUI Devices for its use, nor for any infringements of patents or other rights of third parties which may result from its use.

CUI Devices products are not authorized or warranted for use as critical components in equipment that requires an extremely high level of reliability. A critical component is any component of a life support device or system whose failure to perform can be reasonably expected to cause the failure of the life support device or system, or to affect its safety or effectiveness.

[cuidevices.com](http://cuidevices.com)