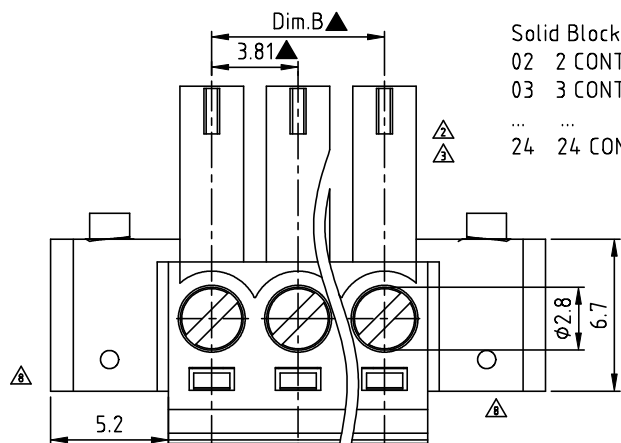


RoHS Compliant

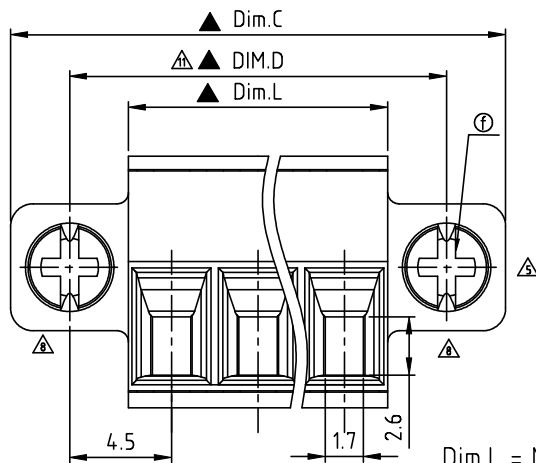


Solid Block
02 2 CONTACTS
03 3 CONTACTS
... ..
24 24 CONTACTS

TJ xx 31x 2 xxxx G

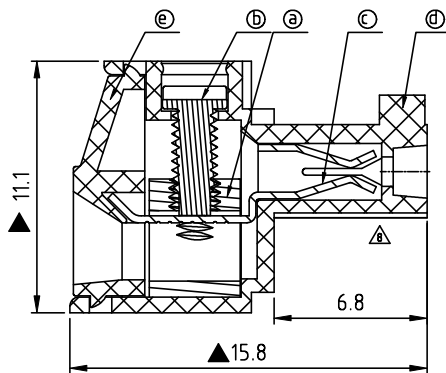
- 0 Black (RAL9005)
- 2 Red (RAL3001/D)
- 3 Orange(RAL2011/P)
- 4 Yellow(RAL1018/A)
- 5 Green(RAL6018/T)
- 6 Blue (RAL5015/A)
- 8 Grey(RAL7035/D)

G RoHS compliant (lead<4%)
In copper Alloy
0000: "@" Logo
000A: "ANYTEK" Mark
0091: "ANYTEK" Mark
Any special item by customer request.
please contact sales department.



Dim.L = N x 3.81
Dim.B = (N-1) x 3.81
Dim.C = N x 3.81+10.4
Dim.D = (N-1) x 3.81+9.0
N= number of poles

poles	2P-6P	7P-12P	13P-18P	19P-24P
Dim.L	±0.15	±0.20	±0.25	±0.30
Dim.B	±0.10	±0.15	±0.20	±0.25
Dim.C	±0.15	±0.20	±0.25	±0.30
Dim.D	±0.15	±0.20	±0.25	±0.30



REV	SIGN	DATE	DESCRIPTION	APPROVER
C	△	11/01'05	Electrical standard changed.	Marvin
D	△	04/20'06	2p to 6p with wedge is changed.	Marvin
E	△	06/06'06	2p to 6p with wedge is removed	Marvin
F	△	8/13'06	Added VDE standard	梁仁松
G	△	12/15'08	Flange screw changed from "-"solt type to "+/-"solt type	Kind
H	△	2010.07.12	The solid and Stranded wire are changed from16-26 to16-28	Chen Bo
I	△	2010.07.12	Rrmove the CSA mark	Chen Bo
J	△	08/23-18	update the drawing,Add RoHS compliant,Replace the drawing frame	zhangcan
	△	08/23-18	Material:Change a to ⊕ ,ItemⓄFemale contact: PhBz , Bright Tin plated over Nickel plated.	zhangcan
	△	08/23-18	all Critical dimension Change ⊗ to ▲,add ● Critical dimension:▲	zhangcan
	△	08/23-18	add Dim.C = N x 3.81+10.4, Dim.D = (N-1) x 3.81+9.0,add Dim.C,Dim.D Tolerance.	zhangcan
	△	08/23-18	The solid and Stranded wire are changed from16-26 /16-28 to 16-28	zhangcan
	△	08/23-18	change G RoHS compliant (lead<4%) In copper Alloy	zhangcan

THIS IS CAD DRAWING, DO NOT REVISE MANUALLY!!!

Material

- ItemⓄClamp: Brass(CuZn) Ni plated
- ItemⓅTerminal screw: Steel Zinc plating "-" slot type
- △● ItemⓄFemale contact: PhBz ,Bright Tin plated over Nickel plated
- ItemⓄTerminal (housing): Thermoplastic (UL94V-0)
- ItemⓄTerminal (cover): Thermoplastic (UL94V-0)
- △● ItemⓄWith flange screw:steel M2.5 Zinc plating "+/-" slot type

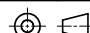
Electrical cULUS/VDE

- Voltage rating: 300VAC/300VAC
- Current rating: 10A/10.5A
- Wire range: 1.5mm²
- △● Solid wire(AWG): 16-28
- Stranded wire(AWG): 16-28
- Torque: 3Lb-In/0.2Nm
- Screw: M2
- Wire strip length: 6-7mm
- Withstanding Voltage: 1.6KV/2.5KV
- Operating temperature: -40°C to +115°C
- △● Safety Approval: cULUS VDE
- △● Critical dimension: ▲

Amphenol ANYTEK

CUSTOMER COPY

ALL RIGHTS RESERVED. REPRODUCTION OR ISSUE TO THIRD PARTIES IN ANY FORM WHATSOEVER IS NOT PERMITTED WITHOUT WRITTEN AUTHORITY FROM THE PROPRIETOR. PROPERTY OF ANYTEK TECHNOLOGY CO., LTD

TITLE				TJ-3.81mm Series With flange			
PART NO.		TJxx31x2xxxxG		DWG NO.		8TJ0602	
APPROVED	CHECKED	DESIGNED	DRAWN	CUST NO.		Tolerance	
		zhangcan 09/19-18	zhangcan 09/19-18	 UNIT: mm SCALE: NONE		X. ±0.50	
SHEET: 01/01						REV.: J	