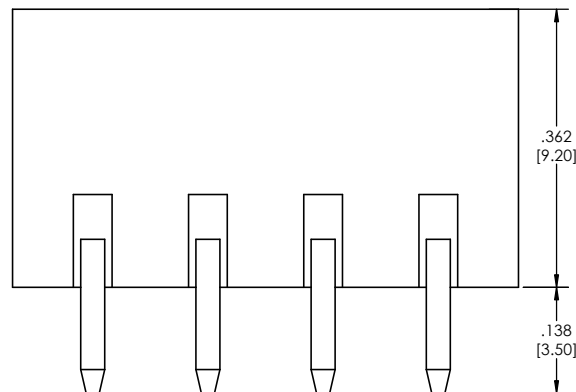
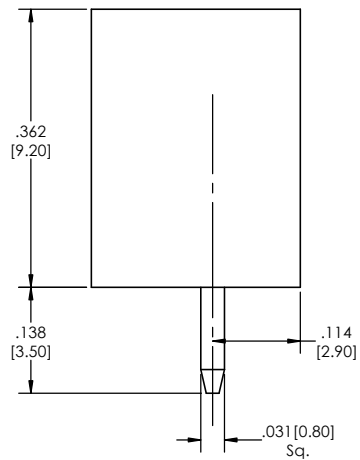
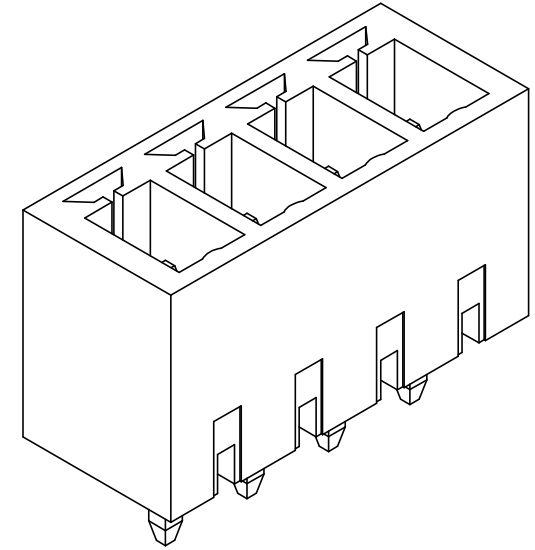
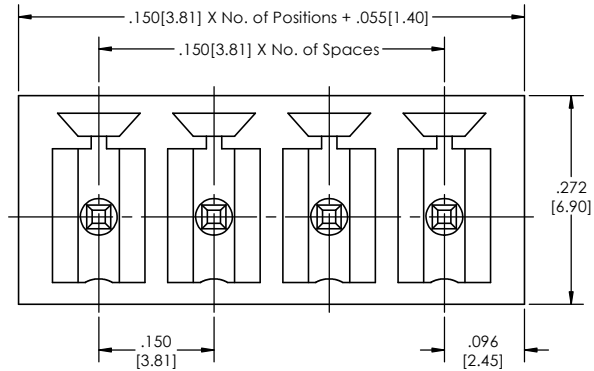
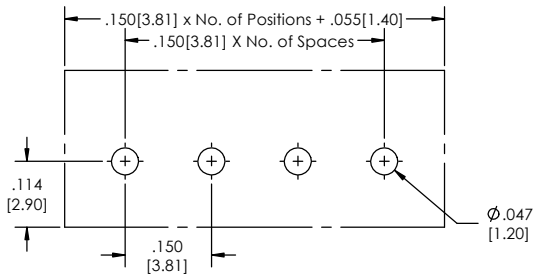


Recommended P.C. Board Layout
SCALE 6:1



TBPH - 00 - **150** - **XX** - **XX** - **LF**
(A) (B) (C) (D)

- A. Pitch
- 150= .150(3.81) cl
- B. No. of Positions
- 02-24
- C. Color
- GR= Green (Standard)
- BK= Black
- BL= Blue
- WH= White
- GY= Grey
- OR= Orange
- YW= Yellow
- RD= Red
- BR= Brown
- D. Lead Free
- Specifications:
Current Rating: 8 Ampere
Voltage Rating: AC 250V
Insulation Resistance: DC 500V 1000M ohms
Dielectric Withstanding Voltage: AC 2000V/1 minute
Operation Temperature: -33°C to +105°C

- Materials:
1. Body: PA66 (Nylon), UL94 V-0
2. Terminal: Brass, Tin Plated

Tails may be clipped to achieve specific dimensions.

Products cut to specific sizes are uncancelable/ nonreturnable.
Parts are subject to change without notice.



PROPRIETARY AND CONFIDENTIAL
THE INFORMATION CONTAINED IN THIS DRAWING IS THE SOLE PROPERTY OF Major League Electronics. ANY REPRODUCTION IN PART OR AS A WHOLE WITHOUT THE WRITTEN PERMISSION OF Major League Electronics IS PROHIBITED.

UNLESS OTHERWISE SPECIFIED:		NAME	DATE		
DIMENSIONS ARE IN INCHES		DRAWN	EOW		04/21/14
TOLERANCES:		CHECKED	GWE		04/21/14
ONE DECIMALS ±.100		ENG APPR.			
TWO DECIMAL ±.010		MFG APPR.			
THREE DECIMAL ±.005		ADDRESS:		2533 Centennial Blvd. Jeffersonville, In 47130 Phone: 812-670-4174 Fax: 812-670-4175 E-Mail: mle@mlelectronics.com	
FOUR DECIMAL ±.002		INTERPRET GEOMETRIC TOLERANCING PER:			
NEXT ASSY USED ON		MATERIAL			
APPLICATION		FINISH			
DO NOT SCALE DRAWING		TITLE: TBPH-00-150 Series		REV	
		SIZE DWG. NO.		A	
		SCALE 8:1		SHEET 1 OF 1	