



# LIGHTHAWK® ULTRASONIC WALL SWITCH SENSOR

WALL SWITCH OCCUPANCY SENSORS

## FEATURES

- Digital Ultrasonic (US) sensor
- IntelliDAPT® self-adaptive technology; no manual adjustment required
- Single and dual relay models for on/off switching
- Occupancy (auto-ON) and Vacancy (manual-ON) operating modes
- 400 square-foot, 180° coverage area
- 120/277VAC, 347VAC and 24VDC models
- Zero Arc Point Switching



## RELATED PRODUCTS

[Occupancy Sensor Accessories](#)

[LightHAWK Dual Tech](#)

[LightHAWK PIR](#)

[LightHAWK Dimming Dual Tech](#)

[LightHAWK Dimming PIR](#)

[LightHAWK Ultrasonic](#)

## SPECIFICATIONS

### CONSTRUCTION

- Casing - high - impact injection - molded plastic (UL-94-5V Impact-resistance lens)
- Color-coded leads are 6" (152.4mm) long
- Wrap around galvanized steel mounting strap
- 2.9 oz. (82.21g)
- White; Ivory; Light Almond; Gray; Black

### MOUNTING

- Single-gang NEMA-style switch box (standard switch box)
- Decorator-style wall plate sold separately

### ELECTRICAL

- 40kHz output
- Natural light override range: 10-500 foot-candles
- 120/277VAC; 50/60Hz
- 347VAC; 50/60Hz

### ELECTRICAL (CONTINUED)

- 24VDC (requires power pack - sold separately)
- 120VAC: 800W Incandescent/ Electronic Ballast/ LED Driver, 1,000W Magnetic Ballast; 1/2 HP Motor
- 277VAC: 1,800W Magnetic Ballast/ Electronic Ballast/ LED Driver; 1/2 HP Motor
- 347VAC: 1,500W Magnetic Ballast/ Electronic Ballast/ LED Driver; 1/2 HP Motor

### OPERATIONS

- IntelliDAPT
  - Self-adjusting Ultrasonic (US) and passive infrared (PIR) sensitivity
  - Automatic false-ON/ false-OFF corrections
  - No manual adjustments required
- Coverage
  - 400 square-foot, 180° coverage area

### OPERATIONS (CONTINUED)

- Timer Settings
  - Auto mode: 4-30 minutes; self-adjusts based on occupancy
  - Fixed mode: 4, 8, 15, and 30 minutes
  - Test mode: 5 seconds

### OPERATING ENVIRONMENT

- Indoor use only
- Operating temperature: 32° to 104°F (0° to 40°C)
- Relative humidity (non-condensing): 0% to 95%

### CERTIFICATIONS

- UL and cUL listed

### WARRANTY

- 5 year warranty
- See [HCS Standard Warranty](#) for additional information

## ORDERING GUIDE

Example: LHUSS1-G-WH-M

CATALOG # \_\_\_\_\_

Series	Buttons	Wiring	Color	Mode	
LHUSS	Light-HAWK Ultrasonic Single Relay	<b>0</b> 0 <sup>2</sup>	<b>G</b> Ground (120/277V)	<b>WH</b> White	<b>Blank</b> Switchable Vacancy or Occupancy Mode
LHDCUSD	Light-HAWK Ultrasonic Dual Isolated Relay	<b>1</b> 1	<b>N</b> Neutral (120/277V)	<b>IV</b> Ivory	
LHUSD	Light-HAWK Ultrasonic Dual Circuit Relay <sup>1</sup>	<b>2</b> 2 <sup>3</sup>	<b>24V</b> Low Voltage <sup>4</sup>	<b>LA</b> Light Almond	<b>M</b> Vacancy Mode Only
		<b>G347</b> Ground (347V)	<b>GY</b> Gray		
		<b>N347</b> Neutral (347V)	<b>BK</b> Black		

Notes:

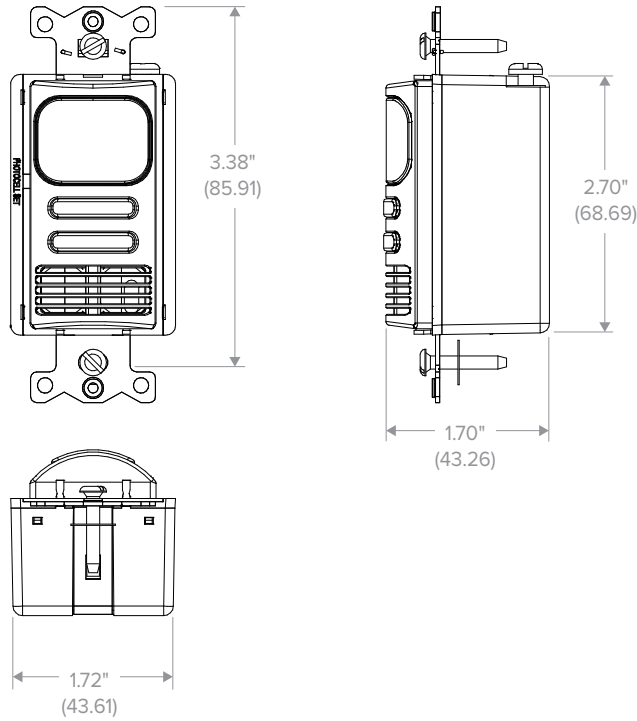
- 1 Only available in 24V version
- 2 No button version not available with -M option
- 3 Two button option only available with LHDC model
- 4 Low voltage sensors require a power pack that is sold separately



# LIGHTHAWK® ULTRASONIC WALL SWITCH SENSOR

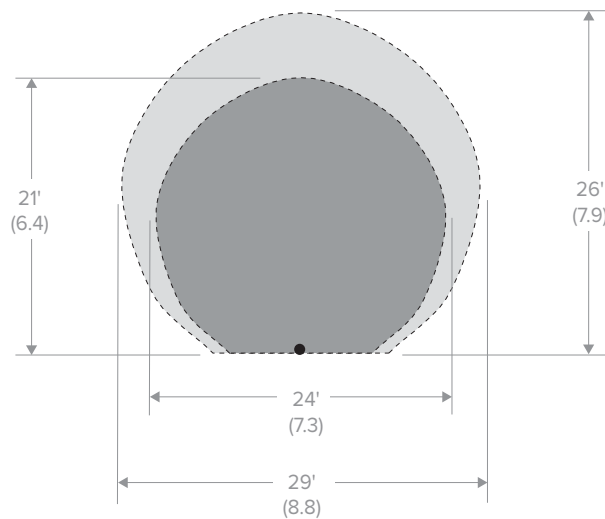
WALL SWITCH OCCUPANCY SENSORS

## DIMENSIONS



## ADDITIONAL INFORMATION

### Coverage Pattern



US Major Motion US Minor Motion

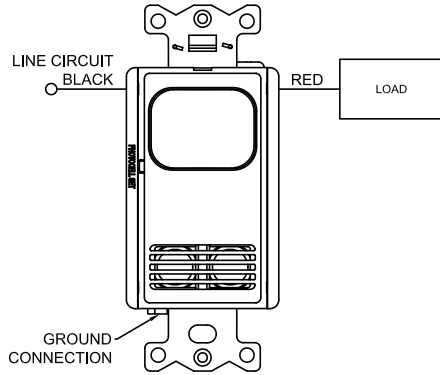


# LIGHTHAWK® ULTRASONIC WALL SWITCH SENSOR

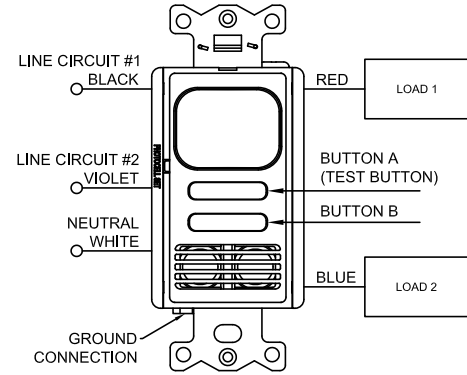
WALL SWITCH OCCUPANCY SENSORS

## ADDITIONAL INFORMATION (CONTINUED)

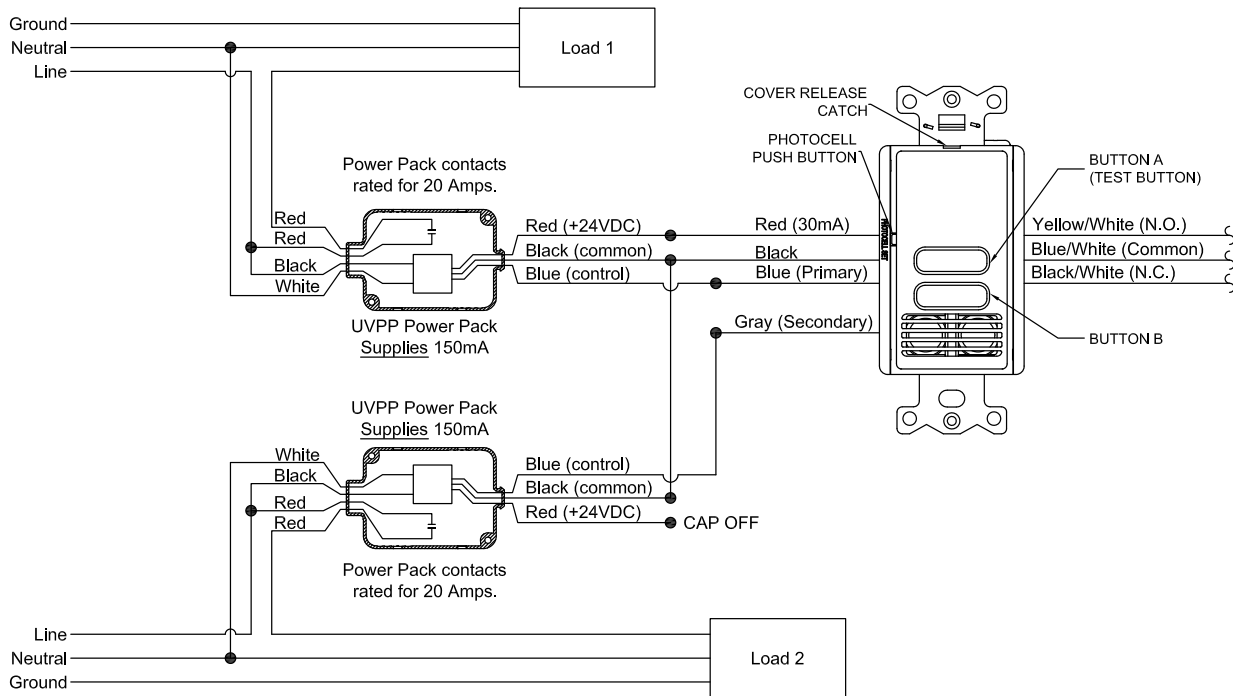
### Wiring Diagrams



**SINGLE LOAD WIRING**



**DUAL LOAD WIRING**



**LOW VOLTAGE DUAL LEVEL CONTROL WITH TWO POWER PACKS**

All product and company names, logos and product identifiers are trademarks™ or registered trademarks® of Hubbell Lighting, Inc. or their respective owners. Use of them does not necessarily imply any affiliation with or endorsement by such respective owners.