



MMBX Plug Slide-On Connector Solder Attachment Surface Mount PCB, With Male Center Contact

RF Connectors Technical Data Sheet

PE45259TR1

Configuration

- Slide-On MMBX Plug Connector
- 50 Ohms
- Straight Body Geometry
- Surface Mount Interface Type
- Solder/Solder Attachment

Features

- Max. Operating Frequency 12.4 GHz
- Excellent VSWR of 1.06:1
- Gold Plated Beryllium Copper Contact
- Blind Mate Connection
- Small circuit footprint for high density applications
- packaging available for pick and place circuit board manufacturing
- Mechanical misalignment tolerance of 4.5deg/0.7mm Max

Applications

- General Purpose Test
- PCB Applications
- Circuit board test point
- PCB applications
- Low cost blind mate interconnect
- Board to board applications requiring multiple coaxial connections

Description

Pasternack's PE45259TR1 MMBX plug slide-on connector with solder/solder attachment for surface mount PCB is part of our full line of RF components available for same-day shipping. Our MMBX plug connector operates up to a maximum frequency of 12.4 GHz and offers excellent VSWR of 1.06:1.

Our MMBX plug connector PE45259TR1 datasheet specifications and drawing with dimensions are shown below in this PDF. Pasternack's broad catalog of RF, microwave and millimeter wave connectors allows designers to configure and customize their signal connections however they like. Whether the need is to provide an I/O for a board design, or simply create a custom cable assembly configuration, Pasternack has the right connector for the job. Pasternack can also expertly build your custom cable assemblies for you and ship same-day.

Electrical Specifications

Description	Minimum	Typical	Maximum	Units
Frequency Range	DC		12.4	GHz
VSWR			1.06:1	
Insertion Loss			0.12	dB
Operating Voltage (DC)			300	Vdc
Dielectric Withstanding Voltage (DC)			1,000	Vdc
Insulation Resistance	1,000			MOhms

Electrical Specification Notes:
 MMBX Plug has a male center contact
 ***Cap for Manufacturing process

Click the following link (or enter part number in "SEARCH" on website) to obtain additional part information including price, inventory and certifications: [MMBX Plug Slide-On Connector Solder Attachment Surface Mount PCB, With Male Center Contact PE45259TR1](#)



MMBX Plug Slide-On Connector Solder Attachment
Surface Mount PCB, With Male Center Contact

RF Connectors Technical Data Sheet

PE45259TR1

Mechanical Specifications

Size

Length	0.24 in [6.1 mm]
Width/Dia.	0.24 in [6.10 mm]
Height	0.217 in [5.51 mm]
Weight	0.001 lbs [0.45 g]
Mating Cycles	500 Cycles

Material Specifications

Description	Material	Plating
Contact	Beryllium Copper	Gold
Insulation	PTFE	
Outer Conductor	Brass	Gold
Body	Brass	Gold

Environmental Specifications

Temperature

Operating Range	-55 to +155 deg C
-----------------	-------------------

Compliance Certifications (see [product page](#) for current document)

Plotted and Other Data

Notes:

Click the following link (or enter part number in "SEARCH" on website) to obtain additional part information including price, inventory and certifications: [MMBX Plug Slide-On Connector Solder Attachment Surface Mount PCB, With Male Center Contact PE45259TR1](#)



MMBX Plug Slide-On Connector Solder Attachment
Surface Mount PCB, With Male Center Contact

RF Connectors Technical Data Sheet

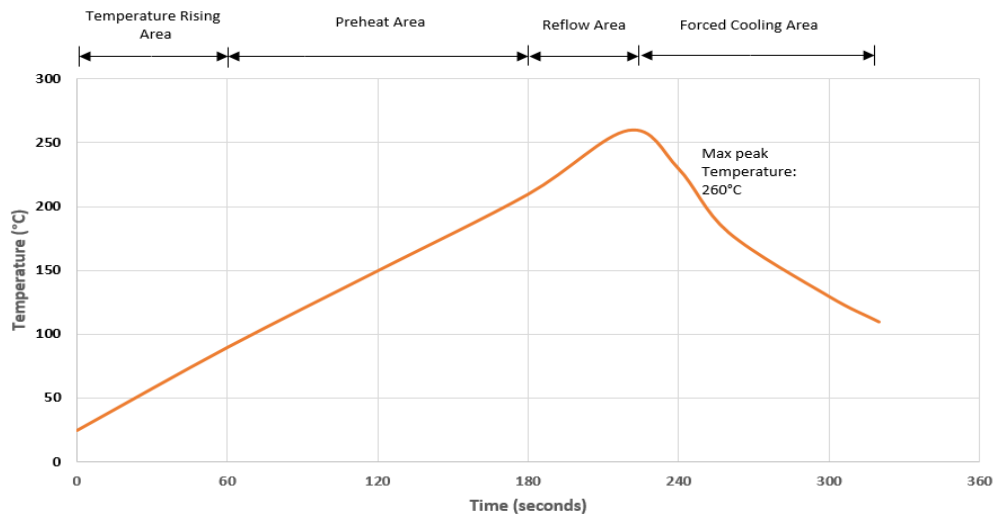
PE45259TR1

Typical Performance Data

SOLDER PROCEDURE FOR MMBX RECEPTACLE

- 1) Deposit solder paste 'SnAg4Cu0.5' on mounting zone by screen printing application.
We recommend a low residue flux.
We advise a thickness of 150µm.
- 2) Placement of the receptacle on the mounting zone with an automatic machine of 'pick and place' type.
A video camera is recommended for positioning of the component.
Adhesive agents must not be used on the receptacle.
- 3) This process of soldering has been tested with convection oven. Below please find, the typical profile to use.
- 4) Verification of solder joints and position of the component by visual inspection.

TEMPERATURE PROFILE



Parameter	Value	Unit
Temperature rising area	1 - 4	°C/sec
Max Peak Temperature	260	°C
Max dwell time @260°C	10	sec
Min dwell time @235°C	20	sec
Max dwell time @235°C	60	sec
Temperature drop in cooling area	-1 to -4	°C/sec
Max dwell time above 100°C	420	sec

Click the following link (or enter part number in "SEARCH" on website) to obtain additional part information including price, inventory and certifications: [MMBX Plug Slide-On Connector Solder Attachment Surface Mount PCB, With Male Center Contact PE45259TR1](#)



MMBX Plug Slide-On Connector Solder Attachment Surface Mount PCB, With Male Center Contact

RF Connectors Technical Data Sheet

PE45259TR1

MMBX Plug Slide-On Connector Solder Attachment Surface Mount PCB, With Male Center Contact from Pasternack Enterprises has same day shipment for domestic and International orders. Our RF, microwave and millimeter wave products maintain a 99% availability and are part of the broadest selection in the industry.

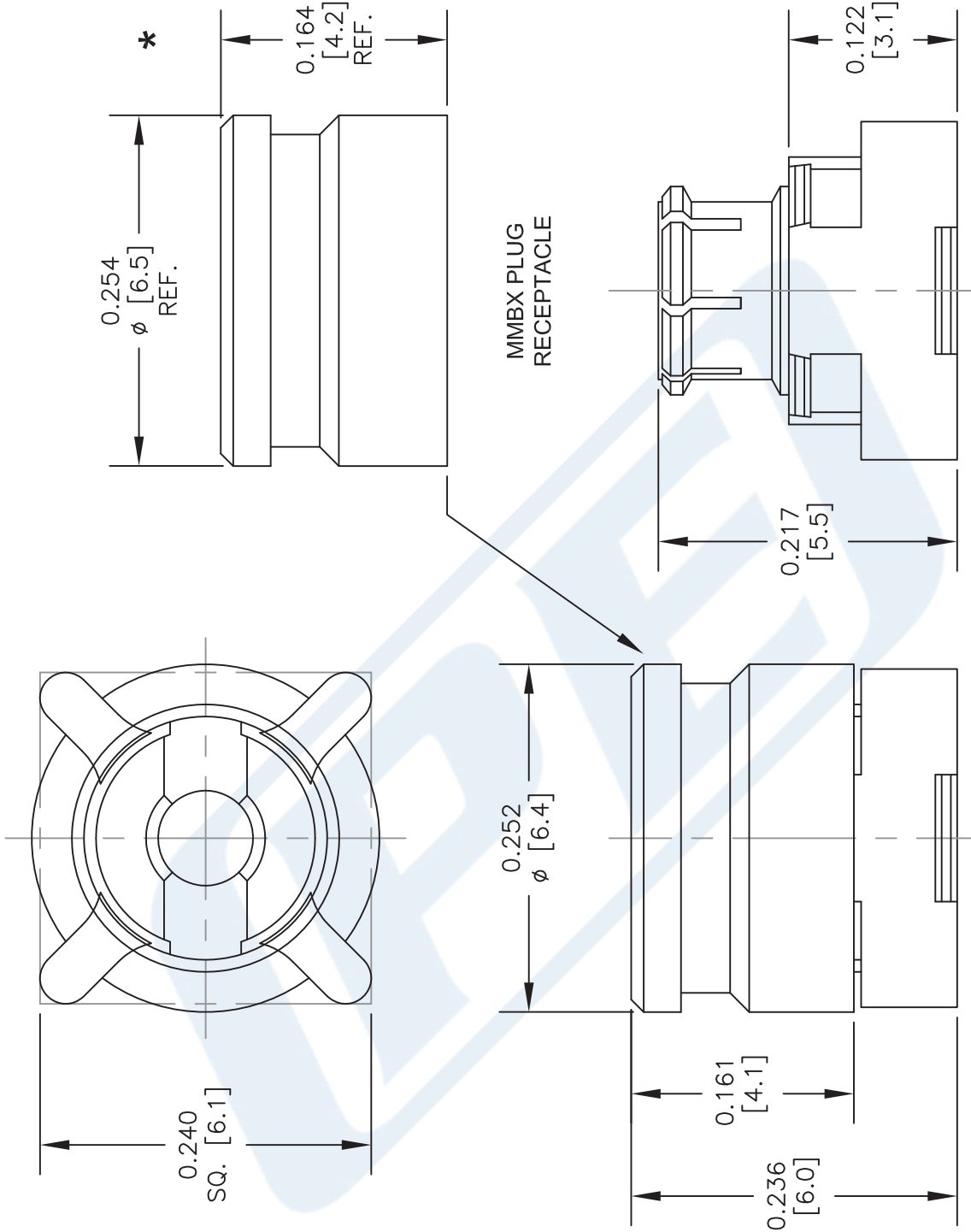
Click the following link (or enter part number in "SEARCH" on website) to obtain additional part information including price, inventory and certifications: [MMBX Plug Slide-On Connector Solder Attachment Surface Mount PCB, With Male Center Contact PE45259TR1](#)

URL: <https://www.pasternack.com/mmbx-plug-slide-on-surface-mount-pcb-connector-pe45259tr1-p.aspx>

The information contained in this document is accurate to the best of our knowledge and representative of the part described herein. It may be necessary to make modifications to the part and/or the documentation of the part, in order to implement improvements. Pasternack reserves the right to make such changes as required. Unless otherwise stated, all specifications are nominal. Pasternack does not make any representation or warranty regarding the suitability of the part described herein for any particular purpose, and Pasternack does not assume any liability arising out of the use of any part or documentation.

PE45259TR1 CAD Drawing

MMBX Plug Slide-On Connector Solder Attachment Surface
Mount PCB, With Male Center Contact



STANDARD TOLERANCES
.X ±0.2
.XX ±0.1
.XXX ±0.05

*STANDARD TOLERANCES APPLY ONLY TO DIMENSIONS IN INCHES

*CAP FOR MANUFACTURING PROCESS

NOTES:
1. UNLESS OTHERWISE SPECIFIED ALL DIMENSIONS ARE NOMINAL.
2. ALL SPECIFICATIONS ARE SUBJECT TO CHANGE WITHOUT NOTICE AT ANY TIME.
3. DIMENSIONS ARE IN INCHES [mm].

DWG TITLE
PE45259TR1

FSCM NO. 53919

CAD FILE 092816

SCALE N/A

SIZE A

2233

(PE) PASTERNAK®
THE ENGINEER'S RF SOURCE

Pasternack Enterprises, Inc.
P.O. Box 16759 | Irvine | CA | 92623

Phone: (949) 261-1920 | Fax: (949) 261-7451
Website: www.pasternack.com | E-Mail: sales@pasternack.com

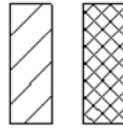
PE45259TR1 CAD Drawing

MMBX Plug Slide-On Connector Solder Attachment Surface
Mount PCB, With Male Center Contact

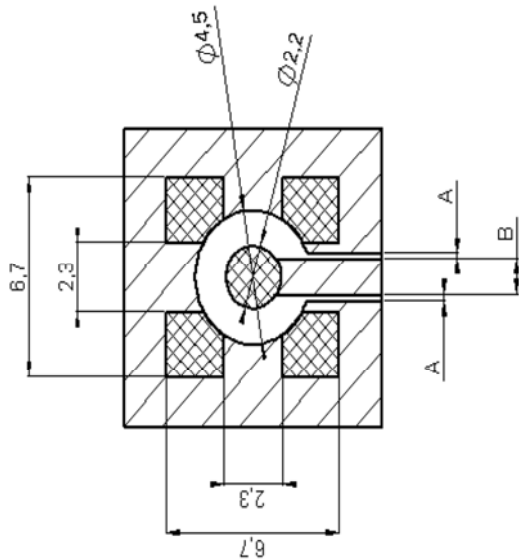
PCB

COPLANAR LINE

Pattern and signal are on the same side
The material of PCB is epoxy resin (FR4).
(Er = 4.6)
The solder resist should be printed
Except for the land pattern on the PCB



Pattern



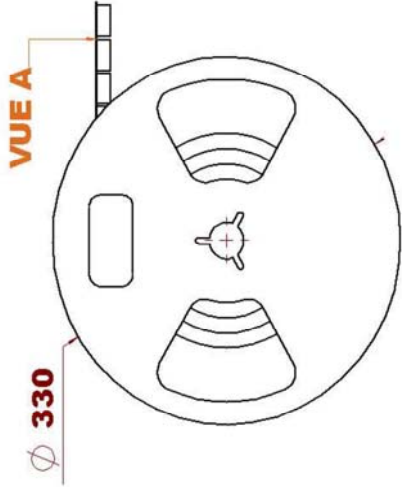
APPLICATION 75Ω
WITH B = 0.55 mm
0.0216 Inches

PCB Thickness [mm] Inches	Coplanar Ligne A [mm] Inches
0.0314 [0.8]	0.0137 [0.350]
0.0393 [1.0]	0.0141 [0.360]
0.0472 [1.2]	0.0143 [0.365]
0.0629 [1.6]	0.0147 [0.375]

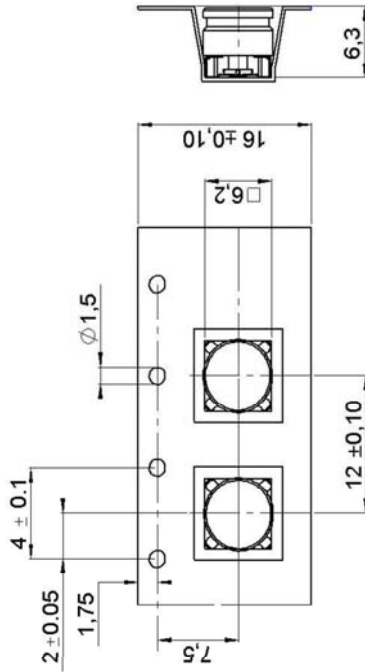
STANDARD TOLERANCES

.X ±0.2
.XX ±0.1
.XXX ±0.05

*STANDARD TOLERANCES APPLY
ONLY TO DIMENSIONS IN INCHES



VUE A



APPLICATION 50Ω
WITH B = 1.2 mm
0.0472 Inches

PCB Thickness [mm] Inches	Coplanar Ligne A [mm] Inches
0.0314 [0.8]	0.0074 [0.190]
0.0393 [1.0]	0.0078 [0.200]
0.0472 [1.2]	0.0080 [0.205]
0.0629 [1.6]	0.0082 [0.210]

DWG TITLE

PE45259TR1

NOTES:
1. UNLESS OTHERWISE SPECIFIED ALL DIMENSIONS ARE NOMINAL.
2. ALL SPECIFICATIONS ARE SUBJECT TO CHANGE WITHOUT NOTICE AT ANY TIME.
3. DIMENSIONS ARE IN INCHES [mm].

PE PASTERNAK
THE ENGINEER'S RF SOURCE
Pasternack Enterprises, Inc.
P.O. Box 16759 | Irvine | CA | 92623
Phone: (949) 261-1920 | Fax: (949) 261-7451
Website: www.pasternack.com | E-Mail: sales@pasternack.com

FSCM NO. 53919

CAD FILE 092816

SCALE N/A

SIZE A

2233