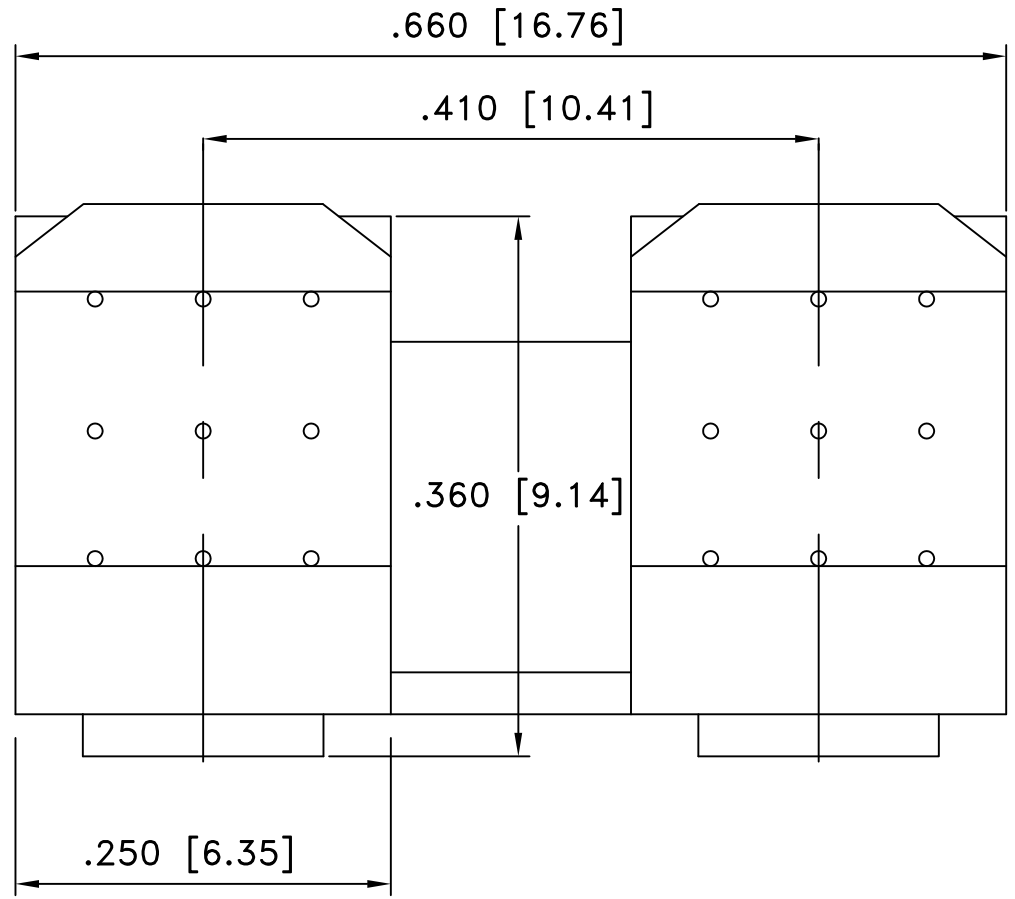
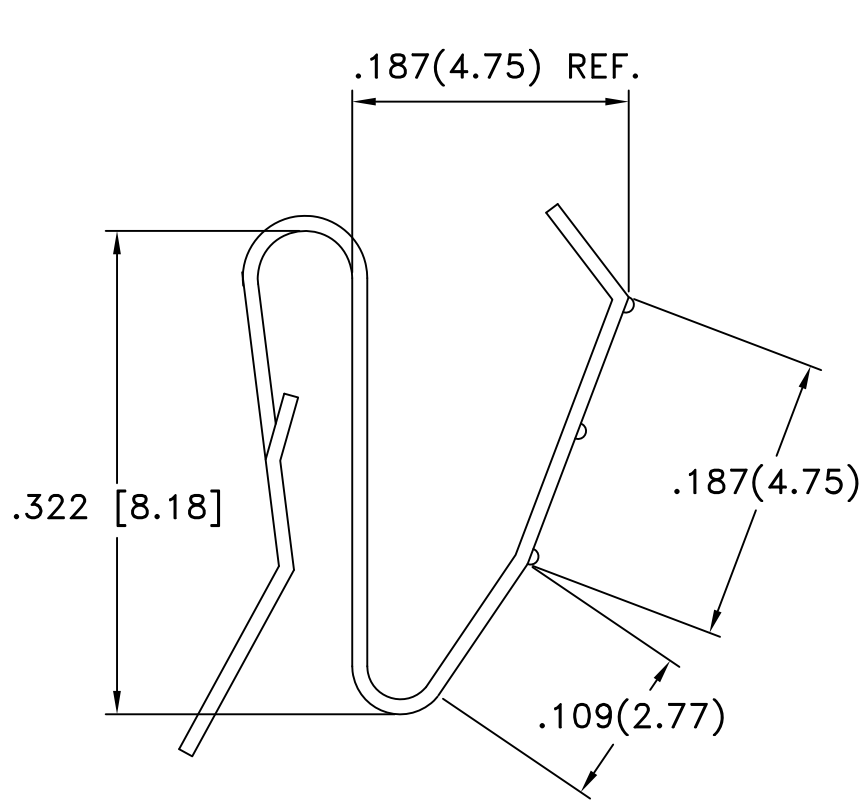



| Date | SYM | REVISION RECORD | AUTH | DR. | CK. |
|----------|-----|-----------------------------|------|------|-----|
| 03/23/12 | A | ADDED ROHS COMPLIANT | T.B. | B.S. | |
| 11/21/14 | B | UPDATED TO ROHS 2 COMPLIANT | T.B. | B.S. | |



MATERIAL:
 0.010" SPRING TEMPER STAINLESS STEEL, NICKEL
 PLATED
 ROHS 2 COMPLIANT

| | | | |
|--------------------------------|---|--------------------------|------------------|
| Tolerance (Except as noted) |  Memory protection Devices, Inc 200 Broad Hollow Road, Farmingdale, New York 11735 | Scale XX | Drawn By T.S. |
| | | | Approved By T.B. |
| decimal ±.5 (.020) | Title BATTERY CONTACT, AAA OR N | | |
| Fractional ± .8 (.030) | Date 11/21/14 | Drawing Number BK-202 | |
| Angular ± 3° | | | |