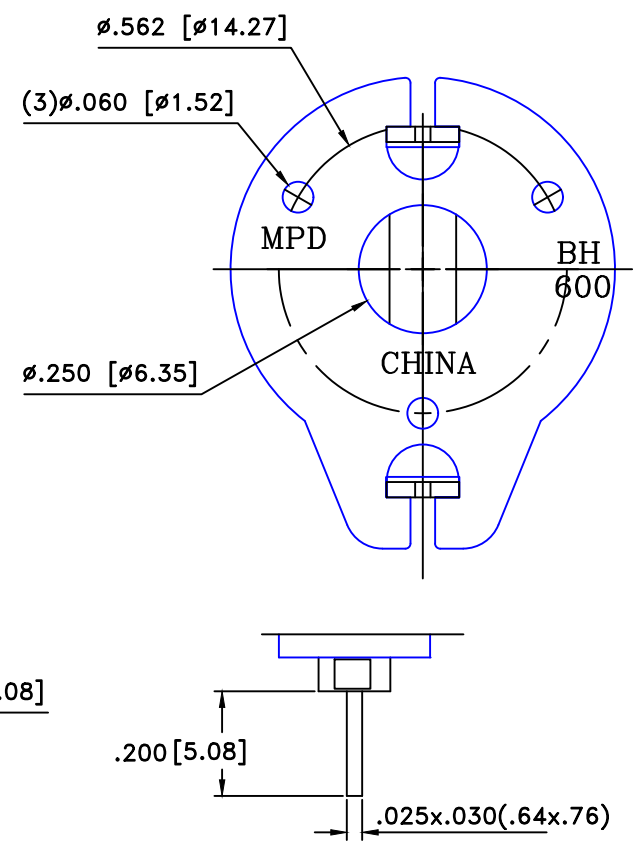
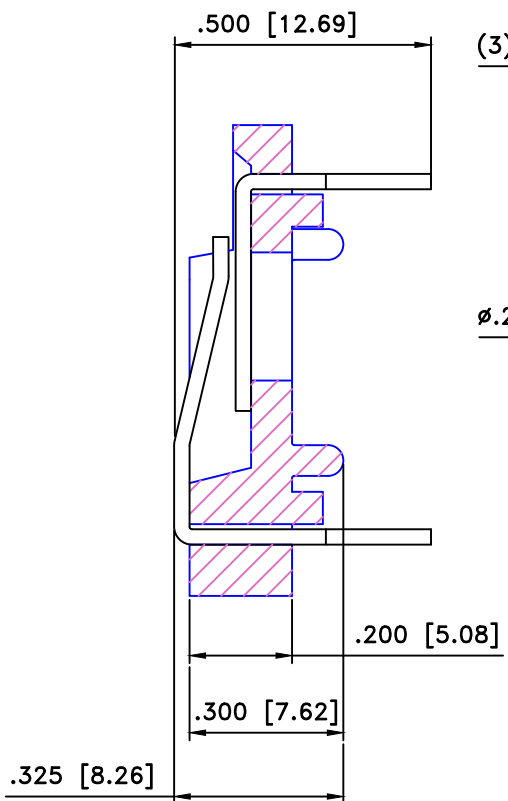
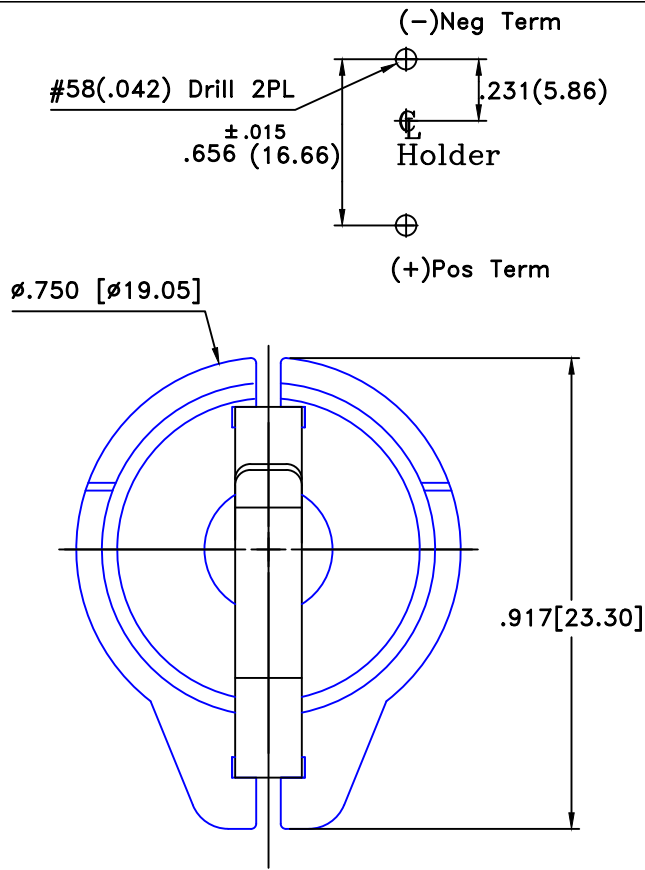


Date	SYM	REVISION RECORD	AUTH	DR.	CK.
11/07/19	D	Added weight of the part	T.B.	B.S.	
09/14/23	E	Updated UL file number	T.B.	B.S.	




Square Contact Detail

**SPECIFICATIONS**

- \*Holder material-thermoplastic, black PBT
- \*Flammability rating-UL94V-0, File No.E53664
- \*Contacts-Stainless Steel spring temper  
Gold Flash Finish
- \*Dielectric strenth-560volts/mil at 25°C for 5seconds
- \*Temperature range- -55° to +180°C
- \*REsistance to solvents-Xylene,ethyl,butyl,methyl&proptl  
alcohol;ethyl acetate,heptane;toluene;refrigerant
- \*Approximate weight: 1.68g

ROHS COMPLIANT

Tolerance (Except as noted)	 <b>Memory protection Devices, Inc</b> 200 Broad Hollow Road, Farmingdale, New York 11735		
decimal ±.5 (.020)		Scale 4=1	Drawn By B.S. Approved By D.L.
Fractional ± .8 (.030)	Title BR/CR/DL 1620/1632 COIN BATTERY HOLDER		
Angular ± 3°	Date 09/14/23	Drawing Number BH600-G	