

A

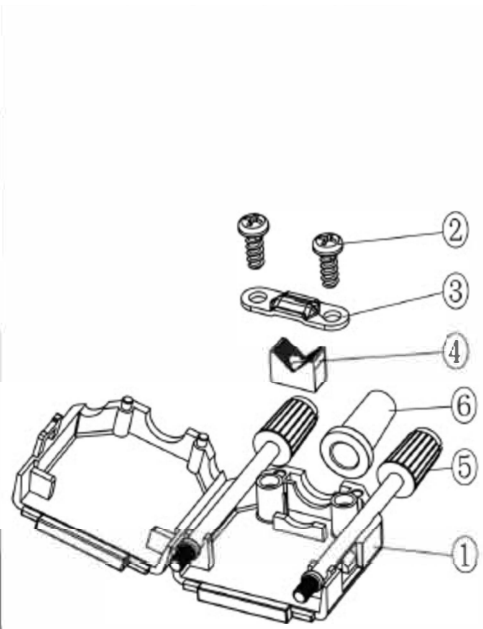
B

C

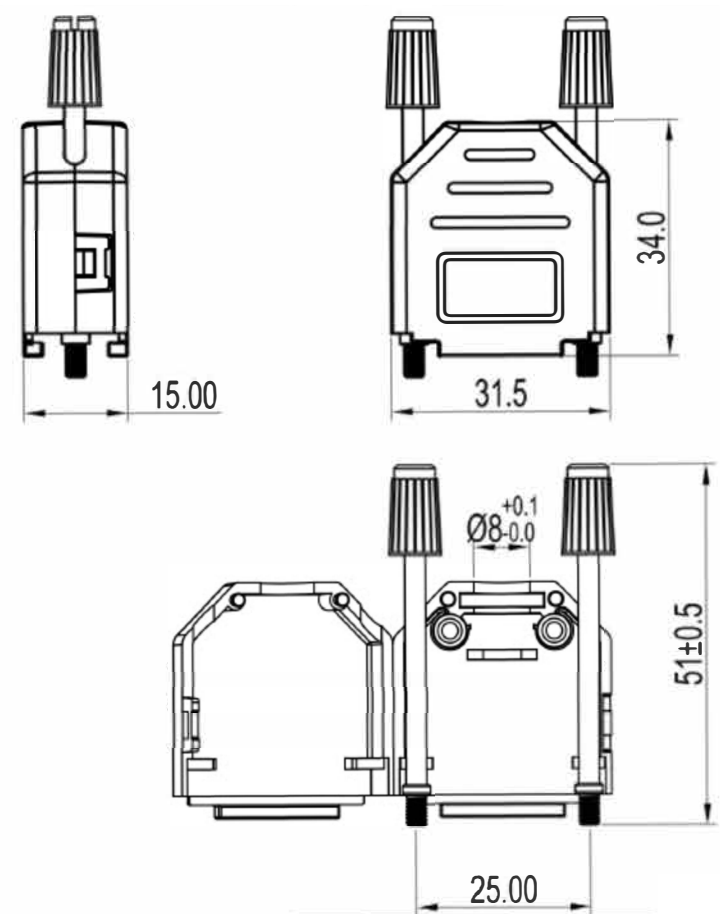
D

E

F



Item	QTY	Part description
1	1	Plastic Cover
2	2	EPS 3x8 Self Tapping Screw
3	1	Cable Clamp
4	1	Plastic Insert
5	2	Jackscrows UNC4-40x51mm
6	1	Rubber Grommet



**TECHNICAL SPECIFICATIONS**  
 Material: Plastic (PA), UL94-HB  
 Colour: Black  
 Operating Temperature: -55°C to +110°C  
 Thumbscrews: UNC 4-40  
 No. of contacts: 09-15-25-37

A

B

C

D



E

F

G

H

**RoHS compliant**  
Unit:mm

Scale	Free					Date	Name	
<b>TOLERANCE</b>						Drawn	17.08.2017	S. Bölling
0~6	±0.10					Approved	14.09.2023	Larsen
6~30	±0.20							
30~120	±0.30	②	EOL ACOV-SUB-50NB9	14.09.2023	Larsen			
120~400	±0.50	①	Update Dimension (page 5)	01.04.2019	M. Rosander			
		①	Drawn	17.08.2017	S. Bölling			
Angle	±1°	Id.	Modification	Date	Name	 A company of 		

Description: D-SUB Cover

ASSMANN WSW-No.  
**ACOV-SUB-09NB9**

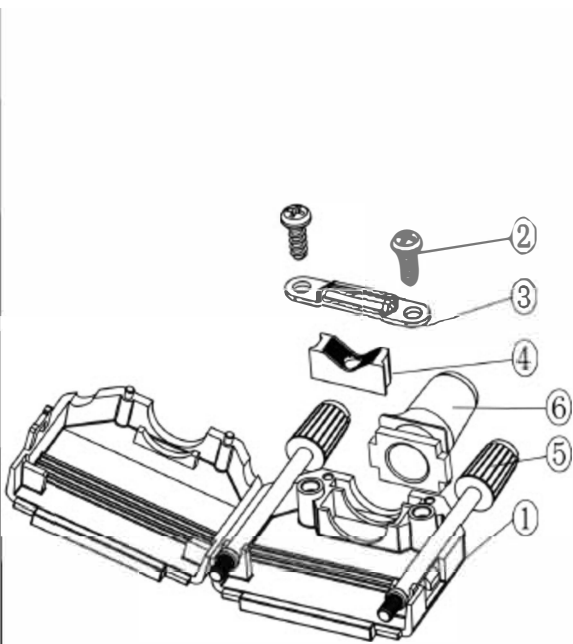
Drawing-No.  
**ASS 5250 CO**

Customer-No.

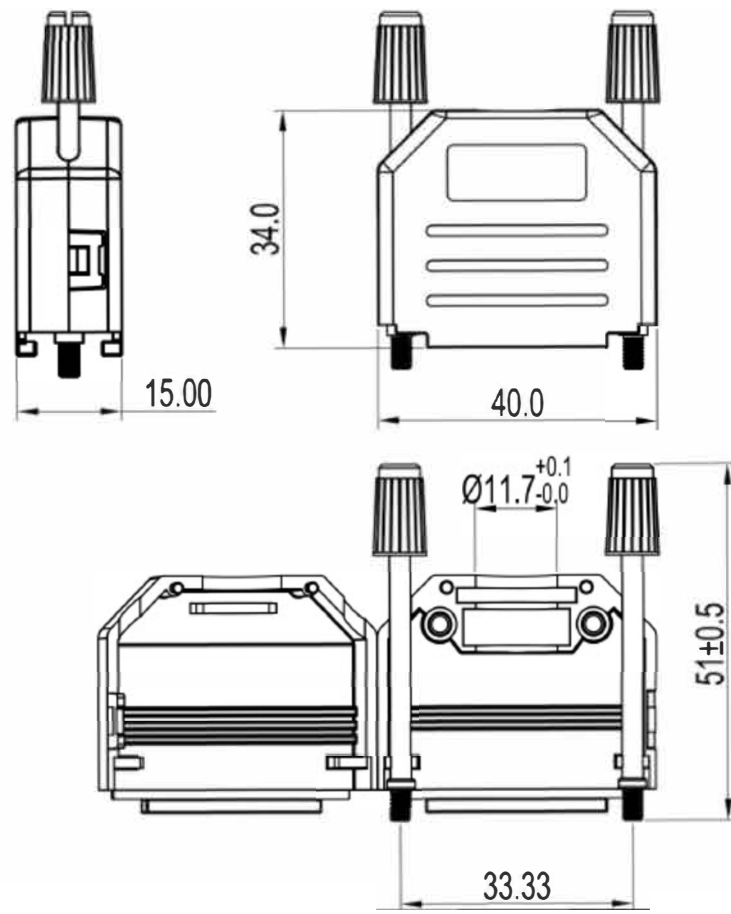
rev02

SHEET  
1/4

A  
B  
C  
D  
E  
F  
G  
H



Item	QTY	Part description
1	1	Plastic Cover
2	2	EPS 3x8 Self Tapping Screw
3	1	Cable Clamp
4	1	Plastic Insert
5	2	Jackscrews UNC4-40x51mm
6	1	Rubber Grommet



TECHNICAL SPECIFICATIONS

Material: Plastic (PA), UL94-HB  
 Colour: Black  
 Operating Temperature: -55°C to +110°C  
 Thumbscrews: UNC 4-40  
 No. of contacts: 09-15-25-37

**RoHS compliant**  
Unit:mm

Scale	Free
TOLERANCE	
0~6	±0.10
6~30	±0.20
30~120	±0.30
120~400	±0.50
Angle	±1°

Id.	Modification	Date	Name	Date	Name
②	EOL ACOV-SUB-50NB9	14.09.2023	Larsen	Approved	14.09.2023
①	Update Dimension (page 5)	01.04.2019	M. Rosander	Drawn	17.08.2017
①	Drawn	17.08.2017	S.Bölling		



Description: D-SUB Cover	
ASSMANN WSW-No. ACOV-SUB-15NB9	
Drawing-No. ASS 5250 CO	rev02
Customer-No.	SHEET 2/4

A  
B  
C  
D  
E  
F  
G  
H

A

A

B

B

C

C

D

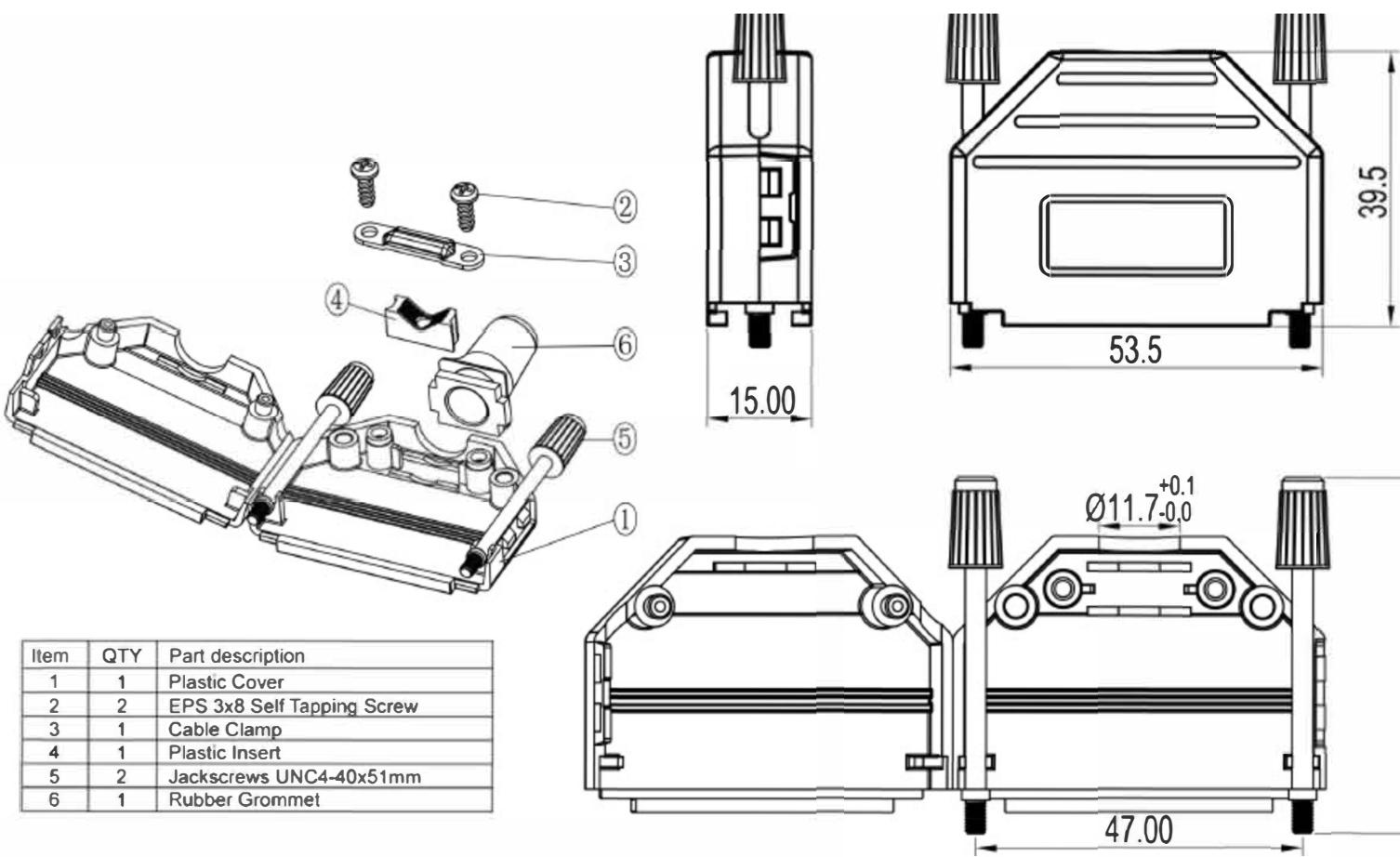
D

E

E

F

F



TECHNICAL SPECIFICATIONS

Material: Plastic (PA), UL94-HB  
 Colour: Black  
 Operating Temperature: -55°C to +110°C  
 Thumbscrews: UNC 4-40

No. of contacts: 09-15-25-37-50

Item	QTY	Part description
1	1	Plastic Cover
2	2	EPS 3x8 Self Tapping Screw
3	1	Cable Clamp
4	1	Plastic Insert
5	2	Jackscrews UNC4-40x51mm
6	1	Rubber Grommet

G



G

H

H

**RoHS compliant**

Unit:mm

Scale	Free				Date	Name	
<b>TOLERANCE</b>					Drawn	17.08.2017	S. Bölling
0~6	±0.10				Approved	14.09.2023	Larsen
6~30	±0.20						
30~120	±0.30	②	EOL ACOV-SUB-50NB9	14.09.2023	Larsen		
120~400	±0.50	①	Update Dimension (page 5)	01.04.2019	M. Rosander		
		①	Drawn	17.08.2017	S. Bölling		
Angle	±1°	Id.	Modification	Date	Name	 A company of 	

Description: D-SUB Cover

ASSMANN WSW-No.  
**ACOV-SUB-25NB9**

Drawing-No.  
**ASS 5250 CO** rev02

Customer-No. SHEET  
 3/4

A

A

B

B

C

C

D

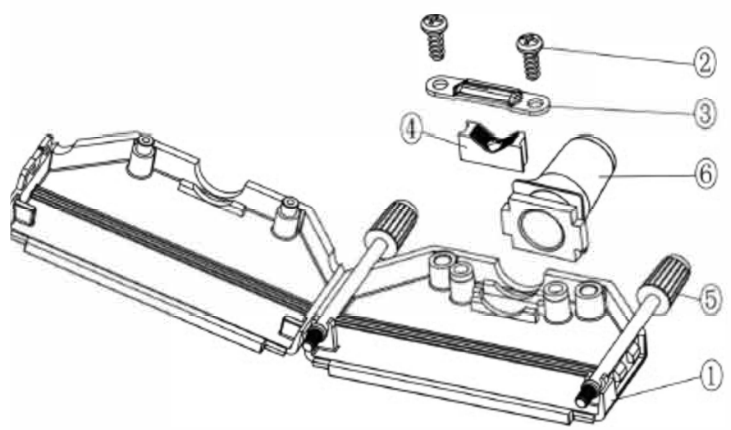
D

E

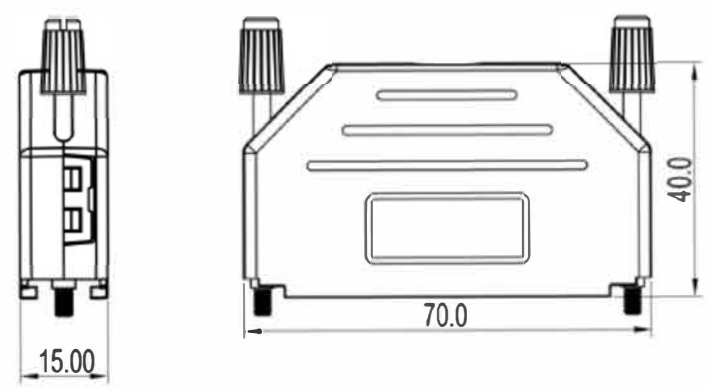
E

F

F

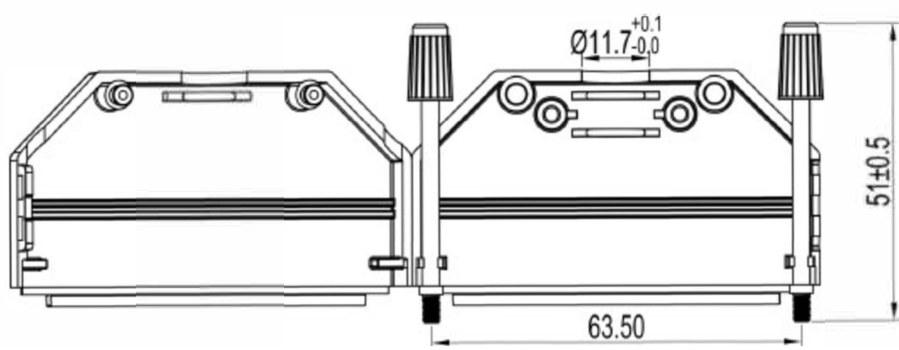


Item	QTY	Part description
1	1	Plastic Cover
2	2	EPS 3x8 Self Tapping Screw
3	1	Cable Clamp
4	1	Plastic Insert
5	2	Jackscrews UNC4-40x51mm
6	1	Rubber Grommet



TECHNICAL SPECIFICATIONS

Material: Plastic (PA), UL94-HB  
 Colour: Black  
 Operating Temperature: -55°C to +110°C  
 Thumbscrews: UNC 4-40  
 No. of contacts: 09-15-25-37



**RoHS compliant**  
 Unit:mm

Scale	Free					Date	Name	
TOLERANCE						Drawn	17.08.2017	S. Bölling
0~6	±0.10					Approved	14.09.2023	Larsen
6~30	±0.20							
30~120	±0.30	②	EOL ACOV-SUB-50NB9	14.09.2023	Larsen			
120~400	±0.50	①	Update Dimension (page 5)	01.04.2019	M. Rosander			
		①	Drawn	17.08.2017	S. Bölling			
Angle	±1°	Id.	Modification	Date	Name	 A company of		

Description: D-SUB Cover

ASSMANN WSW-No.  
**ACOV-SUB-37NB9**

Drawing-No.  
**ASS 5250 CO** rev02

Customer-No. SHEET  
 4/4

G

G

H

H