

RP300

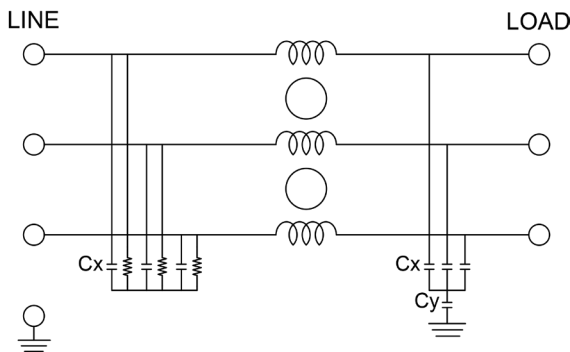
3-PHASE DELTA SINGLE STAGE POWER LINE FILTER

FEATURES

- » Rated currents include **25A, 50A, 55A, 65A, 100A, 150A, 200A, 300A and 500A**
- » Single Stage Line Filter
- » Available with **W** (wire), **S** (studs) and **C** (connectors) option
- » Agency Approved to UL1283 / 60929, CSA C22.2, EN 60939
- » Y-cap value can be adjusted to fit specification

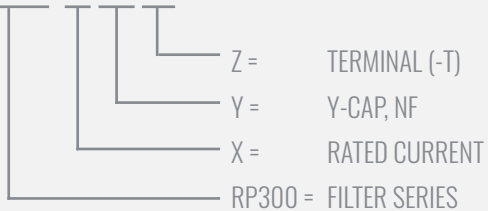


ELECTRICAL SCHEMATIC



HOW TO ORDER

RP300-X-Y-Z



NOTE: USE ANY COMBINATION OF -X (AMPS) WITH ANY -Y RATINGS

E.G. **RP300-6-2.2-QD** (6AMPS WITH 2.2 NF YCAP)

For **X, Y** and **Z** options see product specification table.

SPECIFICATIONS

OPERATING FREQUENCY	50/60Hz
USABLE FREQUENCY	DC - 400 Hz
MAX. OPERATING VOLTAGE*	480V +10%
AMBIENT TEMPERATURE	-25 TO 50°C
CLIMATIC CATEGORY	25/100/21
TERMINALS (-T)	WIRE LEADS
	STUDS 25-55A (M5), 65-100A (M6), 150-200A(M10), 300A(M12), 500A (DUAL M12)
	CONNECTORS

TYP. WEIGHT, LBS (KG) 4.6-24.0 (2.1-10.9)

TYPICAL LEAKAGE CURRENT

@ 480 VAC 60 Hz 0 - 20.0 mA Max.

HIPOT RATINGS

LINE TO GROUND 3500 VDC

TYPICAL APPLICATIONS

- ✓ High Power Rectifiers
- ✓ Uninterrupted Power Supplies
- ✓ Processing Equipment
- ✓ Alternative Energy (EV Charging & Solar)
- ✓ Factory Machinery

RP300

3-PHASE DELTA SINGLE STAGE POWER LINE FILTER

MODEL NO.	RATED CURRENT, A @ 40° C	Y-CAP, nF	LEAKAGE CURRENT mA, @ 480V AC/60 Hz	TERMINAL OPTIONS			MAX. DIMENSIONS" (MM)		
				(W) INPUT/ OUTPUT	(S) INPUT/ OUTPUT	(C) INPUT/ OUTPUT	WIDTH	(LENGTH)	HEIGHT
RP300-25-0-C	25	0	-			✓	*	*	*
RP300-25-0-S	25	0	-		✓		5.90"(150)	9.84"(250)	2.50"(64)
RP300-25-0-W	25	0	-	✓			*	*	*
RP300-25-10-C	25	10	0.10			✓	*	*	*
RP300-25-10-S	25	10	0.10		✓		5.90"(150)	9.84"(250)	2.50"(64)
RP300-25-10-W	25	10	0.10	✓			*	*	*
RP300-25-100-C	25	100	1.00			✓	*	*	*
RP300-25-100-S	25	100	1.00		✓		5.90"(150)	9.84"(250)	2.50"(64)
RP300-25-100-W	25	100	1.00	✓			*	*	*
RP300-25-1000-C	25	1000	10.00			✓	*	*	*
RP300-25-1000-S	25	1000	10.00		✓		5.90"(150)	9.84"(250)	2.50"(64)
RP300-25-1000-W	25	1000	10.00	✓			*	*	*
RP300-25-2000-C	25	2000	20.00			✓	*	*	*
RP300-25-2000-S	25	2000	20.00		✓		5.90"(150)	9.84"(250)	2.50"(64)
RP300-25-2000-W	25	2000	20.00	✓			*	*	*
RP300-50-0-C	50	0	-			✓	*	*	*
RP300-50-0-S	50	0	-		✓		5.90"(150)	9.84"(250)	3.20"(81)
RP300-50-0-W	50	0	-	✓			*	*	*
RP300-50-10-C	50	10	0.10			✓	*	*	*
RP300-50-10-S	50	10	0.10		✓		5.90"(150)	9.84"(250)	3.20"(81)
RP300-50-10-W	50	10	0.10	✓			*	*	*
RP300-50-100-C	50	100	1.00			✓	*	*	*
RP300-50-100-S	50	100	1.00		✓		5.90"(150)	9.84"(250)	3.20"(81)
RP300-50-100-W	50	100	1.00	✓			*	*	*
RP300-50-1000-C	50	1000	10.00			✓	*	*	*
RP300-50-1000-S	50	1000	10.00		✓		5.90"(150)	9.84"(250)	3.20"(81)
RP300-50-1000-W	50	1000	10.00	✓			*	*	*
RP300-50-2000-C	50	2000	20.00			✓	*	*	*
RP300-50-2000-S	50	2000	20.00		✓		5.90"(150)	9.84"(250)	3.20"(81)
RP300-50-2000-W	50	2000	20.00	✓			*	*	*
RP300-55-0-C	55	0	-			✓	*	*	*
RP300-55-0-S	55	0	-		✓		4.25"(108)	8.23"(209)	2.25"(57)
RP300-55-0-W	55	0	-	✓			*	*	*
RP300-55-10-C	55	10	0.10			✓	*	*	*

ADDITIONAL MODEL NO. >>

RP300

3-PHASE DELTA SINGLE STAGE POWER LINE FILTER

MODEL NO.	RATED CURRENT, A @ 40° C	Y-CAP, nF	LEAKAGE CURRENT mA, @ 480V AC/60 Hz	TERMINAL OPTIONS			MAX. DIMENSIONS" (MM)		
				(W) INPUT/OUTPUT	(S) INPUT/OUTPUT	(C) INPUT/OUTPUT	WIDTH	(LENGTH)	HEIGHT
RP300-55-10-S	55	10	0.10		✓		4.25"(108)	8.23"(209)	2.25"(57)
RP300-55-10-W	55	10	0.10	✓			*	*	*
RP300-55-100-C	55	100	1.00			✓	*	*	*
RP300-55-100-S	55	100	1.00		✓		4.25"(108)	8.23"(209)	2.25"(57)
RP300-55-100-W	55	100	1.00	✓			*	*	*
RP300-55-1000-C	55	1000	10.00			✓	*	*	*
RP300-55-1000-S	55	1000	10.00		✓		4.25"(108)	8.23"(209)	2.25"(57)
RP300-55-1000-W	55	1000	10.00	✓			*	*	*
RP300-55-2000-C	55	2000	20.00			✓	*	*	*
RP300-55-2000-S	55	2000	20.00		✓		4.25"(108)	8.23"(209)	2.25"(57)
RP300-55-2000-W	55	2000	20.00	✓			*	*	*
RP300-65-0-C	65	0	-			✓	*	*	*
RP300-65-0-S	65	0	-		✓		4.25"(108)	8.62"(219)	2.25"(57)
RP300-65-0-W	65	0	-	✓			*	*	*
RP300-65-10-C	65	10	0.10			✓	*	*	*
RP300-65-10-S	65	10	0.10		✓		4.25"(108)	8.62"(219)	2.25"(57)
RP300-65-10-W	65	10	0.10	✓			*	*	*
RP300-65-100-C	65	100	1.00			✓	*	*	*
RP300-65-100-S	65	100	1.00		✓		4.25"(108)	8.62"(219)	2.25"(57)
RP300-65-100-W	65	100	1.00	✓			*	*	*
RP300-65-1000-C	65	1000	10.00			✓	*	*	*
RP300-65-1000-S	65	1000	10.00		✓		4.25"(108)	8.62"(219)	2.25"(57)
RP300-65-1000-W	65	1000	10.00	✓			*	*	*
RP300-65-2000-C	65	2000	20.00			✓	*	*	*
RP300-65-2000-S	65	2000	20.00		✓		4.25"(108)	8.62"(219)	2.25"(57)
RP300-65-2000-W	65	2000	20.00	✓			*	*	*
RP300-100-0-C	100	0	-			✓	6.48"(165)	16.39"(416)	3.50"(89)
RP300-100-0-S	100	0	-		✓		6.48"(165)	15.75"(400)	3.50"(89)
RP300-100-0-W	100	0	-	✓			*	*	*
RP300-100-10-C	100	10	0.10			✓	6.48"(165)	16.39"(416)	3.50"(89)
RP300-100-10-S	100	10	0.10		✓		6.48"(165)	15.75"(400)	3.50"(89)
RP300-100-10-W	100	10	0.10	✓			*	*	*
RP300-100-100-C	100	100	1.00			✓	6.48"(165)	16.39"(416)	3.50"(89)
RP300-100-100-S	100	100	1.00		✓		6.48"(165)	15.75"(400)	3.50"(89)

ADDITIONAL MODEL NO. >>

RP300

3-PHASE DELTA SINGLE STAGE POWER LINE FILTER

MODEL NO.	RATED CURRENT, A @ 40° C	Y-CAP, nF	LEAKAGE CURRENT mA, @ 480V AC/60 Hz	TERMINAL OPTIONS			MAX. DIMENSIONS" (MM)		
				(W) INPUT/OUTPUT	(S) INPUT/OUTPUT	(C) INPUT/OUTPUT	WIDTH	(LENGTH)	HEIGHT
RP300-100-100-W	100	100	1.00	✓			*	*	*
RP300-100-1000-C	100	1000	10.00			✓	6.48"(165)	16.39"(416)	3.50"(89)
RP300-100-1000-S	100	1000	10.00		✓		6.48"(165)	15.75"(400)	3.50"(89)
RP300-100-1000-W	100	1000	10.00	✓			*	*	*
RP300-100-2000-C	100	2000	20.00			✓	6.48"(165)	16.39"(416)	3.50"(89)
RP300-100-2000-S	100	2000	20.00		✓		6.48"(165)	15.75"(400)	3.50"(89)
RP300-100-2000-W	100	2000	20.00	✓			*	*	*
RP300-150-0-C	150	0	-			✓	*	*	*
RP300-150-0-S	150	0	-		✓		6.40"(163)	12.99"(330)	4.50"(114)
RP300-150-0-W	150	0	-	✓			*	*	*
RP300-150-10-C	150	10	0.10			✓	*	*	*
RP300-150-10-S	150	10	0.10		✓		6.40"(163)	12.99"(330)	4.50"(114)
RP300-150-10-W	150	10	0.10	✓			*	*	*
RP300-150-100-C	150	100	1.00			✓	*	*	*
RP300-150-100-S	150	100	1.00		✓		6.40"(163)	12.99"(330)	4.50"(114)
RP300-150-100-W	150	100	1.00	✓			*	*	*
RP300-150-1000-C	150	1000	10.00			✓	*	*	*
RP300-150-1000-S	150	1000	10.00		✓		6.40"(163)	12.99"(330)	4.50"(114)
RP300-150-1000-W	150	1000	10.00	✓			*	*	*
RP300-150-2000-C	150	2000	20.00			✓	*	*	*
RP300-150-2000-S	150	2000	20.00		✓		6.40"(163)	12.99"(330)	4.50"(114)
RP300-150-2000-W	150	2000	20.00	✓			*	*	*
RP300-200-0-C	200	0	-			✓	*	*	*
RP300-200-0-S	200	0	-		✓		6.40"(163)	15.99"(406)	4.50"(114)
RP300-200-0-W	200	0	-	✓			*	*	*
RP300-200-10-C	200	10	0.10			✓	*	*	*
RP300-200-10-S	200	10	0.10		✓		6.40"(163)	15.99"(406)	4.50"(114)
RP300-200-10-W	200	10	0.10	✓			*	*	*
RP300-200-100-C	200	100	1.00			✓	*	*	*
RP300-200-100-S	200	100	1.00		✓		6.40"(163)	15.99"(406)	4.50"(114)
RP300-200-100-W	200	100	1.00	✓			*	*	*
RP300-200-1000-C	200	1000	10.00			✓	*	*	*
RP300-200-1000-S	200	1000	10.00		✓		6.40"(163)	15.99"(406)	4.50"(114)
RP300-200-1000-W	200	1000	10.00	✓			*	*	*

ADDITIONAL MODEL NO. >>

RP300

3-PHASE **DELTA** SINGLE STAGE POWER LINE FILTER

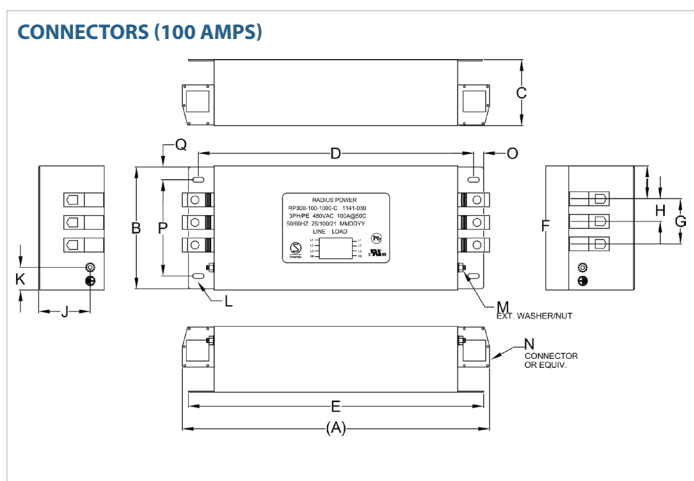
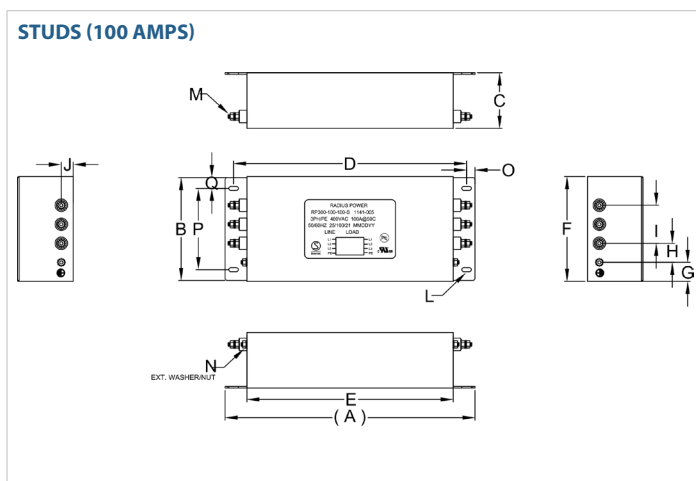
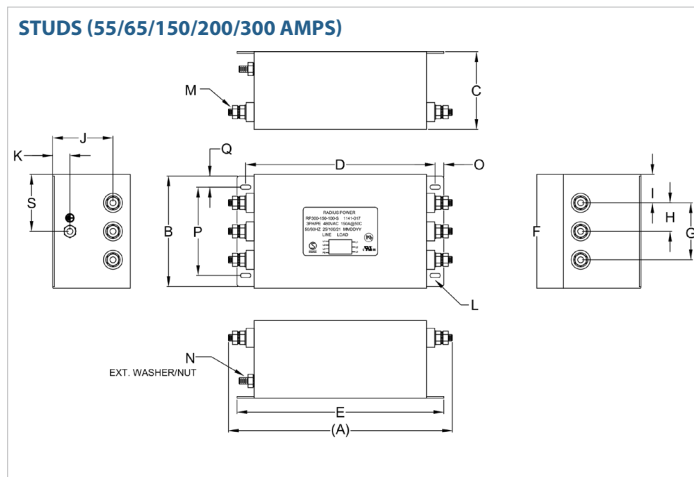
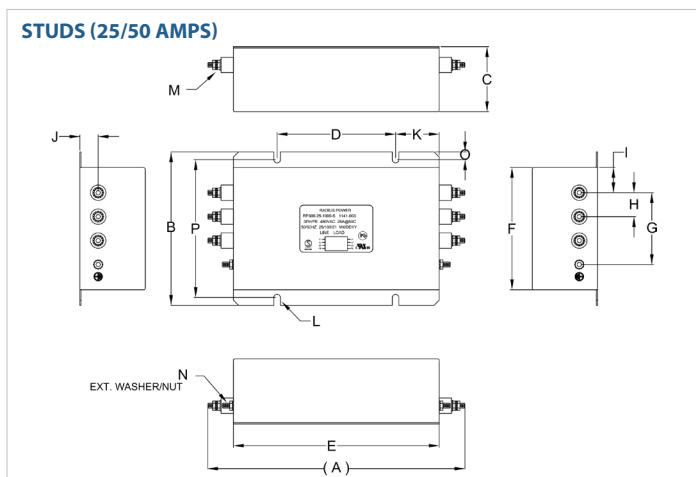
MODEL NO.	RATED CURRENT, A @ 40° C	Y-CAP, nF	LEAKAGE CURRENT mA, @ 480V AC/60 Hz	TERMINAL OPTIONS			MAX. DIMENSIONS" (MM)		
				(W) INPUT/ OUTPUT	(S) INPUT/ OUTPUT	(C) INPUT/ OUTPUT	WIDTH	(LENGTH)	HEIGHT
RP300-200-2000-C	200	2000	20.00			✓	*	*	*
RP300-200-2000-S	200	2000	20.00		✓		6.40"(163)	15.99"(406)	4.50"(114)
RP300-200-2000-W	200	2000	20.00	✓			*	*	*
RP300-300-0-S	300	0	-		✓		6.40"(163)	15.99"(406)	4.50"(114)
RP300-300-10-S	300	10	0.10		✓		6.40"(163)	15.99"(406)	4.50"(114)
RP300-300-100-S	300	100	1.00		✓		6.40"(163)	15.99"(406)	4.50"(114)
RP300-300-1000-S	300	1000	10.00		✓		6.40"(163)	15.99"(406)	4.50"(114)
RP300-300-2000-S	300	2000	20.00		✓		6.40"(163)	15.99"(406)	4.50"(114)
RP300-500-0-S	500	0	-		✓		9.35"(238)	18.54"(471)	4.50"(114)
RP300-500-10-S	500	10	0.10		✓		9.35"(238)	18.54"(471)	4.50"(114)
RP300-500-100-S	500	100	1.00		✓		9.35"(238)	18.54"(471)	4.50"(114)
RP300-500-1000-S	500	1000	10.00		✓		9.35"(238)	18.54"(471)	4.50"(114)
RP300-500-2000-S	500	2000	20.00		✓		9.35"(238)	18.54"(471)	4.50"(114)

*Contact factory for dimensions.

RP300

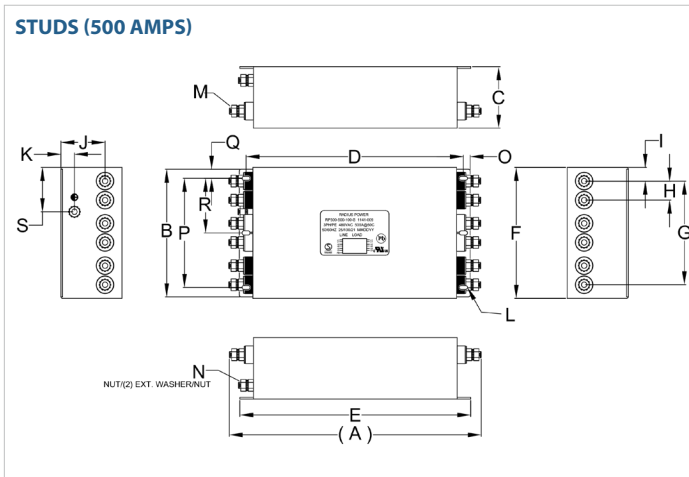
3-PHASE DELTA SINGLE STAGE POWER LINE FILTER

RP300 MECHANICAL OUTLINES (MM)



RP300

3-PHASE DELTA SINGLE STAGE POWER LINE FILTER



SERIES	(A)	B	C	D	E	F	G	H	I	J	K	L	M	N	O	P	Q	R	S
STUDS (25A)	9.84" (250)	5.90" (150)	2.50" (64)	4.53" (115)	7.87" (200)	4.70" (119)	2.76" (70)	0.92" (23)	0.97" (25)	0.70" (18)	1.67" (42)	Ø0.42"x6.4,4x Ø10.8x6.4, 4x	STUD, M5, 6x	STUD, GND, M5	0.30" (8)	5.30" (135)	N/A	N/A	N/A
STUDS (50A)	9.84" (250)	5.90" (150)	3.20" (81)	4.53" (115)	7.87" (200)	4.70" (119)	2.76" (70)	0.92" (23)	0.97" (25)	1.25" (32)	1.67" (42)	Ø0.29"x6.4,4x Ø7.6x6.4, 4x	STUD, M5, 6x	STUD, GND, M5, 2x	0.30" (8)	5.30" (135)	N/A	N/A	N/A
STUDS (55)	8.23" (209)	4.25" (108)	2.25" (57)	7.00" (178)	7.76" (197)	4.25" (108)	2.63" (67)	1.31" (33)	0.81" (21)	1.70" (43)	0.70" (18)	Ø0.59"x6.5,4x Ø10.1x5.1, 4x	STUD, M5, 6x	STUD, GND, M5	0.38" (10)	3.50" (89)	0.38" (10)	N/A	2.13" (54)
STUDS (65A)	8.62" (219)	4.25" (108)	2.25" (57)	7.00" (178)	7.75" (197)	4.25" (108)	2.63" (67)	1.31" (33)	0.81" (21)	1.70" (43)	0.70" (18)	Ø0.39"x5.1,4x Ø10.1x5.1, 4x	STUD, M6, 6x	STUD, GND, M6	0.37" (10)	3.50" (89)	0.37" (10)	N/A	N/A
STUDS (100A)	15.75" (400)	6.48" (165)	3.50" (89)	14.69" (373)	13.00" (330)	6.60" (168)	1.20" (31)	1.20" (31)	2.40" (61)	0.75" (19)	N/A	Ø0.59"x6.5,4x Ø15.2x6.5, 4x	STUD, M6, 6x	STUD, GND, M6, 2x	0.53" (14)	5.12" (130)	0.68" (17)	N/A	N/A
CONNECT. (100A)	16.39" (416)	6.48" (165)	3.50" (89)	14.69" (373)	15.75" (400)	6.48" (165)	2.40" (61)	1.20" (31)	1.75" (45)	2.75" (70)	1.20" (31)	Ø0.59"x6.5,4x Ø15.2x6.5, 4x	STUD, GND, M6, 2x	PHOENIX HDFK-50, 6x	0.53" (14)	5.12" (130)	0.68" (17)	N/A	N/A
STUDS (150A)	12.99" (330)	6.40" (163)	4.50" (114)	11.00" (279)	12.00" (305)	6.61" (168)	3.30" (84)	1.65" (42)	1.65" (42)	3.50" (89)	1.00" (25)	Ø0.59"x6.4,4x Ø15.2x6.4, 4x	STUD, M10, 6x	STUD, GND, M10	0.50" (13)	5.12" (130)	0.64" (16)	N/A	3.30" (84)
STUDS (200/300A)	15.99" (406)	6.40" (163)	4.50" (114)	14.69" (373)	15.75" (400)	6.60" (168)	3.30" (84)	1.65" (42)	1.65" (42)	3.50" (89)	1.00" (25)	Ø0.59"x6.6,4x Ø15.2x6.6, 4x	STUD, M10, 6x	STUD, GND, M10	0.53" (14)	5.12" (130)	0.64" (16)	N/A	3.30" (84)
STUDS (500A)	18.54" (471)	9.35" (238)	4.50" (114)	16.00" (406)	17.00" (432)	9.24" (235)	7.60" (193)	1.40" (36)	1.00" (25)	3.25" (83)	1.00" (25)	Ø0.59"x7.6,4x Ø15.2x7.6, 6x	STUD, M12, 12x	STUD, GND, M12	0.50" (13)	8.00" (203)	0.67" (17)	4.00" (102)	3.25" (83)

TYPICAL TOLERANCE: +/-0.02" (0.50MM)

RP300

3-PHASE DELTA SINGLE STAGE POWER LINE FILTER

TYPICAL INSERTION LOSS, dB (50/50 Ohm)

Amps	Freq (MHz)	0.15	0.5	1.0	10	30
25	CM (dB)	75	75	75	60	50
	DM (dB)	60	75	75	68	50
50	CM (dB)	65	75	70	55	50
	DM (dB)	50	75	75	75	65
55	CM (dB)	55	70	70	65	45
	DM (dB)	65	75	75	75	50
65	CM (dB)	55	70	70	65	45
	DM (dB)	65	75	75	75	50
100	CM (dB)	70	75	75	60	50
	DM (dB)	50	75	75	60	55
150	CM (dB)	50	70	60	48	40
	DM (dB)	50	75	70	45	45
200	CM (dB)	48	70	60	48	40
	DM (dB)	50	75	70	45	45
300	CM (dB)	60	50	50	45	40
	DM (dB)	50	45	45	40	30
500	CM (dB)	60	50	50	45	40
	DM (dB)	50	45	45	40	30