

NOTES:

1. MATERIALS:

- CENTER CONTACT - PHOSPHOR BRONZE, GOLD PLATING
- BODY - BRASS, NICKEL PLATING
- INSULATORS (2) - PBT, WHITE
- PIN(2) - BRASS, NICKEL PLATING
- LOCK WASHER - BRASS, NICKEL PLATING

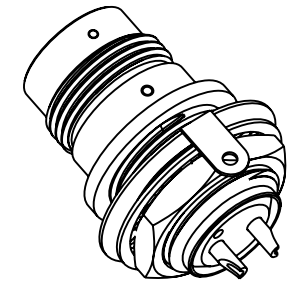
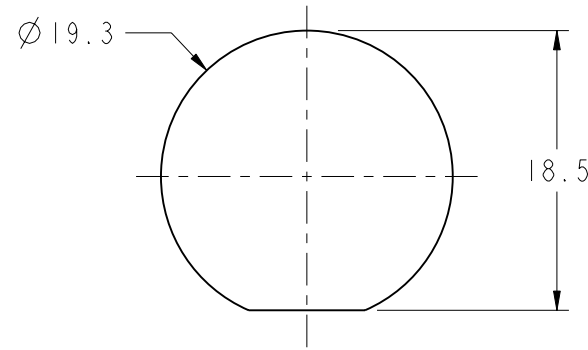
2. PACKAGING:

- A. QUANTITY: SINGLE PACK
- B. MARKING: BAG TO BE MARKED
"AMPHENOL, TWX6351BI-NPB3G-95, AND DATE CODE"

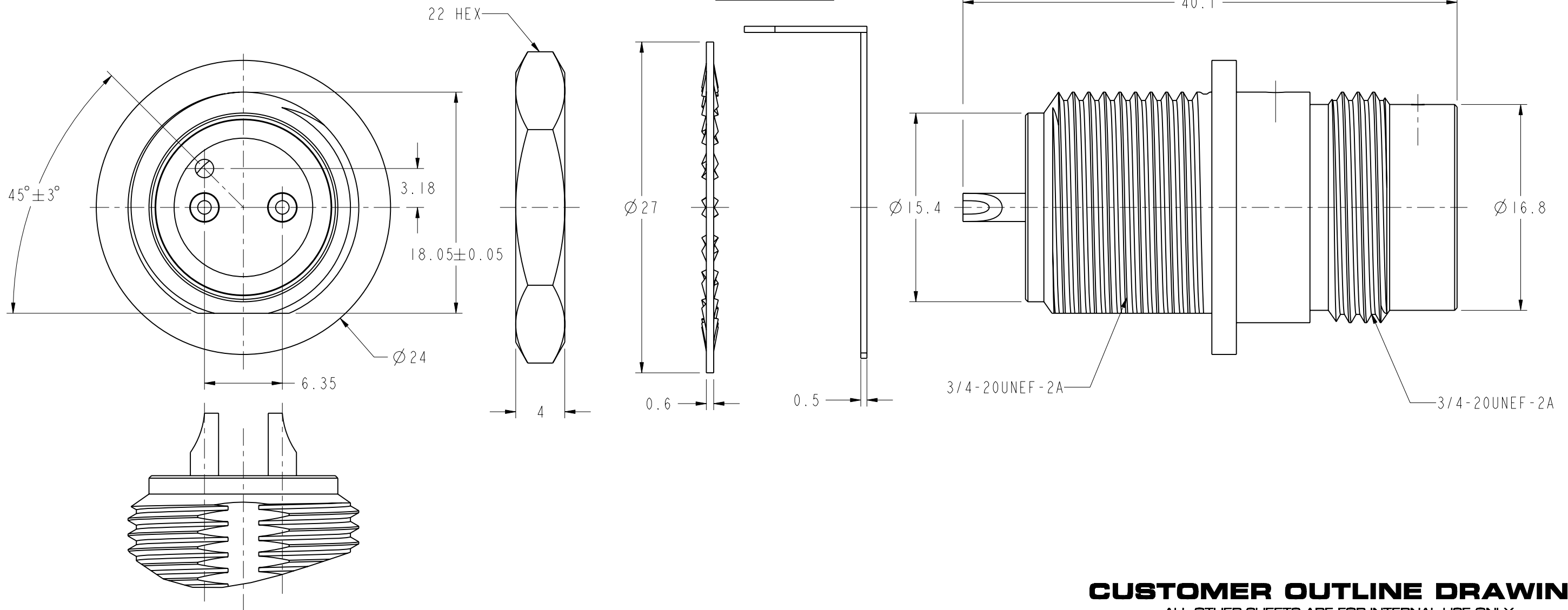
THIRD ANGLE PROJ.

REVISIONS

REV	DESCRIPTION	DATE	ECO	APPR
A	RELEASE TO MFG.	05-05-05'	--	JEFF
B	SEE SHEET 1	25-May-00	43204	CPM
C	SYNCHRONIZE IN ARFA \RD-DMI5071501S2	14-Jul-15	50652	J.C



RECOMMENDED MOUNTING HOLE



CUSTOMER OUTLINE DRAWING

ALL OTHER SHEETS ARE FOR INTERNAL USE ONLY

<p>UNLESS OTHERWISE SPECIFIED, DIMENSIONS ARE IN METRIC AND TOLERANCES ARE: < 0.5mm ± 0.05mm 0.5 - 6mm ± 0.1mm 6 - 30mm ± 0.2mm 30 - 120mm ± 0.3mm ANGLES ± 1°</p> <p>NOTICE - These drawings, specifications, or other data (1) are, and remain the property of Amphenol corp. (2) must be returned upon request; and (3) are confidential and not to be disclosed to any person other than those to whom they are given by Amphenol Corp. the furnishing of these drawings, specifications, or other data by Amphenol Corp., or to any other person for any purpose is not to be regarded by implication or otherwise in any manner licensing, granting rights to permitting such holder or any other person to manufacture, use or sell any product, process or design, patented or otherwise, that may in any way be related to or disclosed by said drawings, specifications, or other data.</p>	MATERIAL	DRAWN	DATE	TITLE	<p>Amphenol RF</p> <p>www.amphenolrf.com</p>	
	-	S. DUAN	14-Jul-15			TWINAXIAL BULKHEAD RECEPT. JACK
	REFERENCE AND CONFIGURATION LEVEL: In Work	ENGINEER	DATE	SCALE: 1.0:1.0 SHEET 2 OF 2		DRAWING NO. TWX6351BI-NPB3G-95
	FINISH	APPROVED	DATE	DWG SIZE B REV C		ITEM NO. 206351AAA01MA9F
		S. HSIEH	21-Jul-15		PART NO. 82-5590-RFX	