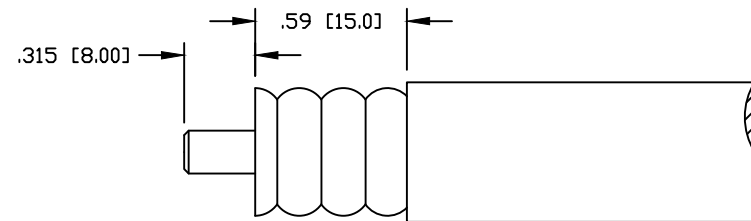
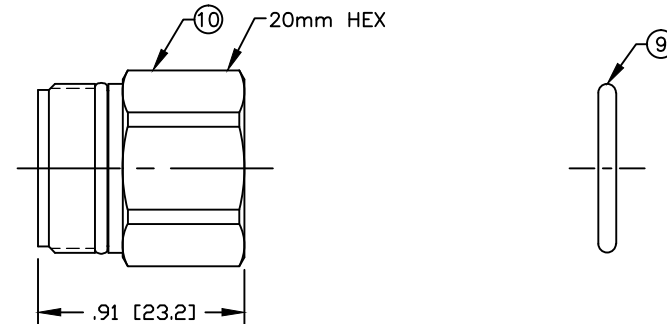
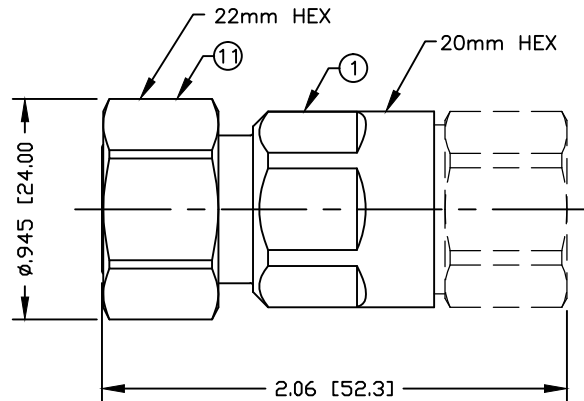


PART NO.

RFD-43MSC-H1

REV	DESCRIPTION	DWN	DATE	APPROVED
A	UPDATED TRIM TOOL P/N	CZS	07/19/19	JDMc



RECOMMENDED STRIPING DIMENSIONS

USE OF CABLE TRIM TOOL IS RECOMMENDED
 USE COMPATIBLE TRIM TOOL SUCH AS TRIM-SET-C12-C02

SPECIFICATIONS:

INTERFACE: IEC61169-54
 IMPEDANCE: 50 Ohms
 FREQUENCY RANGE: 0-6 GHz
 VSWR: <1.10:1 THRU 3GHz
 PIM: <-160 dBc
 INSULATION RESISTANCE: 5000MOHMS
 TEMPERATURE RANGE: -30°C TO 85°C
 MECHANICAL DURABILITY: 500 CYCLES
 FOR LCF12-50JFN, LDF4-50A, ICA12-50JPL, PD353784 & SPF CABLE

11	SHELL	1	BRASS	WHITE BRONZE
10	BACK NUT	1	BRASS	WHITE BRONZE
9	O-RING	1	RUBBER	---
8	RETAINING RING	1	BeCu	WHITE BRONZE
7	O-RING	1	RUBBER	---
6	COLLET RING	1	BeCu	WHITE BRONZE
5	CLAMP	1	BRASS	WHITE BRONZE
4	BEAD	1	ABS	---
3	PIN	1	PHOS. BRONZE	SILVER
2	INSULATOR	1	PTFE	---
1	BODY	1	BRASS	WHITE BRONZE

#	DESCRIPTION	QTY	MATERIAL	FINISH
---	-------------	-----	----------	--------

CUSTOMER
OUTLINE DRAWINGALL DIMENSIONS
ARE REFERENCE ONLYUNLESS OTHERWISE SPECIFIED:
DIMENSIONS ARE IN INCHES
AND [MILLIMETERS]DRAWN
C. ZUNIGA 07/19/19
CHECKEDORJ DRAWN
C. ZUNIGA 05/31/17**RoHS
COMPLIANT**

PROPRIETARY AND CONFIDENTIAL
 THIS DRAWING CONTAINS
 INFORMATION PROPRIETARY TO
 RF INDUSTRIES. ANY
 UNAUTHORIZED USE OF THIS
 DRAWING IS EXPRESSLY
 PROHIBITED WITHOUT WRITTEN
 PERMISSION FROM RF
 INDUSTRIES. ANY VIOLATION IS
 PUNISHABLE UNDER U.S.
 COPYRIGHT LAWS.

RFconnectors7610 MIRAMAR RD.
SAN DIEGO, CA 92126
(858) 549-6340
DIVISION OF RF INDUSTRIES, LTD. (858) 549-6345 FAX**4.3/10 MALE CAPTIVATED CLAMP**

FOR 1/2" FLEXIBLE CORRUGATED CABLE

SIZE	CABLE GROUP	DWG NO.	REVISION
A	H1	RFD-43MSC-H1	A
SCALE:	ENGINEERING ID:	1787	SHEET 1 OF 1
NTS			