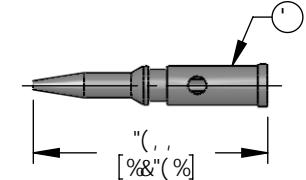
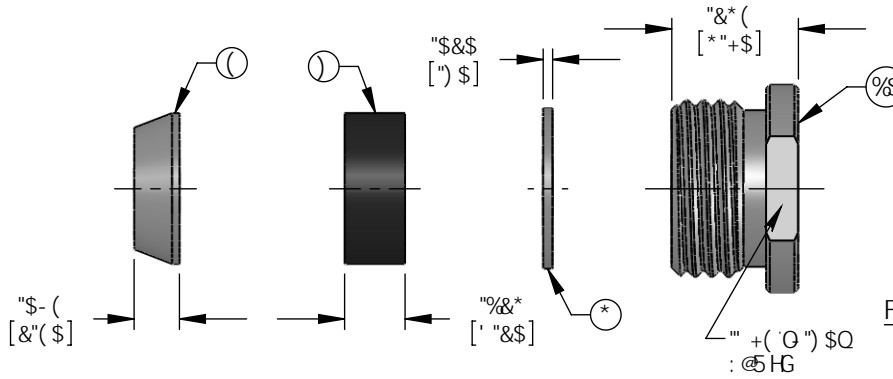
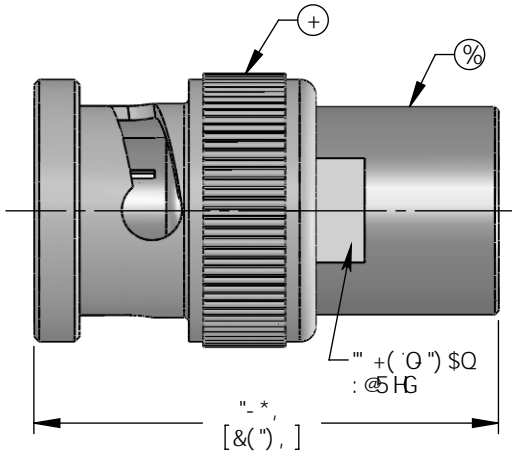
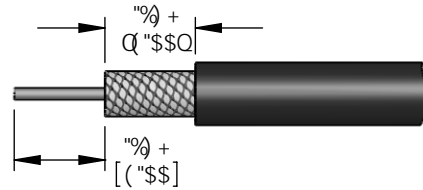


# F: 6!%/\$\$! 6

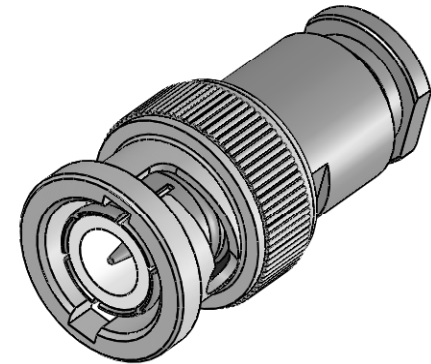
F9J	89G7 F-DHC B	85H9	5DDF
6%	7 CBJ 9FH98 8F5K B; : CFA 5HHC GK	\$- #\$( #\$,	>8A



F97 C A A 9B898 7 F A D 8 9. "\$\*, "



F97 C A A 9B898 GF-DDB; B-GFI 7 HC BG



&.%

GD97 ÷ 7 5 HC BG

A D985B79.) \$C \a g  
 : F9E I 9B7 MF5B; 9. \$( ; <n  
 J GK F. "% A 5L"  
 BGI @HC B F9GGH5B79.) A C \a ga ]b"  
 H9A D9F5H F9F5B; 9. !\*) °7 HC ; ) °7  
 B G9FHCB @CGFK6L "\$\* X6A 5L "I VZ] <n  
 K CF? B; J C @5; 9.) \$\$J fa gA UI "4 GYU @j Y"  
 : C F F; !%( z%, z%, 5z' %\* # z5 @ <5 - %+( z- ' %\* z  
 ...69@89B, &%z, ' &\* - z, ' &, (z, (' % / HA 9G @A F!%\$5 756@

%&	F9H5-B-B; F-B;	\$&!%A!\$\$&!6B	6fUgg	B-7?9@	%
%%	GDF-B; K 5G<9F	\$) %!%A!\$\$%GB	6fUgg	B-7?9@	%
%%	657? BI H	\$( !%A!\$\$%GB	6fUgg	: B-6<	%
-	6B7; 5G?9H	\$, !%A!\$\$%@	G@7 C B9FI 669F	F98	%
,	K 5G<9F	\$% !%A!\$\$&!6B	6fUgg	B-7?9@	%
+	6B7 G<9@	\$% !%A!\$\$!6B	6fUgg	B-7?9@	%
*	K 5G<9F	\$% !%A!\$\$!6B	6fUgg	B-7?9@	%
)	; 5G?9H	\$&&LLL!\$\$!@	G@7 C B9FI 669F	BCB9	%
(	6F5-8 7 @A D	\$&&LLL!\$\$!6B	6fUgg	B-7?9@	%
'	D-B	\$\$-!%A!\$\$!6B	6fUgg	: C @	%
&	BGI @HC F	\$\$!%A!\$\$!HL	DH 9	BCB9	%
%	6C 8M	\$\$%A!\$\$!6B	6fUgg	: B-6<	%
	89G7 F-DHC B	D5FHBI A 69F	A 5HF-5@	: B-6<	E HM

**TQJU**  
7 C A D @5 BH

1 B @9GCH 9FK @9GD97 ÷ 98.	8-A 9BGC BGF9-B B7 <9G
5 @8 A 9BGC G5F9: CF "	F9. 9F9B79CB @M
756@: FCTD	6
7C89	\$%) *\$

	B5A 9	85H9
8F5K B	7 "N B ÷ 5	\$- #\$( #\$,
7 <97?98		
9B: 5DDF"		
D F C D F - 9 5 F M 5 B 8 7 C B : - 8 9 B H 5 @		
H: 9 B: CFA 5HC B 7 C B H 5 B 98 B		
H: 68F5K B: G H: 9 C @		
D F C D 9 F H M C :		
F: B81 GF 9G " 5 B M		
F9DFC 81 7 HC B B		
D5FHCF 5G5 K < C @K H: C I H: K 9		
K F H 9 B D 9 F A G G C B C : F :		
B81 GF 9G GGF 7 H M D F C < 6 + 98 "		

**THRFWVTKGU**

9832 O K T C O C T T F O U C P F K I Q . E C O ; 4348  
: 7: /76; /8562 " E C Z " : 7: /76; /8567

H H @ .  
6B7 'D@ ; z7 @5A D

G A 9	8K ; "BC"	F9J
5	F: 6!%/\$\$! 6	6%
G7 5 @. BHG	BC H 9G	G<99H% C : %