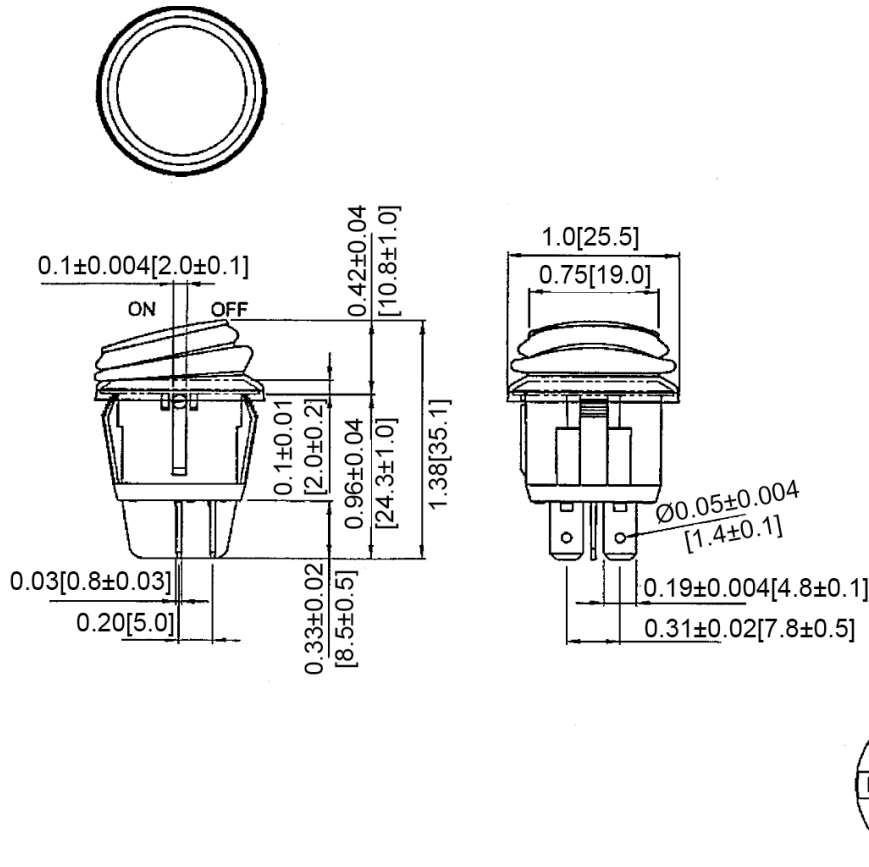
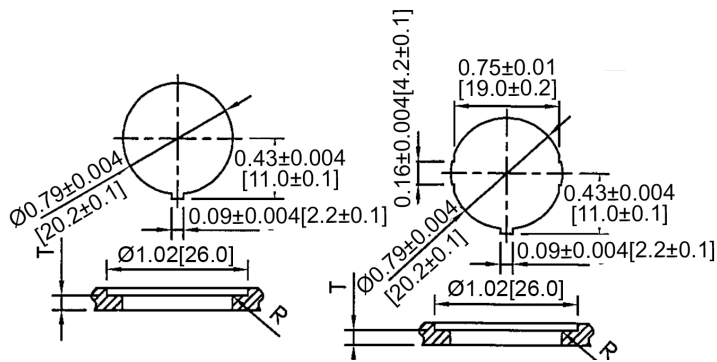


Mechanical Dimensions: Inches [mm]

Tolerances ± 0.012 [0.3] Unless Otherwise Specified



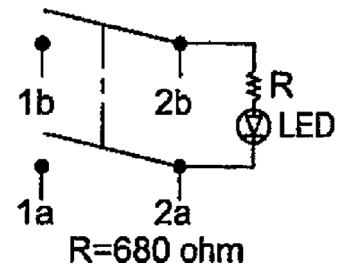
Mounting Hole



Thickness: 0.06~0.1 [1.5 ~ 2.5] | 0.03~0.1 [0.7~2.5]

Circuit Diagram

4P DPST OFF-ON (LED-D)



Electrical Specifications

| | |
|-----------------------|----------------------|
| Rating | 20A 14V DC |
| Contact Resistance | 50m ohm Max |
| Insulation Resistance | DC 500V 100M ohm Min |
| Dielectric Strength | AC 1500V 1 minute |
| Operation Temperature | -25°C~85°C |

Material Specifications

| | |
|------------|-------------------------|
| Frame | Black, Nylon#66 (94-V2) |
| Actuator | Green, PC |
| LED | Green (Dependent) |
| Waterproof | IP65 |

| Rev | Date of issue | Revision Notes | Designed | Approved |
|-----|---------------|-----------------|----------|----------|
| B | 07-13-2021 | Initial Drawing | RC | OF |