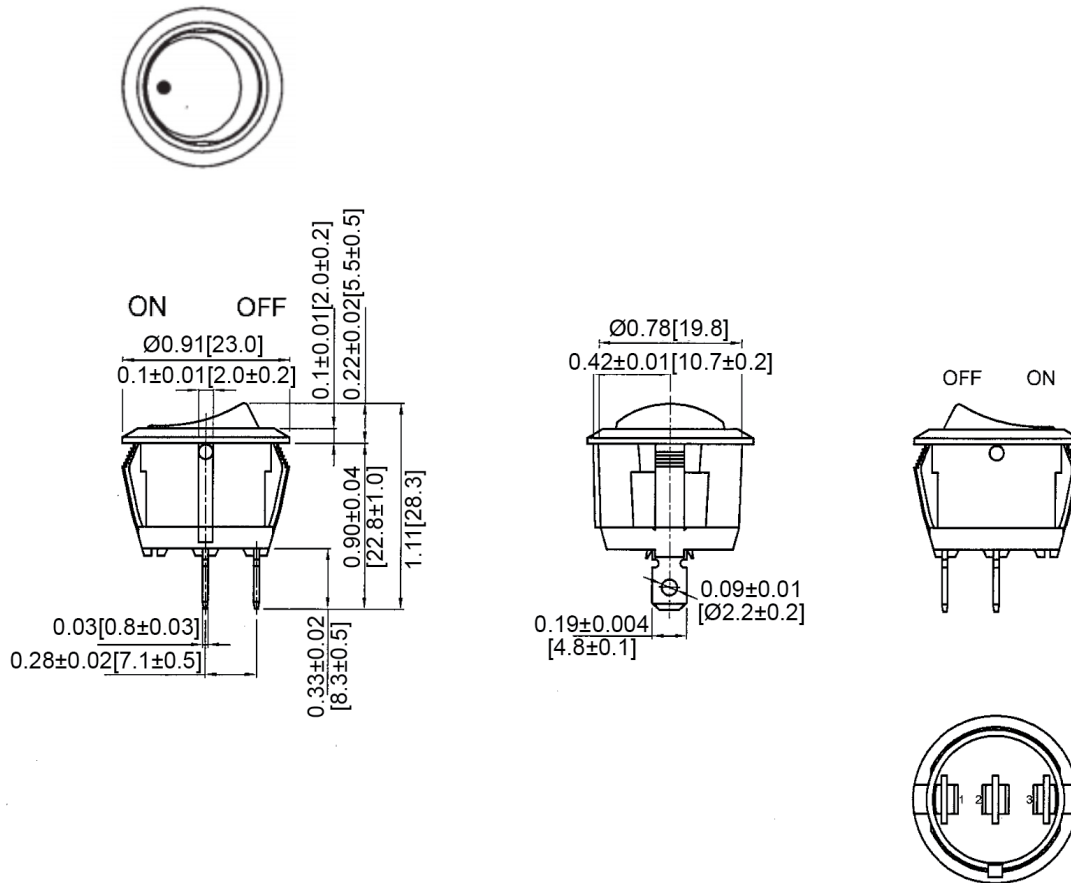
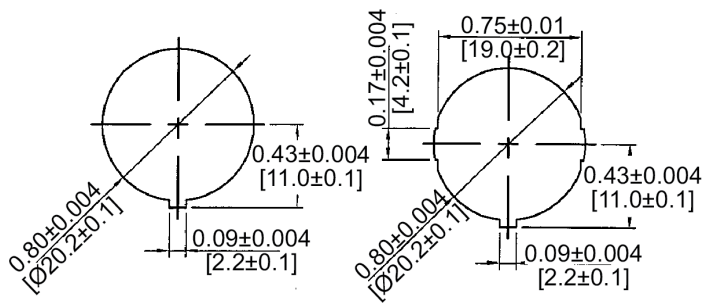


Mechanical Dimensions: Inches [mm]

Tolerances ± 0.012 [0.3] Unless Otherwise Specified



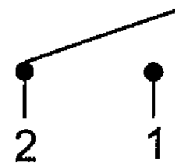
Mounting Hole



Thickness: $0.1 \sim 0.12 [2.0 \sim 3.0]$ | $0.03 \sim 0.12 [0.7 \sim 3.0]$

Circuit Diagram

2P SPST OFF-ON



Electrical Specifications

DC Rating	20A 14V DC, 10A 28V DC
AC Rating	16A 125V AC, 10A 250V AC 10(4)A 125/250V AC
Contact Resistance	50m ohm Max
Insulation Resistance	DC 500V 100M ohm Min
Dielectric Strength	AC 1500V 1 minute

Material Specifications

Frame	Black, Nylon 66 (94-V2)
Actuator	Black, Nylon 66 (94-V2)
Terminals	Silver Plated, Copper Alloy
Hot Stamping	White Point
Operation Temperature	-25°C~85°C

Rev	Date of issue	Revision Notes	Designed	Approved
B	06-08-2021	Initial Drawing	RC	OF