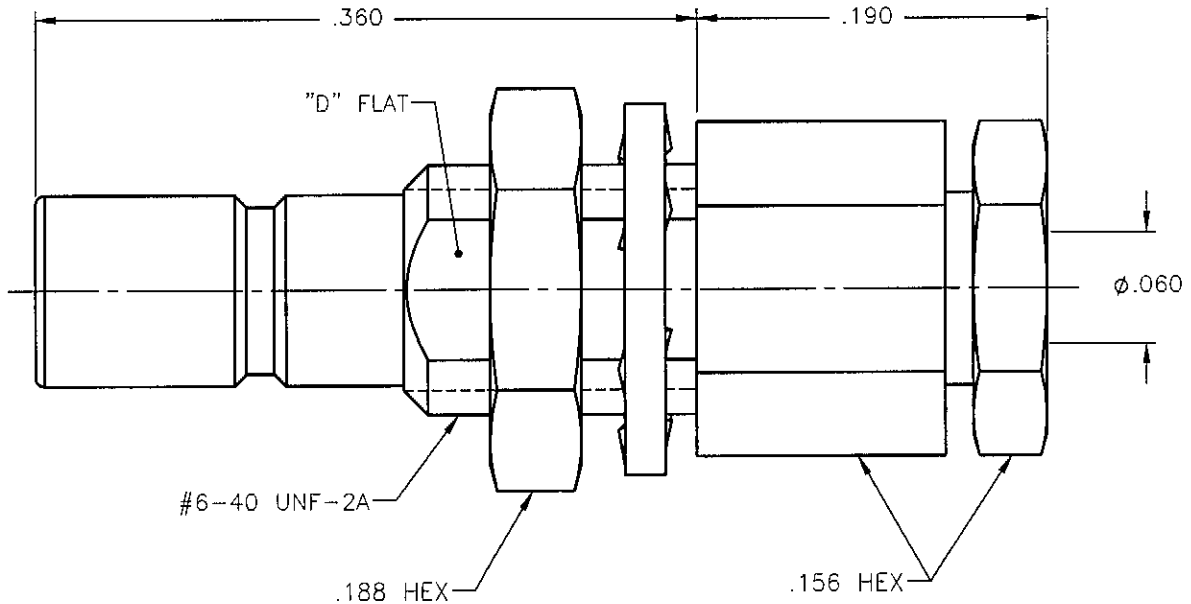


REVISIONS			
REV.	DESCRIPTION	DATE	APPROVED
A	ECO #7417	01/09/09	M.J.



NOTES:


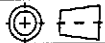
MATERIALS:

1. INSULATORS = VIRGIN WHITE TEFLON PER ASTM D1710, GRADE 1, TYPE I, CLASS "B".
2. CONTACT = BERYLLIUM COPPER PER ASTM B196, ALLOY C17300, TEMPER TD04.
3. LOCKWASHER = PHOSPHOR BRONZE PER ASTM B139, COPPER ALLOY C53400, TEMPER H04.
4. ALL OTHER METAL PARTS = BRASS PER ASTM B16, ALLOY C36000, TEMPER H02.

FINISHES:

1. CONTACT = GOLD PLATE PER MIL-G-45204, TYPE II, CLASS 1, GRADE C, OVER .00010 TO .00020 STRESS FREE SULFAMATE NICKEL PER QQ-N-290.
2. ALL OTHER METAL PARTS = GOLD PLATE PER MIL-G-45204, TYPE II, CLASS 0, GRADE C, OVER .00010 TO .00020 COPPER STRIKE PER MIL-C-14550.

Property of Radiall Incorporated
 This document cannot be reproduced or
 communicated to a third party without prior
 written permission of RADIALL Incorporated.

UNLESS OTHERWISE SPECIFIED DIMENSIONS ARE IN INCHES TOLERANCES ON	DWN:	DATE	 APPLIED ENGINEERING PRODUCTS 104 John W. Murphy Dr. New Haven, CT 06513 <i>a RADIALL company</i>
	M.J.	01/09/09	
DECIMAL	ANGLE	CHKD:	SSMB STRAIGHT JACK SOLDER TYPE FOR .056 SEMI-RIGID & SIMILAR CABLES
		D.N.	
REFERENCE:	MATERIALS & FINISHES:	APVD:	SIZE FSCM NO. DWG NO. REV A 19505 7203-1541-021 A
ORIGINATED: D.N. DATE: 09/27/83	SEE NOTES	J.M.	SCALE 10:1 THIRD ANGLE PROJECTION  SHEET 1 OF 1

7203-1541-021