



1 Watt RF Load Up to 34.5 GHz with 3.5mm Male

RF Terminations Technical Data Sheet

PE6TR1110

Features

- 50 Ohm RF Load
- DC to 34.5 GHz Frequency Range
- VSWR 1.25:1 Max
- Max Power 1 Watt (CW)
- 3.5mm Male Coaxial Interface

Applications

- Wireless
- Radar Systems
- Commercial and Military Communication
- SatCom
- Test and Measurement

Description

RF termination (also called RF load or dummy load) PE6TR1110 from Pasternack operates from DC to 34.5 GHz and handles up to 1 Watt (CW). This 3.5mm termination (or load) is a 50 Ohm impedance and has a Male gender. PE6TR1110 50 Ohm 3.5mm load termination offers 1.25:1 max VSWR. RF terminations / loads are critical passive components in many RF, microwave and millimeter wave systems where signal reflection from unused ports can reduce the signal integrity can potentially damage the device. By terminating an unused port with a matched load (dummy load), the incident energy will be absorbed with minimal reflection. These radio frequency termination components are commonly used to terminate devices such as couplers, circulators, and switches. Loads / terminations are also widely used in measurement systems to ensure accurate results. Pasternack offers a large selection of in-stock RF, microwave and millimeter wave terminations up to 65 GHz with great performance over the entire operating range and with power handling capabilities up to 800 Watts (CW).

Electrical Specifications

Description	Minimum	Typical	Maximum	Units
Frequency Range	DC		34.5	GHz
Impedance		50		Ohms
VSWR			1.25:1	
Input Power (CW)			1	Watt

Mechanical Specifications

Size

Length	0.8 in [20.32 mm]
Width	0.31 in [7.87 mm]

Configuration

Connector	3.5mm Male
Hex Size	5/16 inch
Durability	500 Cycles

Click the following link (or enter part number in "SEARCH" on website) to obtain additional part information including price, inventory and certifications: [1 Watt RF Load Up to 34.5 GHz with 3.5mm Male PE6TR1110](#)



1 Watt RF Load Up to 34.5 GHz with 3.5mm Male

RF Terminations Technical Data Sheet

PE6TR1110

Material Specifications

Description	Material	Plating
Connector 1 Contact	Beryllium Copper	Gold
Body	Passivated Stainless Steel	
Coupling Nut	Passivated Stainless Steel	

Mechanical Specification Notes:
Interface: IEC 60169-23

Environmental Specifications

Temperature

Operating Range

-55 to +105 deg C

Humidity

MIL-STD-202, Method 106

Thermal Shock

MIL-STD-202, Method 107, Condition B

Salt Spray

MIL-STD-202, Method 101, Condition B

Compliance Certifications (see [product page](#) for current document)

Plotted and Other Data

Notes:

1 Watt RF Load Up to 34.5 GHz with 3.5mm Male from Pasternack Enterprises has same day shipment for domestic and International orders. Our RF, microwave and millimeter wave products maintain a 99.4% availability and are part of the broadest selection in the industry.

Click the following link (or enter part number in "SEARCH" on website) to obtain additional part information including price, inventory and certifications: [1 Watt RF Load Up to 34.5 GHz with 3.5mm Male PE6TR1110](#)

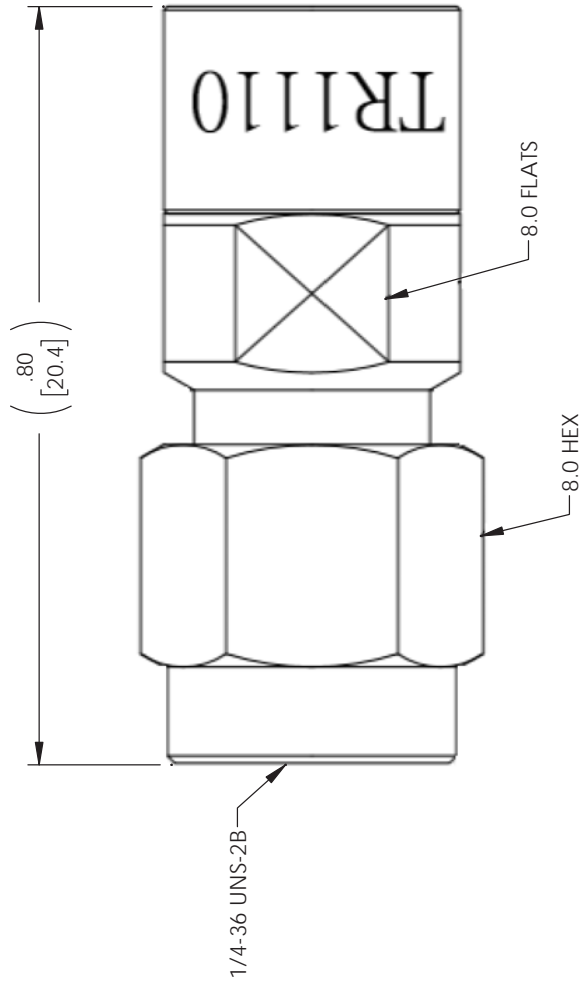
URL: <https://www.pasternack.com/1-watts-3.5mm-male-rf-load-34.5-ghz-pe6tr1110-p.aspx>

The information contained in this document is accurate to the best of our knowledge and representative of the part described herein. It may be necessary to make modifications to the part and/or the documentation of the part, in order to implement improvements. Pasternack reserves the right to make such changes as required. Unless otherwise stated, all specifications are nominal. Pasternack does not make any representation or warranty regarding the suitability of the part described herein for any particular purpose, and Pasternack does not assume any liability arising out of the use of any part or documentation.

PE6TR1110 CAD Drawing

1 Watt RF Load Up to 34.5 GHz with 3.5mm Male

REVISIONS			
REV.	DESCRIPTION	DATE	APPROVED
A	INITIAL RELEASE	01/05/2021	SPONG



UNLESS OTHERWISE SPECIFIED LEADING DIMENSIONS ARE IN INCHES DIMENSIONS IN [] ARE IN MILLIMETERS

TOLERANCES:

X = +.2 [5.08] FRACTIONS
 XX = +.02 [.51] +.132
 .XXX = ±.005 [.13] ANGLES ± 1°

CABLE LENGTH (L) TOLERANCES:

L ≤ 12 [305] = +.1 [25] / -0
 12 [305] < L ≤ 60 [1524] = +.2 [51] / -0
 60 [1524] < L ≤ 120 [3048] = +.4 [102] / -0
 120 [3048] < L ≤ 300 [7620] = +.6 [152] / -0
 300 [7620] < L = +5% / -0

ALL DIMENSIONS SHOWN ARE FOR REFERENCE ONLY.

(PE) PASTERNAK
 an INFINIT® brand

Pasternack Enterprises, Inc.
 P. O. Box 16759, Irvine, CA 92623.
 Phone: 1.949.261.1920 | 1.866.727.8376
 Fax: 1.949.261.7451
 Website: www.pasternack.com
 E-mail: sales@pasternack.com

THIRD-ANGLE PROJECTION

THE INFORMATION AND DESIGN IN THIS DOCUMENT IS THE PROPERTY OF PASTERNAK CORPORATION. ALL RIGHTS RESERVED.

SHEET 1 OF 1

SCALE N/A

REV A

ITEM NO. PE6TR1110

DRAWN BY DFRISIELLO

CAGE CODE A 53919

SIZE A

THESE COMMODITIES, TECHNOLOGY OR SOFTWARE WERE EXPORTED FROM THE UNITED STATES IN ACCORDANCE WITH THE EXPORT ADMINISTRATION REGULATIONS. DIVERSION CONTRARY TO U.S. LAW PROHIBITED.