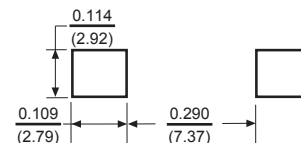
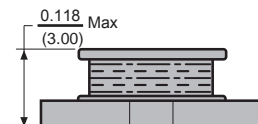
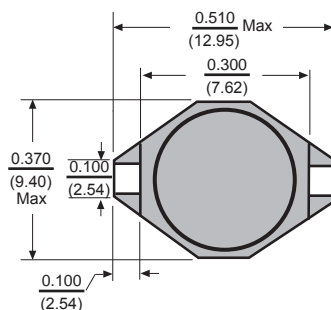




Power Chip Inductors PCI30

Dimensions: $\frac{\text{Inches}}{\text{(mm)}}$



Allied Part Number	Inductance (μh)	Tolerance (%)	DCR (Ω) Max.	Isat (A) Max.
PCI30-1R0M-RC	1.0	20	0.024	5.15
PCI30-4R7M-RC	4.7	20	0.036	4.20
PCI30-6R8M-RC	6.8	20	0.060	3.90
PCI30-8R2M-RC	8.2	20	0.080	2.42
PCI30-100M-RC	10	20	0.110	2.40
PCI30-150M-RC	15	20	0.120	2.30
PCI30-220M-RC	22	20	0.180	1.80
PCI30-330M-RC	33	20	0.250	1.60
PCI30-470M-RC	47	20	0.320	1.30
PCI30-680M-RC	68	20	0.540	1.10
PCI30-101M-RC	100	20	0.690	0.87
PCI30-151M-RC	150	20	0.940	0.74
PCI30-221M-RC	220	20	1.600	0.56
PCI30-331M-RC	330	20	2.150	0.50
PCI30-471M-RC	470	20	3.300	0.40
PCI30-681M-RC	680	20	4.400	0.33
PCI30-821M-RC	820	20	5.800	0.15
PCI30-102M-RC	1000	20	8.400	0.10

All specifications subject to change without notice.

Features

- Low Profile
- Designed with high heat resistant materials for reflow operation
- Wrap around terminals for excellent solder quality and inspection
- Flat top for pick and place assembly
- Non-standard values available

Electrical

Inductance Range: 1.0 μh to 1000 μh .

Tolerance: $\pm 20\%$ over the entire inductance range.

Test Frequency: Inductance measured at 100KHz, 0.1 Vrms.

Operating Temp. Range: -40° to $+125^{\circ}\text{C}$

Saturation Rated Current: The current when the inductance becomes 10% lower than its initial value. ($T_a=25^{\circ}\text{C}$)

Physical

Marking: EIA Inductance Code

Packaging: 1000 pieces per 13 inch reel.